

REPAIR PARTS LIST

S - 54

FOR



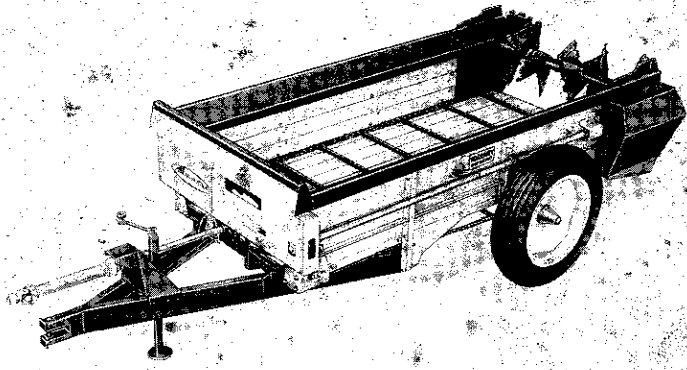
- 211 SPREADER BOX
- 212 SPREADER BOX
- 213 SPREADER BOX
- 214 SPREADER BOX
- 215 CYLINDER/PADDLE
- 216 FLAIL
- 217 SINGLE BEATER
- 218 SPREADER BOX
WITH SINGLE BEATER

EFFECTIVE JUNE 1, 1973



COLUMBIANA OHIO 43026 U.S.A.

986341

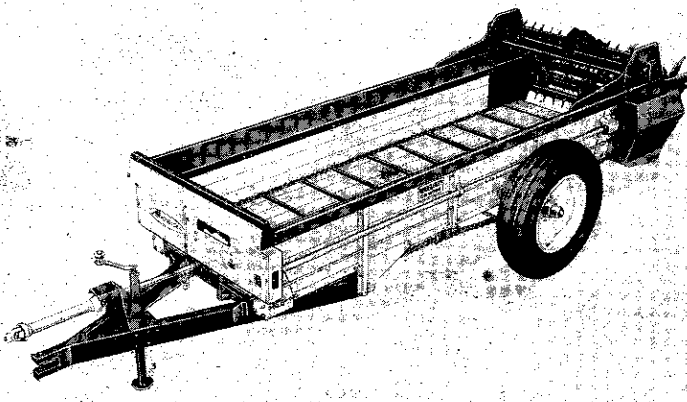
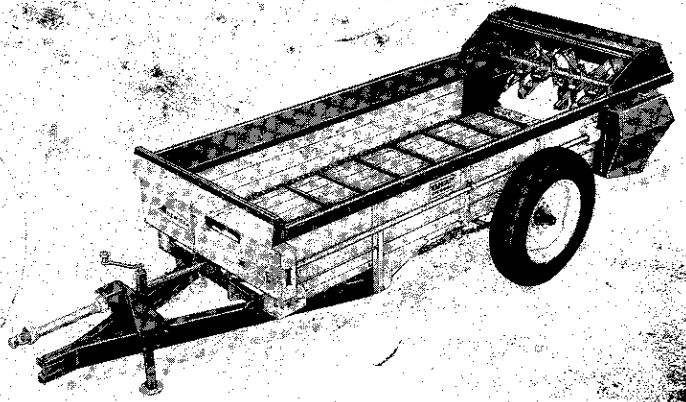


THE NO. 217 SINGLE BEATER SPREADER SHOWN WITH NO. 212 BOX, ALSO USED WITH NO. 211 AND 214 BOX

| | <u>YEAR BUILT</u> |
|---------|-------------------|
| NO. 217 | 1972- |
| NO. 211 | 1967- |
| NO. 213 | 1967- |
| NO. 214 | 1967- |
| NO. 217 | 1967- |

THE NO. 216 FLAIL SPREADER SHOWN WITH NO. 213 BOX, ALSO USED WITH NO. 212 AND 214 BOX.

| | <u>YEAR BUILT</u> |
|---------|-------------------|
| NO. 212 | 1967- |
| NO. 213 | 1967- |
| NO. 214 | 1967- |
| NO. 216 | 1967- |



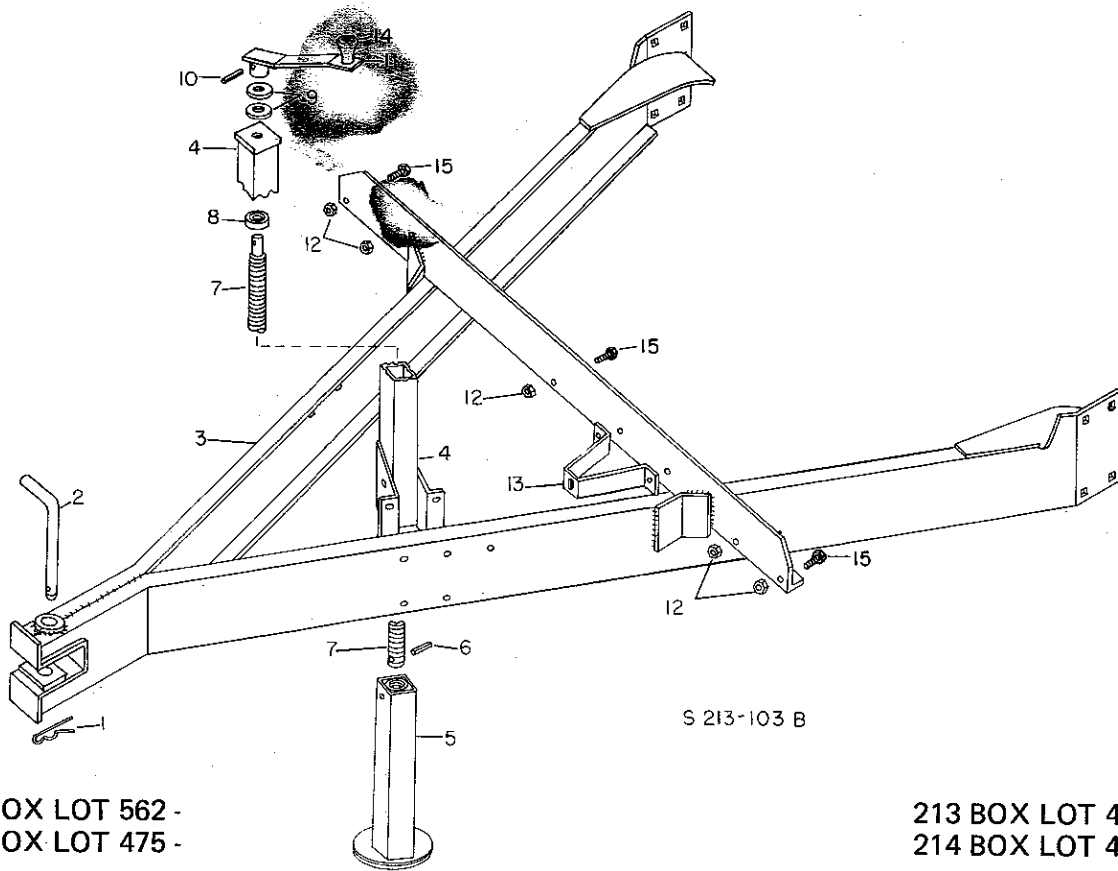
THE NO. 215 CYLINDER/PADDLE SPREADER SHOWN WITH NO. 214 BOX, ALSO USED WITH NO. 212 AND 213 BOX.

| | <u>YEAR BUILT</u> |
|---------|-------------------|
| NO. 212 | 1967- |
| NO. 213 | 1967- |
| NO. 214 | 1967- |
| NO. 215 | 1967- |

INDEX TO REPAIR PARTS

| SUBJECT | PAGE | SUBJECT | PAGE |
|--|----------|--|----------|
| Hitch and Jack | 4 | No. 216 Flail Cylinder Side Sheets and Hood | 27-28 |
| Endgate, Sides and Flare Boards | 5-6 | No. 216 Gear Case | 28-29 |
| P.T.O. and Drive Shafts | 7-8 | No. 216 Feed Ratchet Wheel | 30-31 |
| Bottom - For No. 211 Box | 8-9 | No. 217 Cylinder and Side Sheets | 32 |
| Bottom - For No. 212 Box | 9-10 | No. 217 Gear Case | 33-34 |
| Bottom - For No. 213 Box | 10-11 | No. 217 Feed Ratchet Wheel | 35-36 |
| Bottom - For No. 214 Box | 11-12 | No. 217 Pan (Optional) | 37-38 |
| P.T.O. Break Down of Parts | 12-13 | No. 217 Upper Cylinder (Optional) | 39 |
| Front Panel and Lever | 14 | No. 215, 216 and 217 Spreader Hydraulic Endgate (Optional) | 40-41-42 |
| Main Axle | 15-16 | No. 215 Poultry Litter Attachment (Optional) | 42 |
| Feed Shaft and Conveyor | 17-18-19 | No. 215 and 216 Mechanical Endgate (Optional) | 43-44 |
| No. 215 Lower Cylinder and Side Sheets | 20-21 | Chains and Paint | 63-64 |
| No. 215 Upper Cylinder | 21-22 | Package Goods | 65-68 |
| No. 215 Distributor | 22 | Index | 69-73 |
| No. 215 Gear Case | 23-24 | | |
| No. 215 Feed Ratchet Wheel | 24-25-26 | | |

HITCH AND JACK

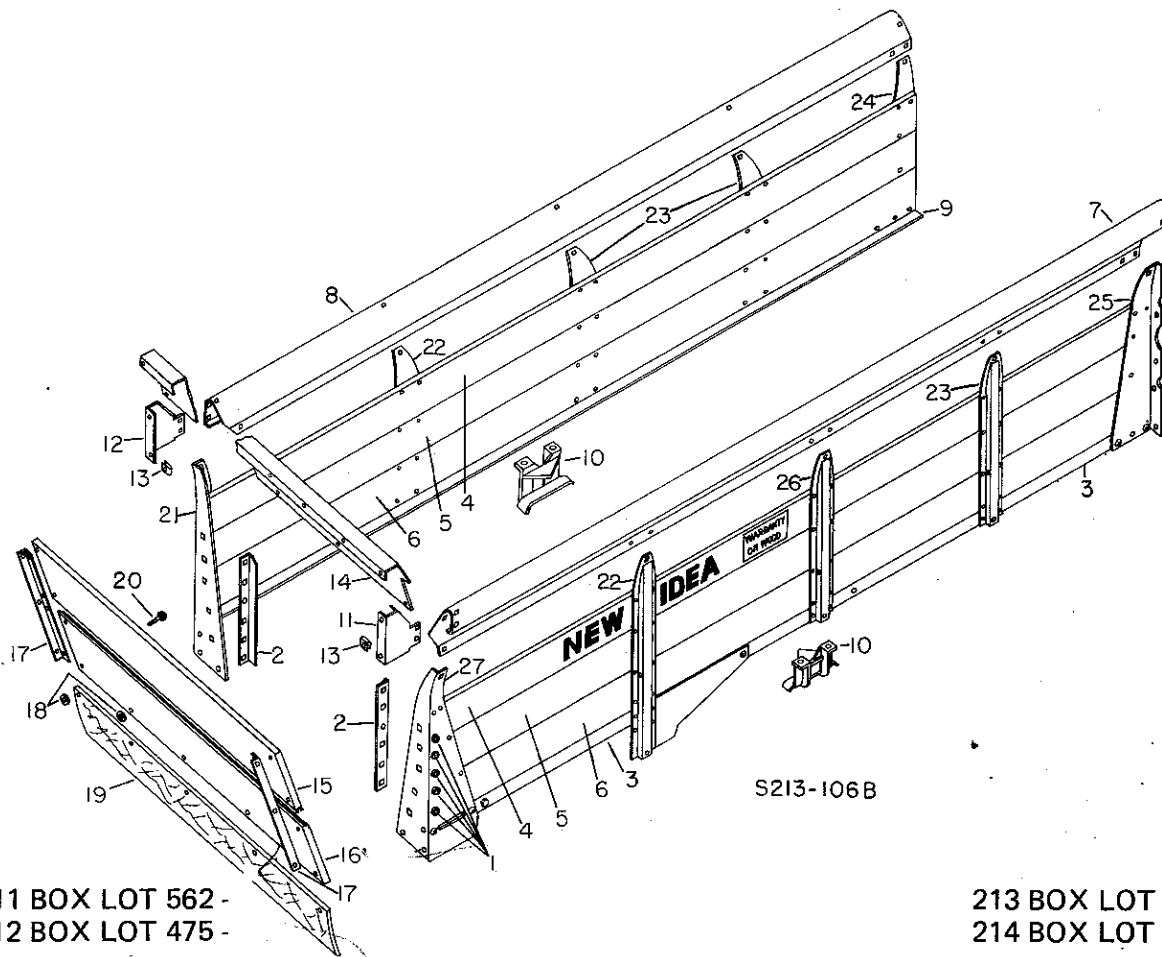


211 BOX LOT 562 -
212 BOX LOT 475 -

213 BOX LOT 476 -
214 BOX LOT 477 -

| Key | Part No. | Description | Used | Lot No. |
|-----|----------|--|------|---------|
| 1 | 2629 P | Pin Clip | 1 | 475- |
| 2 | 0467 HS | Hitch Pin, 3/4 x 8-7/8" long, (Order 203652) | 1 | 475-477 |
| | 203237 | Hitch Pin, 3/4 x 8-7/8" long, (Order 203652) | 1 | 481-483 |
| | 203652 | Hitch Pin, 3/4 x 8-7/8" long, hardened | 1 | 489- |
| 3 | 204470 | Hitch assembly (211 Box) | 1 | 562- |
| | 202660 | Hitch assembly (212 Box) | 1 | 475- |
| | 202682 | Hitch assembly (213 & 214 Box) | 1 | 476- |
| | 011037 | Machine bolt, 5/8 x 1" | 5 | |
| | 013843 | Carriage bolt, 1/2 x 1-1/4" | 4 | |
| | 013841 | Carriage bolt, 1/2 x 1" | 4 | |
| | 013613 | Machine bolt, 1/2 x 1-1/4" | 2 | |
| 4 | 202673 | Upper tube assembly | 1 | 475- |
| | 202669 | Jack assembly complete | 1 | 475- |
| | 014077 | Bolt, machine, 1/2 x 1" | 5 | |
| | 013613 | Bolt, machine, 1/2 x 1-1/4" | 2 | |
| 5 | 202677 | Jack shoe assembly | 1 | 475- |
| 6 | K 4476 | Roll pin, 5/32 x 3/4" | 1 | 475- |
| 7 | 202681 | Lift rod, 17" long | 1 | 475- |
| 8 | 011448 | Bearing thrust, 5/8" I.D. x 1-5/8" O.D. | 1 | 475- |
| 9 | K 4636 | Washer, 21/32" I.D. x 1-3/8" O.D. x 1/16" | 2 | 475- |
| 10 | K 3468 | Roll pin, 3/16 x 7/8" | 1 | 475- |
| 11 | 202670 | Handle assembly (order 203282) | 1 | 475-551 |
| | 203282 | Handle assembly | 1 | |
| 12 | 010032 | Locknut, 5/8" | 5 | 475- |
| 13 | 202970 | Pivot support | 1 | 475- |
| 14 | 122-ME-1 | Knob for handle | | |
| | 013044 | Rivet, 5/8 x 2" | | |
| 15 | 011037 | Machine bolt, 5/8 x 1" (Grade 5) | 5 | 475- |

ENDGATE, SIDES AND FLARE BOARDS



211 BOX LOT 562 -
212 BOX LOT 475 -

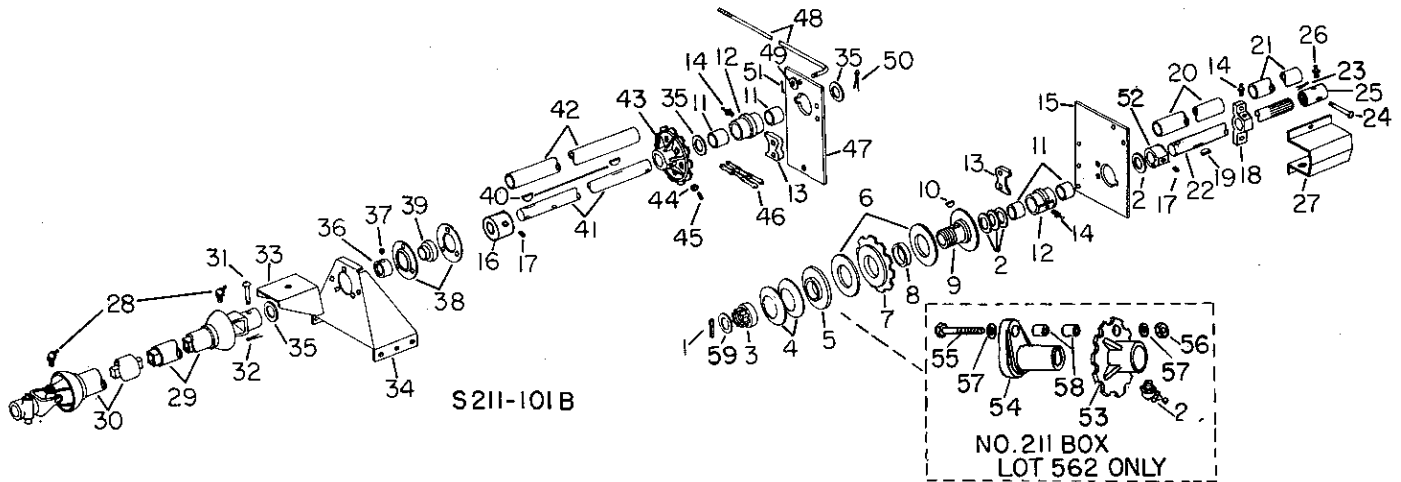
213 BOX LOT 476 -
214 BOX LOT 477 -

| Key | Part No. | Description | Used | Lot No. |
|-----|----------|--|------|---|
| 1 | 010163 | Locknut, 3/8" | 10 | 475- |
| 2 | 202731 | Backup angle | 2 | 475- |
| | 013826 | Carriage bolt, 3/8 x 1-1/2" | 10 | |
| 3 | 202740 | Left side assembly, complete (211 Box) | 1 | 562- |
| | 202756 | Left side assembly, complete (212 Box) | 1 | 475- |
| | 202764 | Left side assembly, complete (213 Box) | 1 | 476- |
| | 202771 | Left side assembly, complete (214 Box) | 1 | 477- |
| 4 | 202715 | Top side board, left or right, 5-15/32" x 81-15/16" x 3/4" (211 Box) (used with three board side assembly) | 2 | |
| | 205066 | Top side board, left or right, 7-7/32" x 81-15/16" x 3/4" (211 Box) (used with two board side assembly) | 2 | |
| | 202716 | Top side board, left or right, 5-15/32" x 105-15/16" x 3/4" (212 Box) (used with three board side assembly) | 2 | NOTE: CHECK SIZE OF BOARDS WHEN ORDERING |
| | 205067 | Top side board, left or right, 7-7/32" x 105-15/16" x 3/4" (212 Box) (used with two board side assembly) | 2 | |
| | 202717 | Top side board, left or right, 5-15/32" x 129-15/16" x 3/4" (213 Box) (used with three board side assembly) | 2 | |
| | 205068 | Top side board, left or right, 7-7/32" x 129-15/16" x 3/4" (213 Box) (used with two board side assembly) | 2 | |
| | 202718 | Topside board, left or right, 5-15/32" x 153-15/16" x 3/4" (214 Box) (used with three board side assembly) | 2 | |
| | 205069 | Top side board, left or right, 7-7/32" x 153-15/16" x 3/4" (214 Box) (used with two board side assembly) | 2 | |
| 5 | 202719 | Center Side Board, left or right, 5-5/16" x 81-15/16" x 3/4" (211 Box) (used with three board side assembly) | 2 | |
| | 202720 | Center Side Board, left or right, 5-5/16" x 105-15/16" x 3/4" (212 Box) (used with three board side assembly) | 2 | |
| | 202721 | Center Side Board, left or right, 5-5/16" x 129-15/16" x 3/4" (213 Box) (used with three board side assembly) | 2 | |
| | 202722 | Center Side Board, left or right, 5-5/16" x 153-15/16" x 3/4" (214 Box) (used with three board side assembly) | 2 | |

ENDGATE, SIDES AND FLARE BOARDS (Con't.)

| Key | Part No. | Description | Used | Lot No. | |
|-----|----------|--|------|---|------|
| 6 | 202723 | Bottom side board, left or right, 5-5/16" x 81-15/16" x 3/4" (211 Box) (used with three board side assembly) | 2 | NOTE: CHECK SIZE OF BOARDS WHEN ORDERING | |
| | 205062 | Bottom side board, left or right, 9-1/16" x 81-15/16" x 3/4" (211 Box) (used with two board side assembly) | 2 | | |
| | 202724 | Bottom side board, left or right, 5-5/16" x 105-15/16" x 3/4" (212 Box) (used with three board side assembly) | 2 | | |
| | 205063 | Bottom side board, left or right, 9-1/16" x 105-15/16" x 3/4" (212 Box) (used with two board side assembly) | 2 | | |
| | 202725 | Bottom side board, left or right, 5-5/16" x 129-15/16" x 3/4" (213 Box) (used with three board side assembly) | 2 | | |
| | 205064 | Bottom side board, left or right, 9-1/16" x 129-15/16" x 3/4" (213 Box) (used with two board side assembly) | 2 | | |
| | 202726 | Bottom side board, left or right, 5-5/16" x 153-15/16" x 3/4" (214 Box) (used with three board side assembly) | 2 | | |
| | 205065 | Bottom side board, left or right 9-1/16" x 153-15/16" x 3/4" (214 Box) (used with two board side assembly) | 2 | | |
| | 013100 | Rivet, truss hd., 5/16 x 1-3/16" | A.R. | | |
| | 013024 | Rivet, button hd., 3/8 x 3/4" | A.R. | | |
| | 013025 | Rivet, button hd., 3/8 x 7/8" | A.R. | | |
| | 013036 | Rivet, button hd., 1/2 x 7/8" | A.R. | | |
| 7 | 202736 | Flareboard, left, 84" long (211 Box) | 1 | | 562- |
| | 202755 | Flareboard, left, 108" long (212 Box) | 1 | | 475- |
| | 202763 | Flareboard, left, 132" long (213 Box) | 1 | 476- | |
| | 202770 | Flareboard, left, 156" long (214 Box) | 1 | 477- | |
| | 013822 | Carriage bolt, 3/8 x 3/4" | A.R. | | |
| | 013826 | Carriage bolt, 3/8 x 1-1/2" | A.R. | | |
| 8 | 202735 | Flareboard, right, 84" long (211 Box) | 1 | 562- | |
| | 202754 | Flareboard, right, 108" long (212 Box) | 1 | 475- | |
| | 202762 | Flareboard, right, 132" long (213 Box) | 1 | 476- | |
| | 202769 | Flareboard, right, 156" long (214 Box) | 1 | 477- | |
| | 013822 | Carriage bolt, 3/8 x 3/4" | A.R. | | |
| | 013826 | Carriage bolt, 3/8 x 1-1/2" | A.R. | | |
| 9 | 202714 | Right side assembly, complete (211 Box) | 1 | 562- | |
| | 202749 | Right side assembly, complete (212 Box) | 1 | 475- | |
| | 202759 | Right side assembly, complete (213 Box) | 1 | 476- | |
| | 202766 | Right side assembly, complete (214 Box) | 1 | 477- | |
| 10 | 202180 | Conveyor chain support, front (213 Box) (214 Box) | 2 | 476- | |
| 11 | 202952 | Filler, front, L.H. | 1 | 475- | |
| 12 | 202953 | Filler, front, R.H. | 1 | 475- | |
| 13 | 011452 | Speed nut, "U" type, 5/16" | 6 | 475- | |
| 14 | 202956 | Cover - front endgate | 1 | 475- | |
| | 013826 | Carriage bolt, 3/8 x 1-1/2" | 5 | | |
| 15 | 202948 | Top endgate board, 7-19/32 x 51-3/8 x 25/32" | 1 | 475- | |
| | 013825 | Carriage bolt, 3/8 x 1-1/4" | 2 | | |
| 16 | 202949 | Bottom endgate board, 7-5/16 x 51-3/8 x 25/32" | 1 | 475- | |
| | 013826 | Carriage bolt, 3/8 x 1-1/2" | 2 | | |
| | 013825 | Carriage bolt, 3/8 x 1-1/4" | 2 | | |
| 17 | 202950 | Endgate angle | 2 | 475- | |
| | 013826 | Carriage bolt, 3/8 x 1-1/2" | 6 | | |
| 18 | K 3004 | Washer, 13/32" I.D. x 13/16" O.D. x 1/16" thick | 3 | 475- | |
| 19 | 202951 | Endgate retainer strip, 51-5/8" long | 1 | 475- | |
| 20 | K 4104 | Step bolt, 3/8 x 1-1/2" | 5 | 475- | |
| 21 | 202729 | Front upright, R.H. (1) 211, 212, 213 and 214 Box | | 475- | |
| 22 | 202733 | Stake (2) 211, 212, 213 and 214 Box | | 475- | |
| 23 | 202753 | Stake (2) on 211 Box (1) on 212 Box | | | |
| | | Stake (3) on 213 and 214 Box | | 475- | |
| 24 | 202730 | Rear upright side angle, R.H. (1) 211, 212, 213 and 214 Box | | 475- | |
| 25 | 202742 | Rear upright side angle, L.H. (1) 211, 212, 213 and 214 Box | | 475- | |
| 26 | 202757 | Stake assembly (1) 212, 213 and 214 Box | | 475- | |
| 27 | 202741 | Front upright, L.H. (1) 211, 212, 213 and 214 Box | | 475- | |

P.T.O. AND DRIVE SHAFTS



211 BOX LOT 562 -
212 BOX LOT 475 -

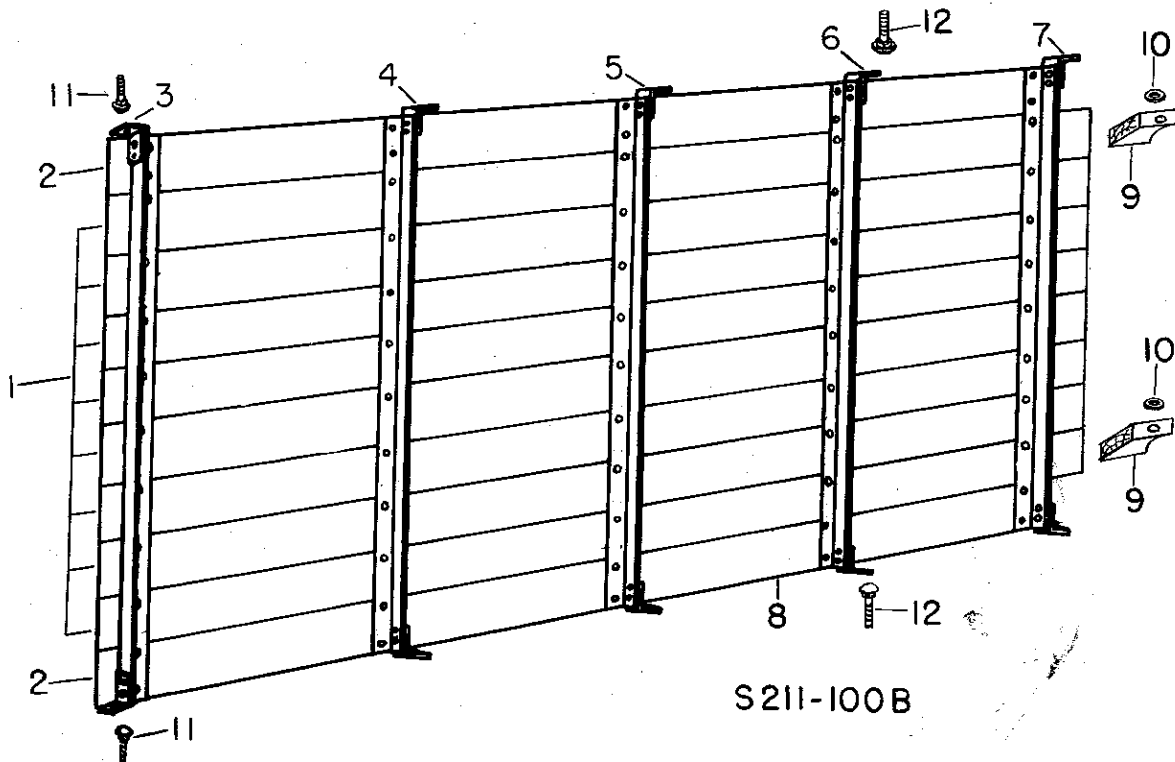
213 BOX LOT 476 -
214 BOX LOT 477 -

| Key | Part No. | Description | Used | Lot No. |
|-----|----------|---|------|---------|
| 1 | K 3169 | Roll pin, 5/16 x 1-3/4" | 1 | 475- |
| 2 | 010512 | Washer, 1-5/32" I.D., x 2" O.D., x 1/16" | 6 | 475- |
| 3 | 17 WB-1 | Slip clutch nut | 1 | 475- |
| 4 | 0149 WB | Spring washer for slip clutch, 2-29/32" I.D., 5-1/4" O.D. | 2 | 475- |
| 5 | 200012 | Slip clutch plate | 1 | 475- |
| 6 | K 3121 | Clutch facing, 3-1/4" I.D., 5-3/4" O.D., x 1/8" | 2 | 475- |
| 7 | 290623 | 15 tooth sprocket assembly, 2-1/2" bore with K 3491 bushing for #2060, 1-1/2 pitch roller chain | 1 | 475- |
| 8 | K 3491 | Bearing, bronze, 2" I.D., x 2-1/2" O.D., x 7/16" | 1 | 475- |
| 9 | 200013 | Slip clutch hub keywayed, 1-1/8" bore | 1 | 475- |
| 10 | 011253 | Key, #9 woodruff, 3/16" thick, 3/4" long | 1 | 475- |
| 11 | K 3104 | Bearing, bronze, 1-1/8" I.D., 1-3/8" O.D. x 1-1/8" | 4 | 475- |
| 12 | 202700 | Drive shaft bearing assembly with K 3104 bearing | 2 | 475- |
| 13 | 202702 | Bearing keeper | 2 | 475- |
| | 018825 | Carriage bolt, 3/8 x 1-1/4" | 4 | |
| 14 | 011962 | Grease fitting, 1/8 N.P.T. | 3 | 475- |
| 15 | 202699 | Clutch support plate | 1 | 475- |
| | 013929 | Carriage bolt, 3/8 x 3/4" | 3 | |
| 16 | 203527 | Shaft Stop | 1 | 475- |
| 17 | K 1169 | Setscrew, 3/8 x 1/2" hollow head cup point | 2 | 475- |
| 18 | 203064 | Main drive shaft bearing | 1 | 475- |
| | 013586 | Bolt, machine, 3/8 x 1-1/4" | 2 | |
| 19 | 011276 | Key #27 woodruff, 1/4 x 2-1/8" | 1 | 475- |
| 20 | 202707 | Shield tube, 1-3/16" I.D. x 66-1/2" (212 Box) (213 Box) | 1 | 475- |
| | 202713 | Shield tube, 1-3/16" I.D. x 69-1/2" (214 Box) | 1 | 477- |
| 21 | 202710 | Shield tube, 1-3/16" I.D. x 72-1/2" (211 Box) | 1 | 562- |
| | 202708 | Shield tube, 1-3/16" I.D. x 28-5/16" (212 Box) | 1 | 475- |
| | 202711 | Shield tube, 1-3/16" x 52-5/16" (213 Box) | 1 | 476- |
| | 202712 | Shield tube, 1-3/16" x 73-5/16" (214 Box) | 1 | 477- |
| 22 | 202703 | Main drive shaft, 1-1/8" dia. x 81-7/8" splined (211 Box) | 1 | 562- |
| | 202704 | Main drive shaft, 1-1/8" dia. x 105-7/8" splined (212 Box) | 1 | 475- |
| | 202705 | Main drive shaft, 1-1/8" dia. x 129-7/8" splined (213 Box) | 1 | 476- |
| | 202706 | Main drive shaft, 1-1/8" dia. x 153-7/8" splined (214 Box) | 1 | 477- |
| 23 | 010209 | Cotter pin, 3/32 x 1/2" | 1 | 475- |
| 24 | 018144 | Rivet, drilled, 1/4 x 2" button hd. | 1 | 475- |
| 25 | 200403 | Coupling, 1-3/4" O.D. x 4" splined (order 203526) | 1 | 475-490 |
| | 203526 | Coupling, 1-3/4" O.D. x 4" splined | 1 | 491- |
| 26 | 011976 | Grease fitting, 1/4 - 28 N.S.T. | 1 | 475- |
| 27 | 202962 | Coupling shield | 1 | 475- |
| 28 | 011967 | Grease fitting, 1/8" N.P.T., 67-1/2 degree | 3 | 475- |
| 29 | K 4702A | Telescoping P.T.O. drive, rear half (Rockwell Standard) | 1 | 475- |
| | 010518 | Telescoping P.T.O. drive, rear half (Chain Belt-Rex) | 1 | 475- |
| 30 | K 4701A | Telescoping P.T.O. drive, front half (Rockwell Standard) 540 R.P.M. | 1 | 475- |
| | 010517 | Telescoping P.T.O. drive, front half (Chain Belt-Rex) 540 R.P.M. | 1 | 475- |

P.T.O. AND DRIVE SHAFTS (Con't.)

| Key | Part No. | Description | Used | Lot No. |
|-----|----------|---|------|----------|
| 31 | 013154 | Rivet, drilled, 5/16 x 2-1/4" | 1 | 475- |
| 32 | 010214 | Cotter pin, 1/8 x 3/4" | 1 | 475- |
| 33 | 202960 | Support cover | 1 | 475- |
| | 013929 | Carriage bolt, 3/8 x 3/4" | 2 | |
| 34 | 202957 | Bearing support | 1 | 475- |
| 35 | 010512 | Washer, 1-5/32" I.D., x 2" O.D., x 1/16" | A.R. | 475- |
| 36 | K 3518 | Locking collar, 1-1/8" I.D. | 1 | 475- |
| 37 | K 1169 | Setscrew, 3/8 x 1/2" allen head cup point | 1 | 475- |
| 38 | K 5032 | Bearing housing (flangette) | 2 | 475- |
| | 013931 | Bolt, carriage, 3/8 x 1" | 3 | |
| 39 | K 3501 | Bearing ball, 1-1/8" I.D. | 1 | 475- |
| 40 | 011273 | Key #21 woodruff, 1/4 x 1-1/4" | 2 | 475- |
| 41 | 202959 | Power shaft (front) 1-1/8" dia. x 33-29/32" long | 1 | 475- |
| 42 | 202709 | Shield tube, 1-3/16" I.D. x 23-1/8" | 1 | 475- |
| 43 | 201589 | Sprocket, 15 tooth, 1-1/8" bore, keywayed for # 2060, 1-1/2" pitch | | |
| | | roller chain, 540 R.P.M. P.T.O. | 1 | 475- |
| | 201591 | 8 tooth sprocket, 1-1/8" bore, keywayed, 1000 R.P.M. | 1 | 475- |
| 44 | K 579 | Nut, jam, 1/2" - 13 | 1 | 475- |
| 45 | 010629 | Setscrew, hollow head cup point, 1/2 x 1-1/4" | 1 | 475- |
| 46 | 203027 | Front drive #2060 chain assembly complete, 1-1/2 pitch, 55 total pitches (For repair of chain see page 63) | 1 | 475- |
| 47 | 202958 | Rear power shaft support | 1 | 475- |
| | 013613 | Bolt, machine, 1/2 x 1-1/4" | 1 | |
| 48 | 202961 | Adjustment rod, 1/2" dia. x 29" | 1 | 475- |
| 49 | K 3038 | Washer, 17/32" I.D. x 1-1/16" O.D. x 3/32" | 1 | 475- |
| 50 | 010232 | Cotter pin, 3/16 x 1-3/4" | 1 | 475- |
| 51 | 010229 | Cotter pin, 3/16 x 1" | 1 | 475- |
| 52 | 79 SR | Stop for drive shaft bearing | 1 | 475- |
| 53 | 201800 | 15 tooth sprocket, 2-1/64" I.D. (with shear pin bushing) (211 Box) | 1 | 562 only |
| 54 | 201802 | Shear pin hub, 2" O.D., 1-1/8" I.D. (with shear pin bushing) (211 Box) | 1 | 562 only |
| 55 | K 5012 | Shear bolt, 1/4 x 2" (hardened) (211 Box) | 1 | 562 only |
| 56 | 010161 | Locknut, 1/4" - 20 (211 Box) | 1 | 562 only |
| 57 | K 2878 | Washer, 5/16" I.D. x 3/4" O.D. x 3/64" thick (211 Box) | 2 | 562 only |
| 58 | 301077 | Bushing, 5/8" O.D. x 9/32" I.D. x 3/4" long (211 Box) | 2 | 562 only |
| 59 | 010654 | Washer, 1-5/32" I.D. x 2-1/2" O.D. x 1/16" thick (211 Box) | 2 | 562 only |

BOTTOM—FOR No. 211 BOX

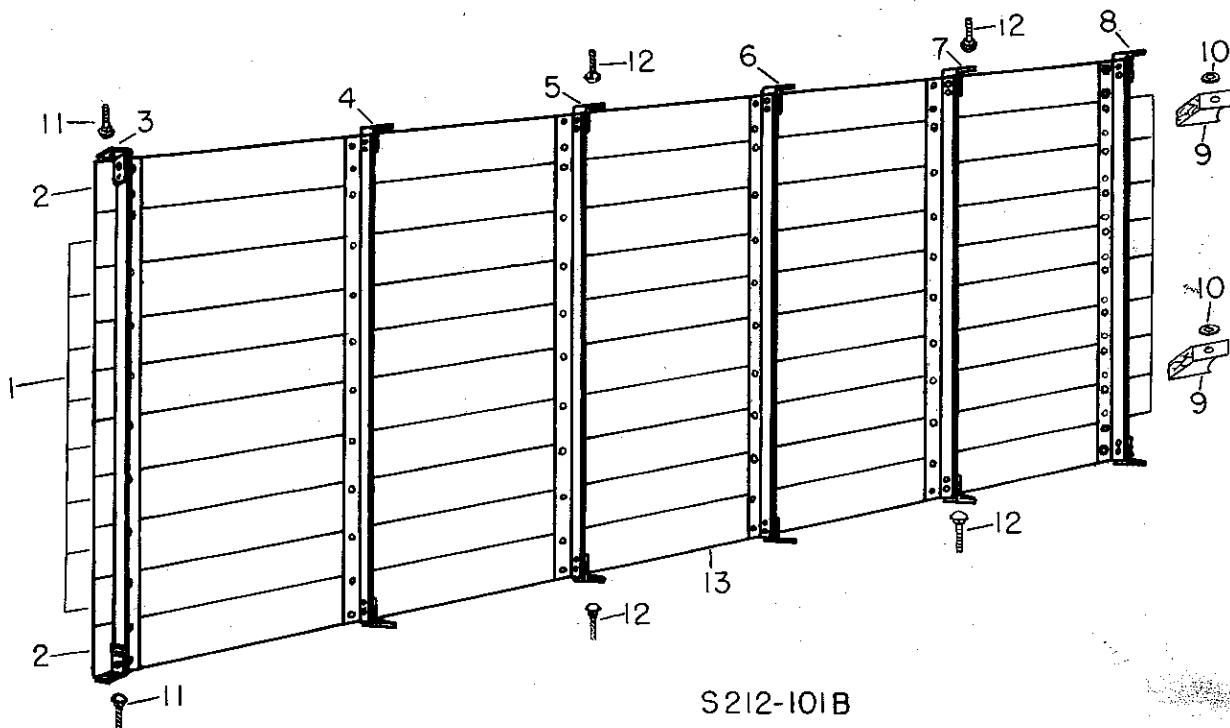


211 BOX LOT 562 -

BOTTOM—FOR No. 211 BOX (Con't.)

| Key | Part No. | Description | Used | Lot No. |
|-----|----------|--|------|---|
| 1 | 203054 | Center Boards, 5-15/32" x 91" long | 8 | NOTE: CHECK SIZE OF BOARDS WHEN ORDERING |
| | 205190 | Center Boards, 7-7/32" x 91" long | 6 | |
| 2 | 202630 | Outside Boards, Tapered, 5-1/4" x 4-1/2" x 91" long (used with 5-19/32" width boards) | 2 | |
| | 204593 | Outside Boards, Tapered, 5-3/4" to 5" x 91" long (used with 5-15/32" width boards) | 2 | |
| | 205182 | Outside Boards, Tapered, 5-1/2" to 4-3/4" x 91" long (used with 7-7/32" width boards) | 2 | |
| 3 | 202605 | Front Bottom Cross Angle Assembly, 1-1/2" x 2" x 52-25/52" long (used with 5-15/32" width boards) | 1 | |
| | 205157 | Front Bottom Cross Angle Assembly, 1-1/2" x 2" x 52-25/32" long (used with 7-7/32" width boards) | 1 | |
| 4 | 202612 | Second Bottom Cross Angle Assembly, 1-1/2" x 2" x 53-7/32" long (used with 5-15/32" width boards) | 1 | |
| | 205160 | Second Bottom Cross Angle Assembly, 1-1/2" x 2" x 53-7/32" long (used with 7-7/32" width boards) | 1 | |
| 5 | 202616 | Third Bottom Cross Angle Assembly, 1-1/2" x 2" x 53-3/4" long (used with 5-15/32" width boards) | 1 | |
| | 205164 | Third Bottom Cross Angle Assembly, 1-1/2" x 2" x 53-3/4" long (used with 7-7/32" width boards) | 1 | |
| 6 | 202619 | Fourth Bottom Cross Angle Assembly, 1-1/2" x 2" x 54-3/16" long (used with 7-7/32" width boards) | 1 | |
| | 205167 | Fourth Bottom Cross Angle Assembly, 1-1/2" x 2" x 54-3/16" long (used with 7-7/32" width boards) | 1 | |
| 7 | 202608 | Rear Bottom Cross Angle Assembly, 1-1/2" x 2" x 53" long (used with 5-15/32" width boards) | 1 | |
| | 205168 | Rear Bottom Cross Angle Assembly, 1-1/2" x 2" x 53" long (used with 7-7/32" width boards) | 1 | |
| 8 | 202600 | Bottom assembly complete | 1 | 562- |
| | 011581 | Carriage bolt, 5/16 x 1-3/8" | AR | |
| 9 | 200831 | Feed shaft support | 2 | 562- |
| | 013831 | Carriage bolt, 3/8 x 2-3/4" | 2 | |
| 10 | K 2880 | Washer, 7/16" I.D. x 1" O.D. x 1/16" thick | 2 | 562- |
| 11 | K 2940 | Carriage bolt, 1/2 x 1-1/8" | 8 | 562- |
| 12 | K 2941 | Carriage bolt, 1/2 x 1-1/4" | 4 | 562- |

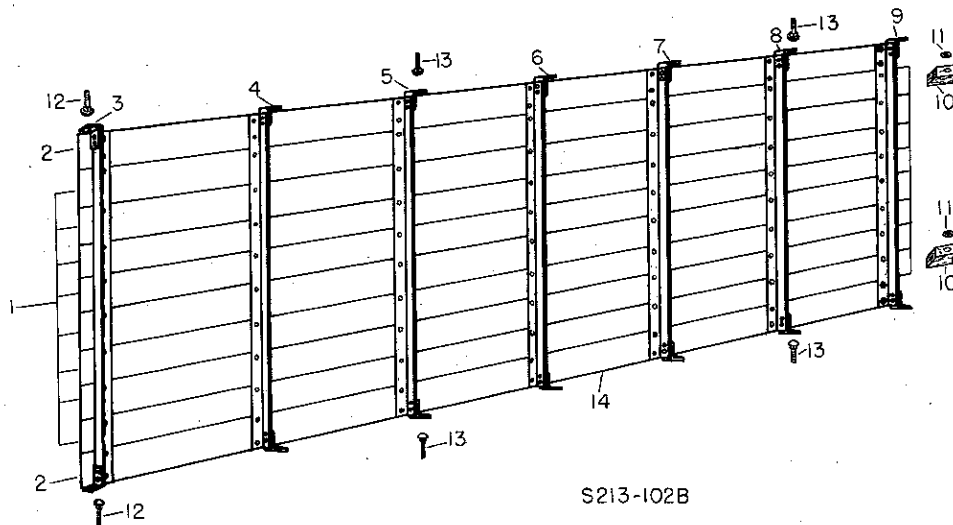
BOTTOM—FOR No. 212 BOX



212 BOX LOT 475 -

| Key | Part No. | Description | Used | Lot No. |
|-----|----------|---|------|---|
| 1 | 203055 | Center Boards, 5-15/32" x 115" long | 8 | NOTE: CHECK SIZE OF BOARDS WHEN ORDERING |
| | 205191 | Center Boards, 7-7/32" x 115" long | 6 | |
| 2 | 202631 | Outside Boards, Tapered, 5-1/4" to 4-1/2" x 115" long (used with 5-19/32" width boards) | 2 | |
| | 204594 | Outside Boards, Tapered, 5" to 5-3/4" x 115" long (used with 5-15/32" width boards) | 2 | |
| | 205183 | Outside Boards, Tapered, 5-1/2" to 4-3/4" x 115" long (used with 7-7/32" width boards) | 2 | |
| 3 | 202605 | Front Bottom Cross Assembly, 1-1/2" x 2" x 52-25/32" long (used with 5-15/32" width boards) | 1 | |
| | 205157 | Front Bottom Cross Angle Assembly, 1-1/2" x 2" x 52-25/32" long (used with 7-7/32" width boards) | 1 | |
| 4 | 202611 | Second Bottom Cross Angle Assembly, 1-1/2" x 2" x 53-3/32" long (used with 5-15/32" width boards) | 1 | |
| | 205159 | Second Bottom Cross Angle Assembly, 1-1/2" x 2" x 53-3/32" long (used with 7-7/32" width boards) | 1 | |
| 5 | 202614 | Third Bottom Cross Angle Assembly, 1-1/2" x 2" x 53-29/64" long (used with 5-15/32" width boards) | 1 | |
| | 205162 | Third Bottom Cross Angle Assembly, 1-1/2" x 2" x 53-29/64" long (used with 7-7/32" width boards) | 1 | |
| 6 | 202617 | Fourth Bottom Cross Angle Assembly, 1-1/2" x 2" x 53-13/16" long (used with 5-15/32" width boards) | 1 | |
| | 205165 | Fourth Bottom Cross Angle Assembly, 1-1/2" x 2" x 53-13/16" long (used with 7-7/32" width boards) | 1 | |
| 7 | 202619 | Fifth Bottom Cross Angle Assembly, 1-1/2" x 2" x 54-3/16" long (used with 5-15/32" width boards) | 1 | |
| | 205167 | Fifth Bottom Cross Angle Assembly, 1-1/2" x 2" x 54-3/16" long (used with 7-7/32" width boards) | 1 | |
| 8 | 202608 | Rear Bottom Cross Angle Assembly, 1-1/2" x 2" x 53" long (used with 5-15/32" width boards) | 1 | |
| | 205168 | Rear Bottom Cross Angle Assembly, 1-1/2" x 2" x 53" long (used with 7-7/32" width boards) | 1 | |
| 9 | 200831 | Feed shaft support | 2 | 475- |
| | 013831 | Carriage bolt, 3/8 x 2-3/4" | 2 | |
| 10 | K 2880 | Washer, 7/16" I.D. x 1" O.D. x 1/16" thick | 2 | 475- |
| 11 | K 2940 | Carriage bolt, 1/2 x 1-1/8" | 12 | 475- |
| 12 | K 2941 | Carriage bolt, 1/2 x 1-1/4" | 4 | 475- |
| 13 | 202601 | Bottom assembly complete | 1 | 475- |
| | 011581 | Carriage bolt, 5/16 x 1-3/8" | AR | |

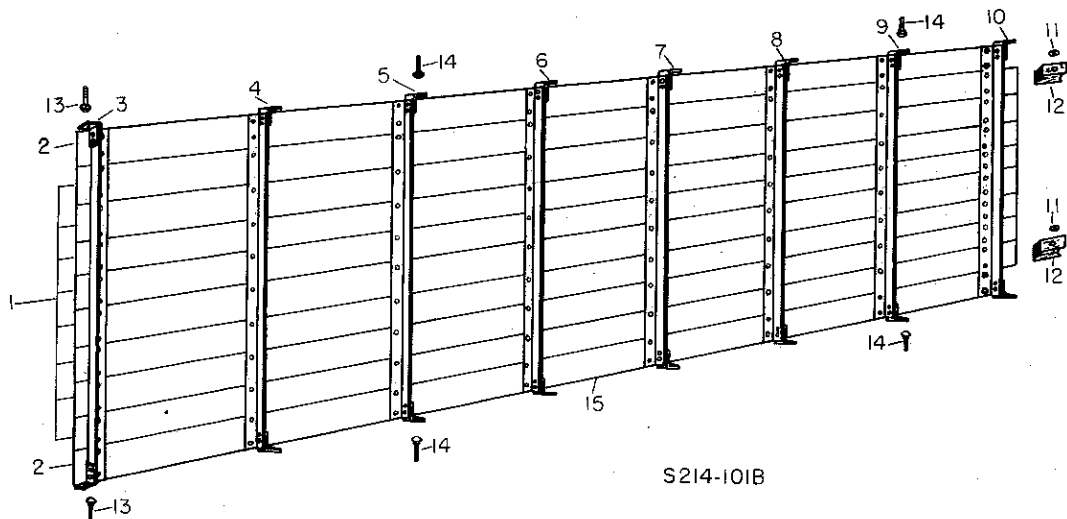
BOTTOM—FOR No. 213 BOX



213 BOX LOT 476 -

| Key | Part No. | Description | Used | Lot No. |
|-----|----------|---|------|---|
| 1 | 203056 | Center Boards, 5-15/32" x 139" long | 8 | NOTE: CHECK SIZE OF BOARDS WHEN ORDERING |
| | 205192 | Center Boards, 7-7/32" x 139" long | 6 | |
| 2 | 202632 | Outside Boards - Tapered, 5-1/4" to 4-1/2" x 139" long (used with 5-19/32" width boards) | 2 | |
| | 204595 | Outside Boards - Tapered, 5-3/4" to 5" x 139" long (used with 5-15/32" width boards) | 2 | |
| | 205184 | Outside Boards - Tapered, 5-1/2" to 4-3/4" x 139" long (used with 7-7/32" width boards) | 2 | |
| 3 | 202604 | Front Bottom Cross Angle Assembly, 1-1/2" x 2" x 52-5/8" long (used with 5-15/32" width boards) | 1 | |
| | 205156 | Front Bottom Cross Angle Assembly, 1-1/2" x 2" x 52-5/8" long (used with 7-7/32" width boards) | 1 | |
| 4 | 202610 | Second Bottom Cross Angle Assembly, 1-1/2" x 2" x 52-7/8" long (used with 5-15/32" width boards) | 1 | |
| | 205158 | Second Bottom Cross Angle Assembly, 1-1/2" x 2" x 52-7/8" long (used with 7-7/32" width boards) | 1 | |
| 5 | 202612 | Third Bottom Cross Angle Assembly, 1-1/2" x 2" x 53-7/32" long (used with 5-15/32" width boards) | 1 | |
| | 205160 | Third Bottom Cross Angle Assembly, 1-1/2" x 2" x 53-7/32" long (used with 7-7/32" width boards) | 1 | |
| 6 | 202614 | Fourth Bottom Cross Angle Assembly, 1-1/2" x 2" x 53-29/64" long (used with 5-15/32" width boards) | 1 | |
| | 205162 | Fourth Bottom Cross Angle Assembly, 1-1/2" x 2" x 53-29/64" long (used with 7-7/32" width boards) | 1 | |
| 7 | 202616 | Fifth Bottom Cross Angle Assembly, 1-1/2" x 2" x 53-3/4" long (used with 5-15/32" width boards) | 1 | |
| | 205164 | Fifth Bottom Cross Angle Assembly, 1-1/2" x 2" x 53-3/4" long (used with 7-7/32" width boards) | 1 | |
| 8 | 202618 | Sixth Bottom Cross Angle Assembly, 1-1/2" x 2" x 54-3/32" long (used with 5-15/32" width boards) | 1 | |
| | 205166 | Sixth Bottom Cross Angle Assembly, 1-1/2" x 2" x 54-3/32" long (used with 7-7/32" width boards) | 1 | |
| 9 | 202608 | Rear Bottom Cross Angle Assembly, 1-1/2" x 2" x 53" long (used with 5-15/32" width boards) | 1 | |
| | 205168 | Rear Bottom Cross Angle Assembly, 1-1/2" x 2" x 53" long (used with 7-7/32" width boards) | 1 | |
| 10 | 200831 | Feed shaft support | 2 | 476- |
| | 013831 | Carriage bolt, 3/8 x 2-3/4" | 2 | |
| 11 | K 2880 | Washer, 7/16 x 1 x 1/16" | 2 | 476- |
| 12 | K 2940 | Carriage bolt, 1/2 x 1-1/8" hardened | 10 | 476- |
| 13 | K 2941 | Carriage bolt, 1/2 x 1-1/4" hardened | 4 | 476- |
| 14 | 202602 | Bottom assembly complete | 1 | 476- |
| | 011581 | Carriage bolt, 5/16 x 1-3/8" | AR | |

BOTTOM—FOR No. 214 BOX

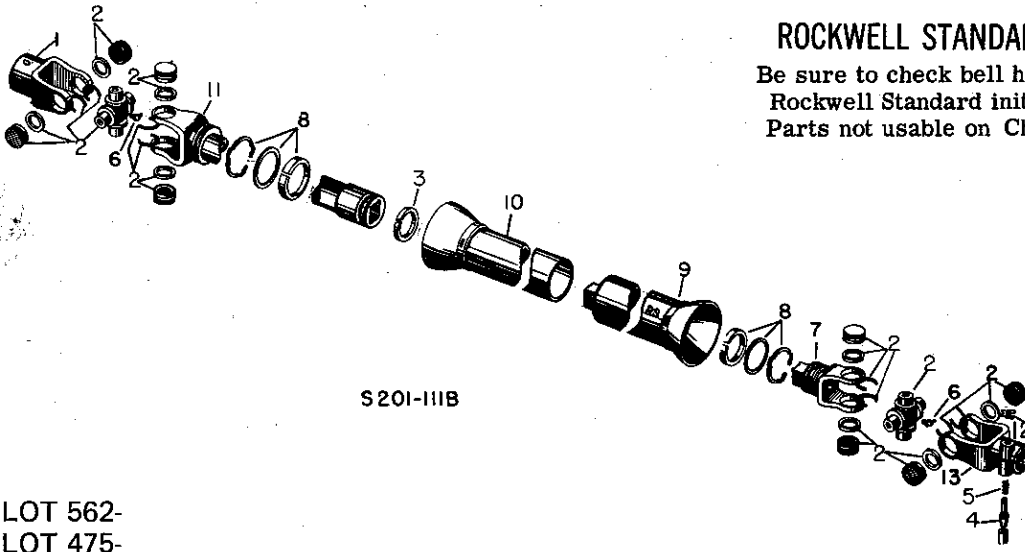


214 BOX LOT 477 -

BOTTOM—FOR No. 214 BOX (Con't.)

| Key | Part No. | Description | Used | Lot No. |
|-----|----------|---|------|---|
| 1 | 203057 | Center Boards, 5-15/32" x 163" long | 8 | NOTE: CHECK SIZE OF BOARDS WHEN ORDERING |
| | 205193 | Center Boards, 7-7/32" x 163" long | 6 | |
| 2 | 202633 | Outside Boards - Tapered, 5-1/2" to 4-1/2" x 163" long (used with 5-19/32" width boards) | 2 | |
| | 204596 | Outside Boards - Tapered, 5-3/4" to 5" x 163" long (used with 5-15/32" width boards) | 2 | |
| | 205185 | Outside Boards - Tapered, 5-1/2" to 4-3/4" x 163" long (used with 7-7/32" width boards) | 2 | |
| 3 | 202604 | Front Bottom Cross Angle Assembly, 1-1/2" x 2" x 52-5/8" long (used with 5-15/32" width boards) | 1 | |
| | 205156 | Front Bottom Cross Angle Assembly, 1-1/2" x 2" x 52-5/8" long (used with 7-7/32" width boards) | 1 | |
| 4 | 202610 | Second Bottom Cross Angle Assembly, 1-1/2" x 2" x 52-7/8" long (used with 5-15/32" width boards) | 1 | |
| | 205158 | Second Bottom Cross Angle Assembly, 1-1/2" x 2" x 53-7/8" long (used with 7-7/32" width boards) | 1 | |
| 5 | 202611 | Third Bottom Cross Angle Assembly, 1-1/2" x 2" x 53-3/32" long (used with 5-15/32" width boards) | 1 | |
| | 205159 | Third Bottom Cross Angle Assembly, 1-1/2" x 2" x 53-3/32" long (used with 7-7/32" width boards) | 1 | |
| 6 | 202613 | Fourth Bottom Cross Angle Assembly, 1-1/2" x 2" x 53-5/16" long (used with 5-15/32" width boards) | 1 | |
| | 205161 | Fourth Bottom Cross Angle Assembly, 1-1/2" x 2" x 53-5/16" long (used with 7-7/32" width boards) | 1 | |
| 7 | 202615 | Fifth Bottom Cross Angle Assembly, 1-1/2" x 2" x 53-9/16" long (used with 5-15/32" width boards) | 1 | |
| | 205163 | Fifth Bottom Cross Angle Assembly, 1-1/2" x 2" x 53-9/16" long (used with 7-7/32" width boards) | 1 | |
| 8 | 202617 | Sixth Bottom Cross Angle Assembly, 1-1/2" x 2" x 53-13/16" long (used with 5-15/32" width boards) | 1 | |
| | 205165 | Sixth Bottom Cross Angle Assembly, 1-1/2" x 2" x 53-13/16" long (used with 7-7/32" width boards) | 1 | |
| 9 | 202618 | Seventh Bottom Cross Angle Assembly, 1-1/2" x 2" x 54-3/32" long (used with 5-15/32" width boards) | 1 | |
| | 205166 | Seventh Bottom Cross Angle Assembly, 1-1/2" x 2" x 54-3/32" long (used with 7-7/32" width boards) | 1 | |
| 10 | 202608 | Rear Bottom Cross Angle Assembly, 1-1/2" x 2" x 53" long (used with 5-15/32" width boards) | 1 | |
| | 205168 | Rear Bottom Cross Angle Assembly, 1-1/2" x 2" x 53" long (used with 7-7/32" width boards) | 1 | |
| 11 | K 2880 | Washer, 7/16" I.D., x 1" O.D., x 1/16" | 2 | 477- |
| 12 | 200831 | Feed shaft support | 2 | 477- |
| | 013831 | Carriage bolt, 3/8 x 2-3/4" | 2 | |
| 13 | K 2940 | Carriage bolt, 1/2 x 1-1/8" | 12 | 477- |
| 14 | K 2941 | Carriage bolt, 1/2 x 1-1/4" | 4 | 477- |
| 15 | 202603 | Bottom assembly complete | 1 | 477- |
| | 011581 | Carriage bolt, 5/16 x 1-3/8" | AR | |

ROCKWELL STANDARD—P.T.O.



S20I-111B

ROCKWELL STANDARD—P.T.O.

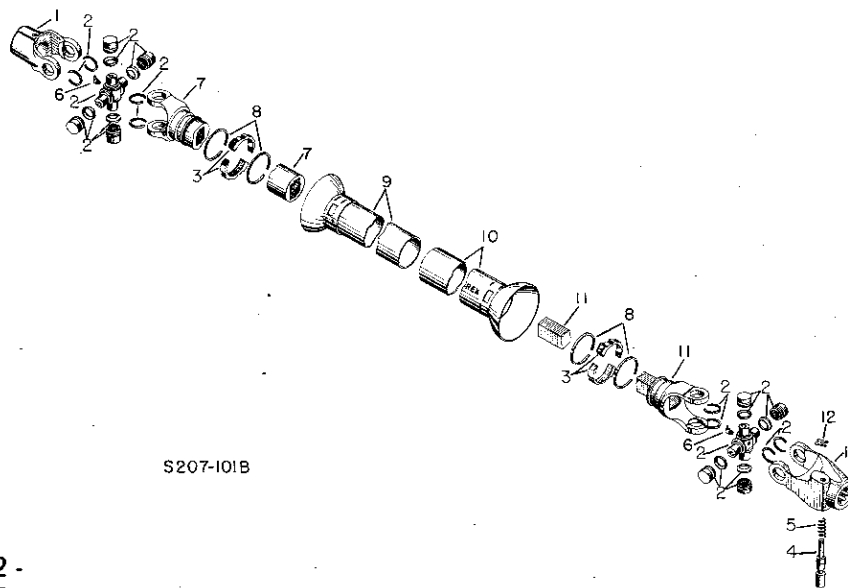
Be sure to check bell housing for Rockwell Standard initials R.S. Parts not usable on Chain Belt.

211 BOX LOT 562-
212 BOX LOT 475-

213 BOX LOT 476-
214 BOX LOT 477-

| Key | Part No. | Description | Used | Lot No. |
|-----|----------|--|------|---------|
| 1 | K 3467 | Yoke | 1 | 475- |
| 2 | 012716 | Center Cross Kit | 1 | 475- |
| | 011073 | Snap Ring Kit | 1 | 475- |
| 3 | K 4711 | Nylon bearing, 2-3/8" O.D., 2" I.D., 1/4" thick | 1 | 475- |
| 4 | K 3424 | Quick Lock Pin (for 540 R.P.M. yoke) | 1 | 475- |
| | K 4745 | Quick Lock Pin (for 1000 R.P.M. yoke) | 1 | 475- |
| 5 | K 1846 | Lock Pin Spring, 4 coils, 7/8" long | 1 | 475- |
| 6 | 011967 | Grease Fitting | 2 | 475- |
| 7 | K 4709 | Yoke and shaft - front half | 1 | 475- |
| 8 | K 4789A | Bearing kit (includes nylon bearing, washer, and lock rings) | 1 | 475- |
| 9 | K 4710 | Shield Housing - front half | 1 | 475- |
| 10 | K 4707 | Shield Housing - rear half | 1 | 475- |
| | 012850 | P.T.O. Lubrication sign | 1 | 475- |
| 11 | K 4706 | Yoke and Tube - rear half | 1 | 475- |
| 12 | K 3421 | X Washer | 1 | 475- |
| 13 | K 3339A | 1-3/8" Spline Yoke Assembly, 540 R.P.M. (includes: X washer, spring and pin) | 1 | 475- |
| | K 4250A | 1-3/8" spline yoke assembly, 1000 R.P.M. P.T.O. (includes: X washer, spring and pin) | 1 | 475- |

CHAIN BELT—P.T.O.



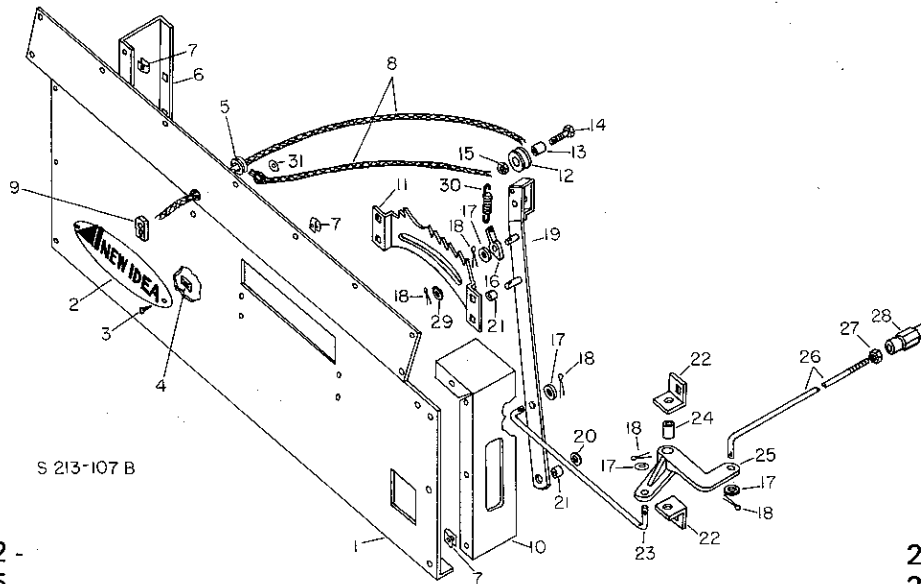
S207-101B

211 BOX LOT 562 -
212 BOX LOT 475 -

213 BOX LOT 476 -
214 BOX LOT 477 -

| Key | Part No. | Description | Used | Lot No. |
|-----|----------|--|------|---------|
| 1 | 010538 | Yoke | 1 | 475- |
| 2 | 012716 | Center Cross Kit | 1 | 475- |
| | 011073 | Snap Ring Kit | 1 | 475- |
| 3 | 010531 | Nylon bearing | 4 | 475- |
| 4 | 010534 | Quick lock pin (for 540 R.P.M. yoke) | 1 | 475- |
| | 010609 | Quick lock pin (for 1000 R.P.M. yoke) | 1 | 475- |
| 5 | K 1846 | Lock pin spring, 540 R.P.M. | 1 | 475- |
| 6 | 011967 | Grease fitting | 2 | 475- |
| 7 | 010607 | Yoke and tube, rear half | 1 | 475- |
| 8 | 010611 | Retainer ring | 1 | 475- |
| 9 | 010542 | Shield housing, rear half | 1 | 475- |
| 10 | 010540 | Shield housing, front half | 1 | 475- |
| | 012850 | P.T.O. Lubrication sign | 1 | 475- |
| 11 | 010606 | Yoke and shaft, front half | 1 | 475- |
| 12 | K 3421 | X washer | 1 | 475- |
| 13 | 010532 | 1-3/8" spline yoke assembly, 540 R.P.M. (includes: X washer, spring and pin) | 1 | 475- |
| | 010536 | 1-3/8" spline yoke assembly for 1000 R.P.M. P.T.O. (includes X washer, spring and pin) | 1 | 475- |

FRONT PANEL AND LEVER

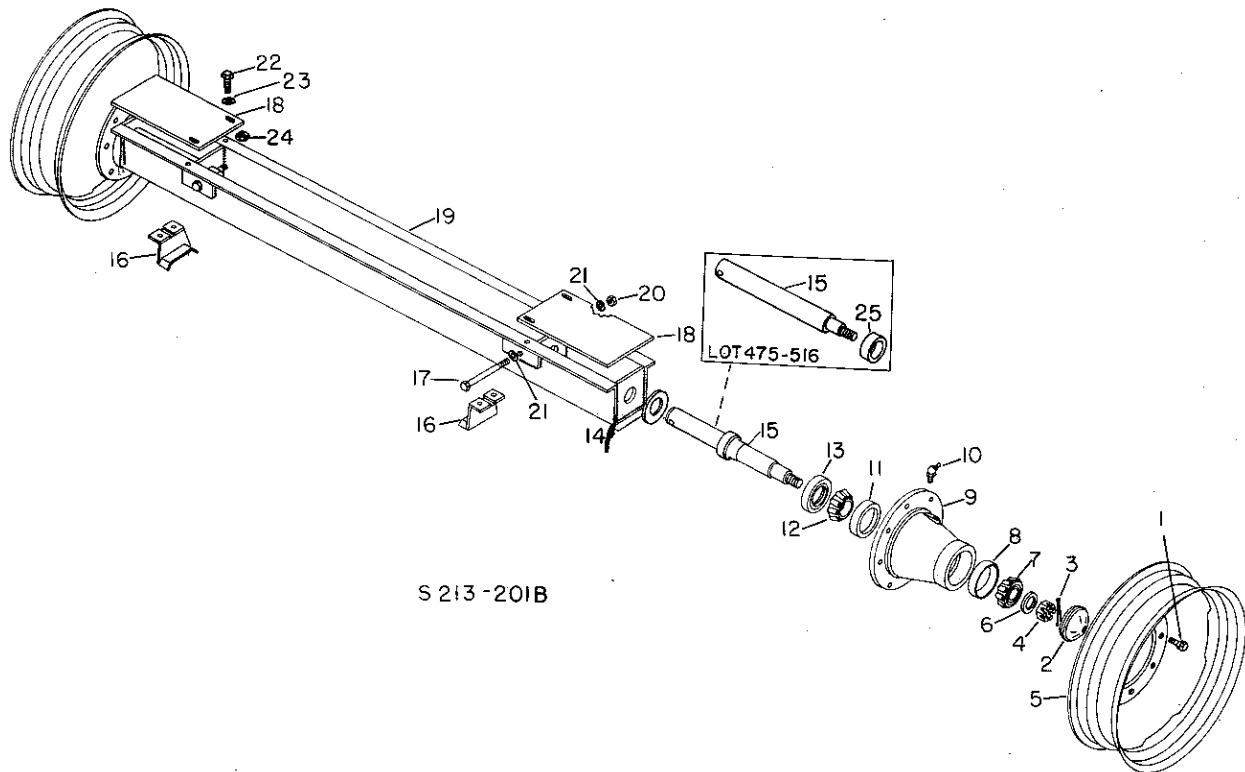


211 BOX LOT 562 -
212 BOX LOT 475 -

213 BOX LOT 476 -
214 BOX LOT 477 -

| Key | Part No. | Description | Used | Lot No. |
|-----|----------|--|------|---------|
| 1 | 202964 | Front panel | 1 | 475- |
| | 203612 | Decal "Grease rear power shaft bearing every 10 hours" | 1 | 475- |
| | 013822 | Carriage bolt, 3/8 x 3/4" | 4 | |
| | 013562 | Machine bolt, 5/16 x 5/8" | 16 | |
| 2 | 011512 | Medallion (Avco New Idea) | 1 | 475- |
| 3 | 010617 | Tapping screw #10 x 1/2" | 2 | 475- |
| 4 | K 5025 | Speed nut flat type | 2 | 475- |
| 5 | 011451 | Rope guide (Polypropylene) | 1 | 475- |
| 6 | 202955 | Shield wrapper | 1 | 475- |
| | 013929 | Carriage bolt, 3/8 x 3/4" | 3 | |
| 7 | K 5020 | Speed nut, 5/16", "U" type | 14 | 475- |
| 8 | 202963 | Rope, 5/16" dia., 12 ft. | 1 | 475- |
| 9 | 203181 | Rope clamp (tire carcass) | 1 | 475- |
| 10 | 202954 | Shield wrapper - front | 1 | 475- |
| 11 | 202969 | Feed selector | 1 | 475- |
| 12 | 125 ME | Cable roller | 1 | 475- |
| 13 | K 1652 | Bushing, 9/16" O.D. x 13/32" I.D. x 9/16" long | 1 | 475- |
| 14 | 013254 | Rivet, drilled, 3/8 x 1-1/4" | 1 | 475-509 |
| | 2001 P | Machine bolt, drilled 3/8 x 1-1/2" | 1 | 514- |
| 15 | 010163 | Locknut, 3/8" | 1 | 514- |
| 16 | 202975 | Pawl | 1 | 475- |
| 17 | K 2882 | Washer, 15/32" I.D. x 15/16" O.D. x 1/16" thick | 4 | 475- |
| 18 | 010214 | Cotter pin, 1/8 x 3/4" | 5 | 475- |
| 19 | 203168 | Feed lever assembly | 1 | 475- |
| 20 | K 813 | Washer, 13/32" I.D. x 1" O.D. x 1/8" thick | 1 | 475- |
| 21 | 15388 | Bushing, 9/16" O.D. x 1/4" thick (order 203238) | 2 | 475-509 |
| | 203238 | Bushing, 9/16" O.D. x 1/4" thick | 2 | 514- |
| 22 | 202974 | Angle bracket | 2 | 475- |
| | 013929 | Carriage bolt, 3/8 x 3/4" | 2 | |
| 23 | 202972 | Feed lever rod, 7/16" dia. x 13-13/16" long | 1 | 475- |
| 24 | 201798 | Spacer, 13/32" I.D. x 5/8" O.D. x 1-3/32" long | 1 | 475- |
| 25 | 202971 | Pivot arm | 1 | 475- |
| 26 | 202743 | Feed rod, 7/16" dia. x 78" long (211 Box) | 1 | 562- |
| | 202744 | Feed rod, 7/16" dia. x 102" long (212 Box) | 1 | 475- |
| | 202745 | Feed rod, 7/16" dia. x 126" long (213 Box) | 1 | 476- |
| | 202746 | Feed rod, 7/16" dia. x 150" long (214 Box) | 1 | 477- |
| 27 | K-2245 | Nut, jam, 7/16" | 1 | 475- |
| 28 | 202747 | Coupler | 1 | 475- |
| 29 | K 3913 | Washer, 13/32" I.D. x 1-3/8" O.D. x 1/16" thick | 1 | 475- |
| 30 | K 4063 | Extension spring, 5/8" O.D., 2-1/4" long, 21 coils | 1 | 475- |
| 31 | K 5031 | Washer, 13/32" I.D. x 1-3/8" O.D. x 1/8" thick | 1 | 475- |

MAIN AXLE



211 BOX LOT 562 -
212 BOX LOT 475 -

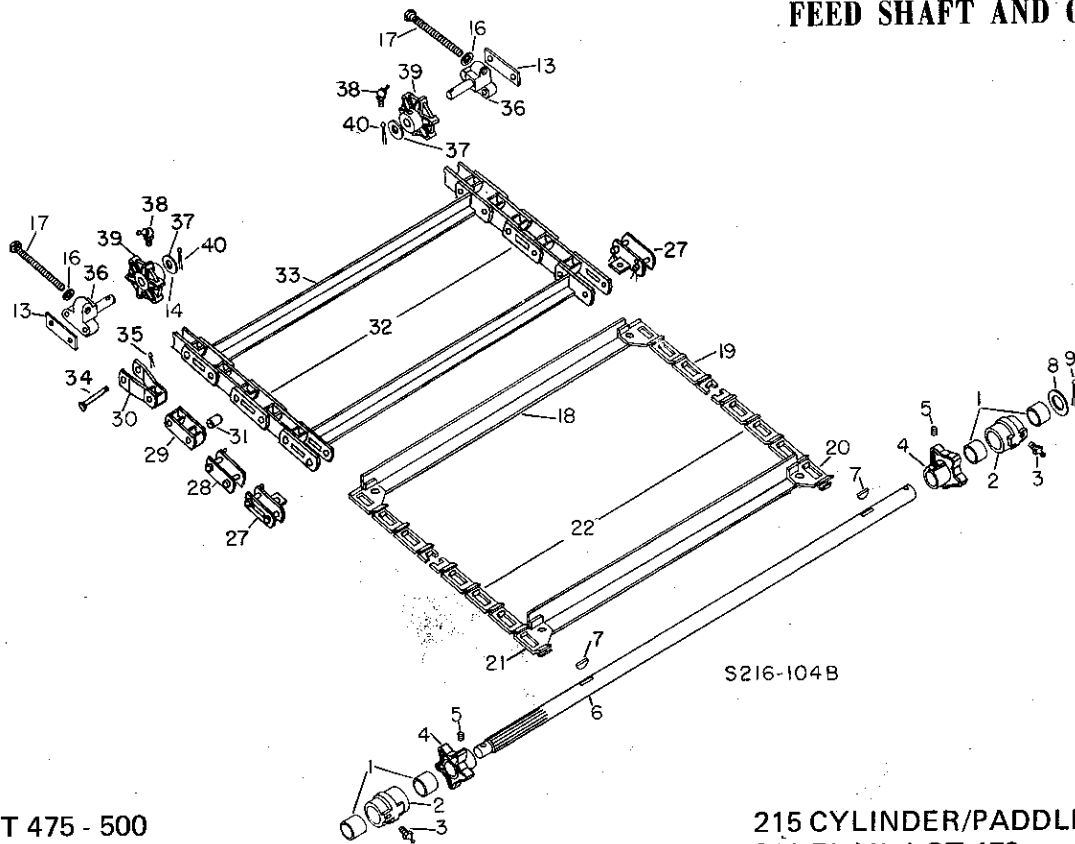
213 BOX LOT 476 -
214 BOX LOT 477 -

| Key | Part No. | Description | Used | Lot No. |
|-----|----------|--|------|---------|
| 1 | 1078 S | Hub bolt, 9/16", 1-1/2" long | 16 | 475- |
| 2 | 011449 | Hub cap (211 & 212 Box) | 2 | 475- |
| | K 3360 | Hub cap (213 Box) | 2 | 476- |
| | 700431 | Hub cap (214 Box) | 2 | 477- |
| 3 | 010217 | Cotter pin, 1/8 x 1-1/4" (211 & 212 Box) | 2 | 475- |
| | 010224 | Cotter pin, 5/32 x 1-1/2" (213 Box) | 2 | 476- |
| | 010231 | Cotter pin, 3/16 x 1-1/2" (214 Box) | 2 | 477- |
| 4 | K 2288 | Nut, slotted, 3/4" (211 & 212 Box) | 2 | 475- |
| | K 2272 | Nut, slotted, 7/8" (213 Box) | 2 | 476- |
| | 010179 | Nut, slotted, 1" (214 Box) | 2 | 477- |
| 5 | K 3374 | Disc wheel, 20 x 7" (211, 212 and 213 Box) | 2 | 475- |
| | K 2598A | Disc wheel, 20 x 5.50 with side ring, K 2599 (212 & 213 Box) | 2 | 475- |
| | K 2599 | Side ring, 20 x 5.50 | 2 | 475- |
| | K 3174 | Disc wheel, 24 x 7" (212 & 213 Box) | 2 | 475- |
| | K 4891 | Disc wheel, 20 x 8-1/2" offset (212, 213 & 214 Box) | 2 | 475- |
| | 011121 | Disc wheel, 24 x W8H wheel (214 Box) | 2 | 477- |
| | 011576 | Rim, 20 x 7.5 (with side ring) (213 & 214 Box) | 1 | 476- |
| | 011578 | Side ring (213 & 214 Box) | 1 | 476- |
| 6 | K 4273 | Washer, 25/32" I.D. x 1-1/4" O.D. x 11/64" thick (211 & 212 Box) | 2 | 475- |
| | 011443 | Washer, 29/32" I.D. x 1-3/4" O.D. x 3/16" thick (213 Box) | 2 | 476- |
| | 010178 | Washer, 1-1/32" I.D. x 2" O.D. x 1/4" thick (214 Box) | 2 | 477- |
| 7 | K 3357 | Bearing cone, 27/32" bore, 23/32" thick (211 & 212 Box) | 2 | 475- |
| | K 3549 | Bearing cone, 1-1/4" bore, 21/32" thick (213 Box) | 2 | 476- |
| | K 3359 | Bearing cone, 1-3/8" bore, 23/32" thick (214 Box) | 2 | 477- |
| 8 | K 3356 | Bearing cup, 1-31/32" O.D. (211 & 212 Box) | 2 | 475- |
| | K 3548 | Bearing cup, 2-21/64" O.D. (213 Box) | 2 | 476- |
| | K 3358 | Bearing cup, 2-5/8" O.D. (214 Box) | 2 | 477- |
| 9 | 202636 | Wheel hub assembly (211 Box) | 2 | 562- |
| | 202645 | Wheel hub assembly (212 Box) | 2 | 475- |
| | 202654 | Wheel hub assembly (213 Box) | 2 | 476- |
| | 201567 | Wheel hub assembly (214 Box) | 2 | 477- |

MAIN AXLE (Con't.)

| Key | Part No. | Description | Used | Lot No. |
|-----|----------|---|------|---------|
| 10 | 011968 | Grease fitting, 1/8 - N.P.T., 67-1/2° | 2 | 475- |
| 11 | K 3358 | Bearing cup, 2-5/8" O.D. (211 Box) | 2 | 562- |
| | K 4936 | Bearing cup, 2-5/8" O.D. (212 Box) | 2 | 475- |
| | K 4537 | Bearing cup, 2-57/64" O.D. (213 Box) | 2 | 476- |
| | 010003 | Bearing cup, 3-5/8" O.D. (214 Box) | 2 | 477- |
| 12 | K 3359 | Bearing cone, 1-3/8" bore, 23/32" thick (211 Box) | 2 | 562- |
| | K 4935 | Bearing cone, 1-1/2" bore, 23/32" thick (212 Box) | 2 | 475- |
| | K 4536 | Bearing cone, 1-5/8" bore, 25/32" thick (213 Box) | 2 | 476- |
| | 010004 | Bearing cone, 1-25/32" bore, 25/32" thick (214 Box) | 2 | 477- |
| 13 | 011892 | Oil seal, 1-5/8" I.D. x 2-5/8" O.D. x 1/4" thick (211 Box) | 2 | 562- |
| | K 3365 | Oil seal, 1-13/16" I.D. x 2-9/16" O.D. x 1/2" thick (212 Box) | 2 | 475- |
| | K 4538 | Oil seal, 2-1/4" I.D. x 3" O.D. x 1/4" thick (213 Box) | 2 | 476- |
| | 010175 | Oil seal, 2-1/4" I.D. x 3-1/4" O.D. x 1/4" thick (214 Box) | 2 | 477- |
| 14 | K 1787 | Washer, 1-21/32" I.D. x 2-1/2" O.D. x 1/8" thick (212 Box) | 2 | 521- |
| | K 2677 | Washer, 2-1/32" I.D. x 2-1/2" O.D. x 1/8" thick (213 & 214 Box) | 2 | 522- |
| 15 | 204478 | Stub, axle 1-5/8" O.D. shouldered, 12-3/8" long (211 Box) | 2 | 562- |
| | 202644 | Stub axle, 1-1/2" O.D. x 14-9/32" long (order 203702) (212 Box) | 2 | 475-514 |
| | 203702 | Stub axle, 1-13/15" O.D. shouldered, 14-11/32" long (212 Box) | 2 | 521- |
| | 202653 | Stub, axle, 1-5/8" O.D. x 14" long, (order 203703) (213 Box) | 2 | 476-514 |
| | 203703 | Stub axle, 2-1/4" O.D. shouldered, 14-3/16" long (213 Box) | 2 | 522- |
| | 202659 | Stub axle, 1-25/32" O.D., x 14-5/8" long (order 203704) (214 Box) | 2 | 477-516 |
| | 203704 | Stub axle, 2-1/4" O.D. shouldered, 14-11/16" long (214 Box) | 2 | 523- |
| 16 | 202179 | Conveyor chain support (rear) | 2 | 475- |
| | 013586 | Machine bolt, 3/8 x 1-1/4" | 4 | |
| 17 | 013628 | Machine bolt, 1/2 x 5" | 2 | 475- |
| 18 | 204476 | Axle cover (211 Box) | 2 | 562- |
| | 202639 | Axle cover (212, 213 and 214 Box) | 2 | 475- |
| 19 | 204473 | Axle assembly (211 Box) Std. 64-29/32" long | 1 | 562- |
| | 202641 | Axle assembly (212 Box) Std. 69-31/32" long | 1 | 475- |
| | 202647 | Axle assembly (213 Box) Std. 69-19/32" long | 1 | 476- |
| | 202656 | Axle assembly (214 Box) Std. 69-19/32" long | 1 | 477- |
| | 203216 | Axle assembly, narrow (212 & 213 Box) 65-11/32" long | 1 | 475- |
| | | Note: For repair on this axle use 213 Box repair number | | |
| 20 | 010165 | Locknut, 1/2" | 2 | 475- |
| 21 | 010503 | Washer, 17/32" I.D. x 1-3/8" O.D. x 1/8" | 4 | 475- |
| 22 | 011190 | Machine bolt, 1/2 - 20 x 1-1/2", hardened | 4 | 475- |
| 23 | 011758 | Washer, 17/32" I.D. x 1-1/2" O.D. x 3/16" | 4 | 475- |
| 24 | 013470 | Nut, 1/2" - 20 UNF | 2 | 475- |
| 25 | 200839 | Stub axle spacer, 1-1/2" I.D. x 1-13/16" O.D. x 21/32" (212 Box) | 2 | 475-514 |
| | 203233 | Stub axle spacer, 1-5/8" I.D. x 2-1/4" O.D. x 5/8" (213 Box) | 2 | 476-515 |
| | 201565 | Stub axle spacer, 1-51/64" I.D. x 2-1/4" O.D. x 9/16" (214 Box) | 2 | 477-516 |

FEED SHAFT AND CONVEYOR

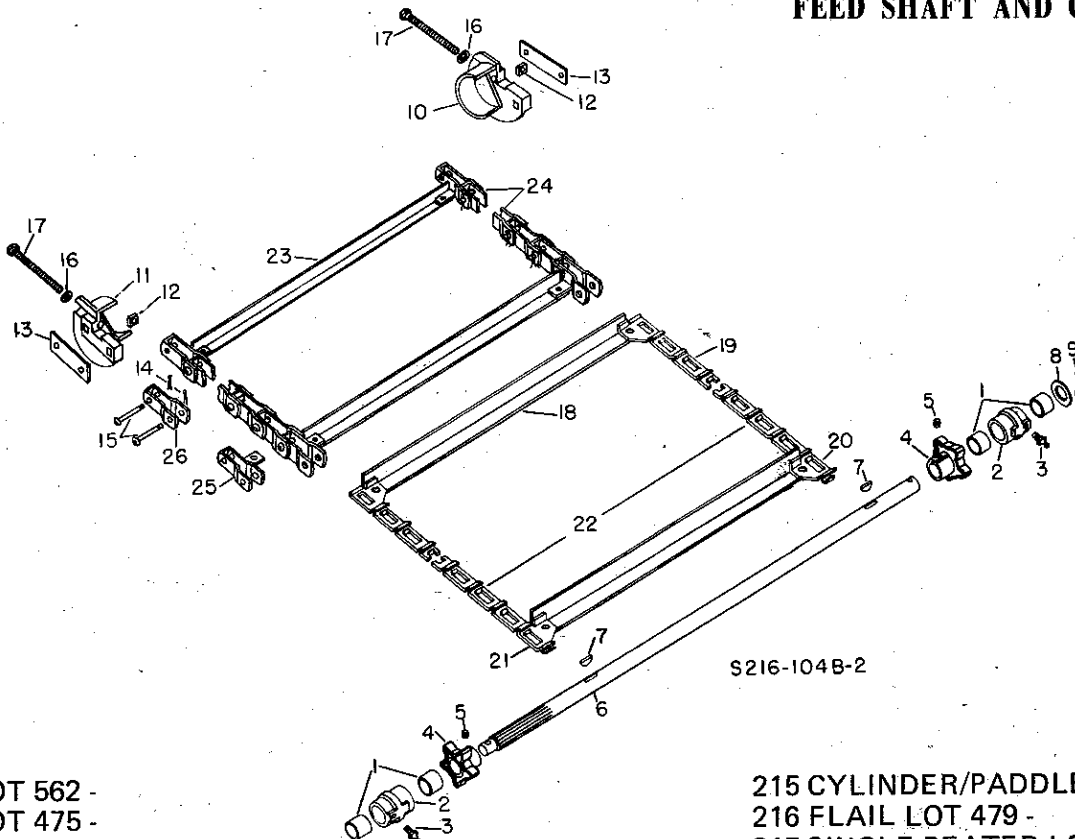


S216-104B

212 BOX LOT 475 - 500
 213 BOX LOT 476 - 501
 214 BOX LOT 477 - 502

215 CYLINDER/PADDLE LOT 478 -
 216 FLAIL LOT 479 -
 217 SINGLE BEATER LOT 480 -

FEED SHAFT AND CONVEYOR



S216-104B-2

211 BOX LOT 562 -
 212 BOX LOT 475 -
 213 BOX LOT 476 -
 214 BOX LOT 477 -

215 CYLINDER/PADDLE LOT 478 -
 216 FLAIL LOT 479 -
 217 SINGLE BEATER LOT 480 -

FEED SHAFT AND CONVEYOR (Con't.)

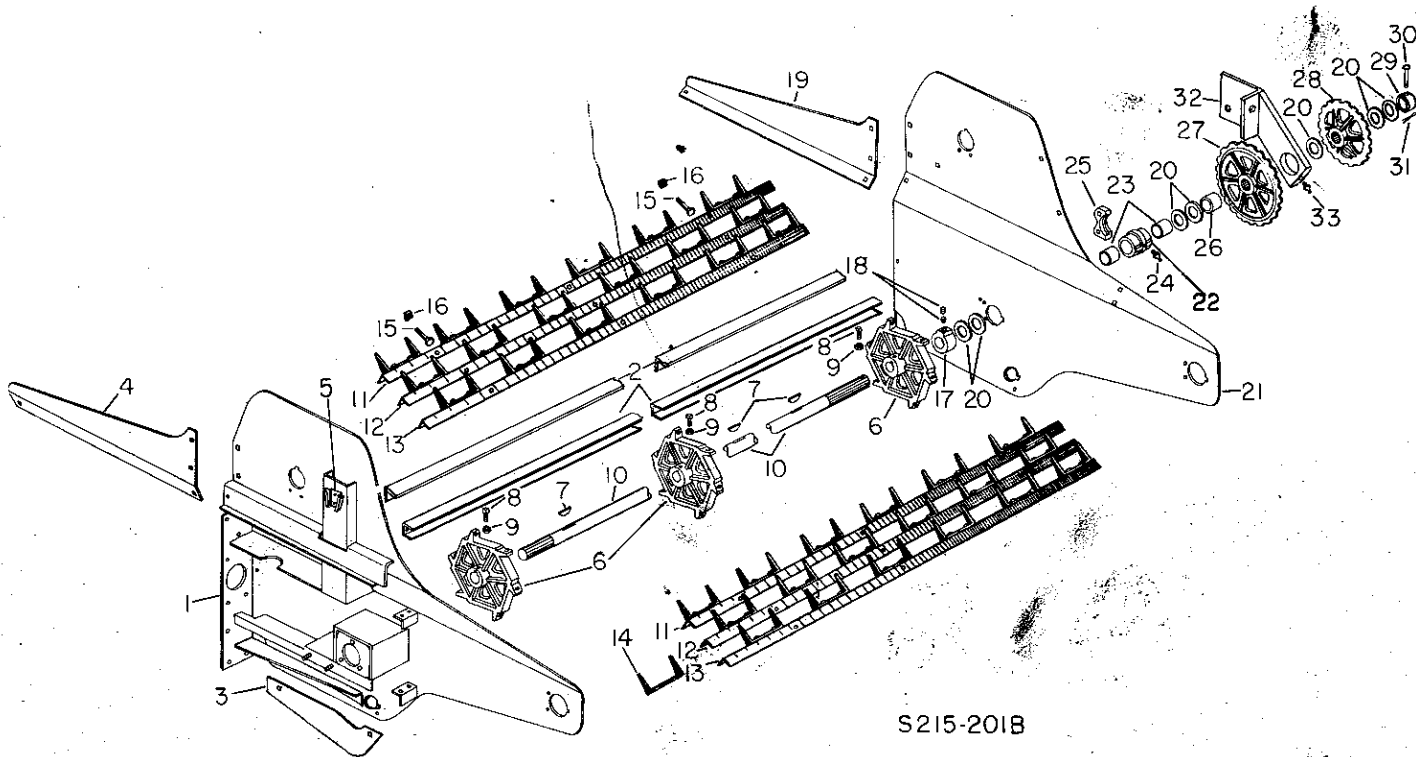
| Key | Part No. | Description | Used | Lot No. |
|-----|----------|--|------|---------|
| 1 | 011447 | Bearing (phenolic) 1-17/64" I.D. x 1-29/64" O.D. x 7/8" long | 4 | 478- |
| 2 | 202816 | Bearing Assembly (order 204348) | 2 | 478-545 |
| | 204348 | Bearing Assembly | 2 | 551- |
| 3 | 011962 | Grease fitting, 1/8 N.P.T. | 2 | 478- |
| 4 | 202818 | 5 tooth sprocket keywayed, 1-1/4" bore for 67H or 6700H chain (order 203715) | 2 | 478-505 |
| | 203715 | 5 tooth sprocket keywayed, 1-1/4" bore for 67 XH or D 667 J chain. | 2 | 510- |
| 5 | K 1169 | Setscrew, 3/8 x 1/2" hollow hd. cup point | 2 | 478- |
| 6 | 202815 | Conveyor shaft, 1-1/4" dia. x 62" long (splined) | 1 | 478- |
| 7 | 011273 | Key #21 woodruff, 1/4 x 1-1/4" | 2 | 478- |
| 8 | 010508 | Washer, 1-9/32" I.D. x 1-3/4" O.D. x 1/16" thick | 2 | 478- |
| 9 | 010232 | Cotter pin, 3/16 x 1-3/4" | 1 | 478- |
| 10 | 203649 | Chain slide, R.H. | 1 | 507- |
| | 013848 | Carriage bolt, 1/2 x 2-3/4" | 4 | |
| 11 | 203650 | Chain slide, L.H. | 1 | 507- |
| 12 | 013491 | Nut square, 1/2" | 2 | 507- |
| 13 | 202739 | Backup plate (order 203235) | 2 | 475-477 |
| | 203235 | Backup plate 2" x 3-1/2" x 3/16" | 2 | 481- |
| | 013613 | Machine bolt, 1/2 x 1-1/4" | 4 | |
| 14 | 010220 | Cotter pin, 1/8 x 3/4", D667J chain, pintle type | | 530- |
| 15 | 011440 | Pin, 3/8 x 2-1/32", D667J chain, pintle type | | 530- |
| 16 | 011685 | Washer, 17/32" I.D. x 1-5/8" O.D. x 3/16" thick | 1 | 475- |
| 17 | 014095 | Machine bolt, 1/2 x 6-1/2" | 2 | 475- |
| 18 | 202686 | Conveyor chain assembly complete, #67 chain (211 Box) consisting of 76 plain links, 11 attachment links and 11 bars | | 562- |
| | 202690 | Conveyor chain assembly complete, 67H chain (212 Box) consisting of 93 plain links, 15 attachment links and 15 bars | | 475- |
| | 202693 | Conveyor chain assembly complete, 67 XH chain (213 Box) consisting of 109 plain links, 19 attachment links and 19 bars | | 476- |
| | 202696 | Conveyor chain assembly complete, 67 XH chain (214 Box) consisting of 127 plain links, 23 attachment links and 23 bars | | 477- |
| | 203030 | Conveyor bar with attachment link, 1-3/4" x 1-1/4" x 3/16" angle, 46-1/8" long for (211, 212, 213 and 214 Box) | | 475- |
| | 202689 | Conveyor bar, 1-3/4" x 1-1/4" x 3/16" angle, 46-1/8" long | A.R. | |
| | 013074 | Rivet truss hd., 3/8 x 3/4" | A.R. | |
| 19 | K 1677 | Plain link #67 chain for (211 Box) | A.R. | 562- |
| | K 4030 | Plain link 67H chain for (212 Box) | A.R. | 476- |
| | 010770 | Plain link 67XH chain for (213 and 214 Box) | A.R. | 477- |
| 20 | 012336 | Attachment link, right #67 chain for (211 Box) | A.R. | 562- |
| | 012332 | Attachment link, right #67 XH chain for 212, 213 and 214 Box) | A.R. | 475- |
| 21 | 012335 | Attachment link, left #67 chain for (211 Box) | A.R. | 562- |
| | 012331 | Attachment link, left #67 XH chain for (212, 213 and 214 Box) | A.R. | 475- |
| 22 | 203200 | Conveyor chain assemblies less bars, right and left, #67 chain (211 Box) | 1 | 562- |
| | 203201 | Conveyor chain assemblies less bars, right and left, #67 chain (212 Box) | 1 | 475- |
| | 203202 | Conveyor chain assemblies less bars, right and left, #67 XH chain (213 Box) | 1 | 476- |
| | 203203 | Conveyor chain assemblies less bars, right and left, #67XH chain (214 Box) | 1 | 477- |

FEED SHAFT AND CONVEYOR (Con't.)

| Key | Part No. | Description | Used | Lot No. |
|-----|----------|--|------|---------|
| 23 | 204483 | Conveyor chain assembly complete, D667J, pintle type, consisting of 75 plain links, 2 connector links, 13 attachment links and 13 bars (211 Box) | | 562- |
| | 203640 | Conveyor chain assembly complete, D667J, pintle type, consisting of 91 plain links, 2 connector links, 17 attachment links and 17 bars (212 Box) | | 539- |
| | 203642 | Conveyor chain assembly complete, D667J, pintle type consisting of 109 plain links, 2 connector links, 21 attachment links and 21 bars (213 Box) | | 534- |
| | 203598 | Conveyor chain assembly complete, D667J, pintle type consisting of 125 plain links, 2 connector links, 25 attachment links and 25 bars (214 Box) | | 530- |
| | 203701 | Conveyor bar with attachment links, 1-3/4" x 1-1/4" x 1/4" angle 46-1/8" long for (211, 212, 213 and 214 Box) | A.R. | 530- |
| | 202533 | Conveyor bar, 1-3/4" x 1-1/4" x 1/4" angle, 46-1/8" long | A.R. | 530- |
| | 013077 | Rivet, truss head, 3/8 x 1-1/8" | A.R. | 530- |
| 24 | 204483 | Conveyor chain assembly less bars, 90 total links, D667J pintle type chain (211 Box) | 2 | 562- |
| | 203641 | Conveyor chain assembly less bars, 110 total links, D667J pintle type chain (212 Box) | 2 | 539- |
| | 203643 | Conveyor chain assembly, less bars, 132 total links, D667J pintle type chain (213 Box) | 2 | 534- |
| | 203580 | Conveyor chain assembly, less bars, 153 total links, D667J pintle type chain (214 Box) | 2 | 530- |
| 25 | 011439 | Attachment link, D667J chain, pintle type with pins | | 530- |
| | 013077 | Rivet, truss head, 3/8 x 1-1/8" | | 530- |
| 26 | 011438 | Connector link, D667J chain, pintle type with pins | | 530- |
| 27 | 012865 | Attachment link 6700 H chain | A.R. | 475-529 |
| | 013074 | Rivet, truss hd., 3/8 x 3/4" | A.R. | |
| 28 | 010966 | Connector link, 6700 H chain, roller type | A.R. | 475-529 |
| 29 | 010968 | Roller link, 6700 H chain, roller type | A.R. | 475-529 |
| 30 | 010963 | Offset link 6700 H chain roller type | A.R. | 475-529 |
| 31 | 010964 | Bushing for roller link, 25/64" I.D. x 35/64" O.D. x 15/16" long | A.R. | 475-529 |
| 32 | 203205 | Conveyor chain assemblies, less bars, right and left, 6700 H roller type chain (No. 212-135 Bu.) (order (2) 203641, Key 24) | 1 | 475-529 |
| | 203206 | Conveyor chain assemblies, less bars, right and left, 6700 H roller type chain (No. 213-165 bu.) (order (2) 203643, Key 24) | 1 | 475-529 |
| | 203207 | Conveyor chain assemblies, less bars, right and left, 6700 H roller type chain (No. 214-195 bu.) (order (2) 203580, Key 24) | 1 | 475-529 |
| 33 | 203186 | Conveyor chain assembly complete, 6700 H roller type (No. 212-135 Bu.) consisting of 89 plain links, 1 connector link, 18 attachment links & 18 bars (order (1) 203640, Key 23) | 1 | 475-529 |
| | 203189 | Conveyor chain assembly complete, 6700 H roller type (No. 213-165 bu.) consisting of 104 plain links, 2 offset links, 1 connector link, 21 attachment links and 21 bars (order (1) 203642, Key 23) | 1 | 475-529 |
| | 203192 | Conveyor chain assembly complete, 6700 H roller type (No. 214-195 bu.) consisting of 124 plain links, 1 connector link, 25 attachment links and 25 bars (order (1) 203598, Key 23) | 1 | 475-529 |
| | 203195 | Conveyor bar with attachment links, 1-3/4" x 1-1/4" x 3/16" angle, 46-1/8" long for 212-213-214 units | A.R. | 475-529 |
| | 202689 | Conveyor bar, 1-3/4" x 1-1/4" x 3/16" angle, 46-1/8" long | A.R. | 475-529 |
| | 013074 | Rivet, truss hd., 3/8 x 3/4" | A.R. | 475-529 |
| 34 | 010965 | Pin, 3/8 x 2-1/8" long - 6700 H Roller type chain | A.R. | 475-529 |
| 35 | 010220 | Cotter pin, 1/8 x 3/4", 6700 H chain | A.R. | 475-529 |
| 36 | 202737 | Tightener | 2 | 475-502 |
| 37 | K 3110 | Washer, 31/32" I.D. x 1-5/8" O.D. x 1/16" thick | 4 | 475-502 |
| 38 | 011976 | Grease fitting 1/4 N.S.T. | 2 | 475-502 |
| 39 | 203297 | 6 tooth sprocket, 3/4" bore for 47H and 6700 H chain. | 2 | 475-502 |
| 40 | 010231 | Cotter pin, 3/16" x 1-1/4" | 2 | 475-502 |

(215 SECTION)

LOWER CYLINDER AND SIDE SHEETS



S215-2018

215 CYLINDER/PADDLE

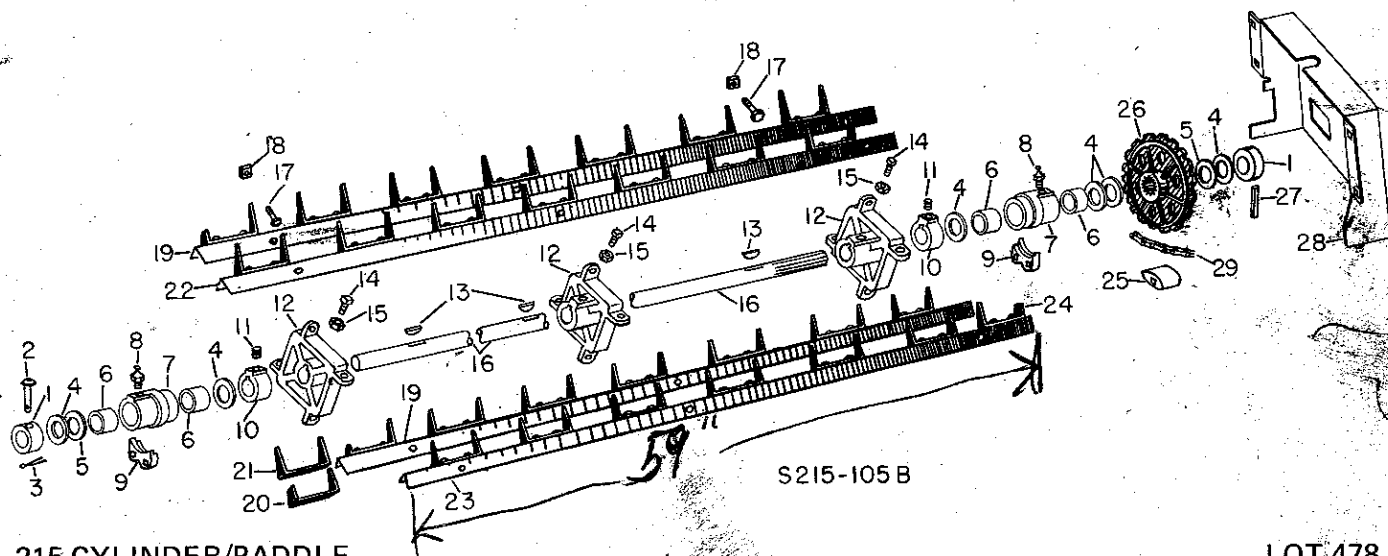
LOT 478

| Key | Part No. | Description | Used | Lot No. |
|-----|----------|---|------|---------|
| 1 | 202862 | Support plate assembly, L.H. | 1 | 478-543 |
| | 204451 | Support plate assembly, L.H. | 1 | 551- |
| | 202842 | Support angle, 1-1/2" x 1-3/4" x 64" | 1 | 478-543 |
| | 204337 | Support channel | 1 | 551- |
| | 013613 | Machine bolt 1/2 x 1-1/4" | 2 | |
| | 010476 | Machine bolt 1/2 x 1-1/4" (hardened) | 2 | |
| | 202855 | Filler sheet | 1 | 478-543 |
| | 204336 | Filler sheet | 1 | 551- |
| | 013929 | Carriage bolt, 3/8 x 3/4" | 2 | |
| 4 | 202909 | Shield, L.H. | 1 | 478- |
| | 013929 | Carriage bolt, 3/8 x 3/4" | 4 | |
| 5 | K 3801 | Socket lamp bracket | 1 | 478- |
| | 013091 | Rivet, truss head, 1/4 x 7/16" | 1 | |
| | 013083 | Rivet, truss head, 3/16 x 3/8" | 1 | |
| 6 | 202878 | Main cylinder head, 1-1/4" bore | 3 | 478- |
| 7 | 011276 | Key #27 Woodruff, 1/4 x 2-1/8" | 3 | 478-524 |
| | 011273 | Key #21 Woodruff, 1/4 x 1-1/4" | 3 | 531- |
| 8 | K 1189 | Setscrew, 1/2 x 1-1/4" regular sq. hd. cup point | 3 | 478- |
| 9 | K 579 | Nut, 1/2" jam | 3 | 478- |
| 10 | 202872 | Main cylinder shaft, 1-1/4 x 70-3/8" long, splined | 1 | 478-524 |
| | 203371 | Main cylinder shaft, 1-1/4 x 70-3/8" long, splined | 1 | 531- |
| 11 | 202879 | Main cylinder bar assembly, 1-1/2 x 1-1/2 x 3/16 x 51-3/4" with first rivet hole, 1-9/16" from left end | 2 | 478- |
| 12 | 202880 | Main cylinder bar assembly, 1-1/2 x 1-1/2 x 3/16 x 51-3/4" with first rivet hole, 3-1/16" from left end | 2 | 478- |
| 13 | 202881 | Main cylinder bar assembly, 1-1/2 x 1-1/2 x 3/16 x 51-3/4" with first rivet hole, 4-9/16" from left end | 2 | 478- |
| 14 | 0312 SR | Cylinder tooth, 1/4 x 1-1/4" flat, 10-1/16" long | 36 | 478- |
| | 013014 | Rivet, button hd., 5/16 x 7/8" | 2 | |
| 15 | K 4416 | Machine bolt, 3/8 x 1-1/2" hex. hd. (Hardened) | 18 | 478- |
| 16 | 010595 | Locknut, 3/8" square (order 010163) | 18 | 478-510 |
| | 010163 | Locknut, 3/8" | 18 | 524- |
| 17 | 202875 | Collar, 1-17/64" bore | 1 | 478- |

LOWER CYLINDER AND SIDE SHEETS (Con't.)

| Key | Part No. | Description | Used | Lot No. |
|-----|----------|---|------|---------|
| 18 | K 1169 | Setscrew, 3/8 x 1/2" hollow hd. cup point | 2 | 478- |
| 19 | 202910 | Shield, R.H. | 1 | 478- |
| | 013929 | Carriage bolt, 3/8 x 3/4" | 4 | |
| 20 | 010508 | Washer, 1-9/32" I.D., x 1-3/4" O.D., x 1/16" thick | A.R. | 478- |
| 21 | 202868 | Support plate assembly, R.H. (order 204448) | 1 | 478-543 |
| | 204448 | Support plate assembly, R.H. | 1 | 551- |
| 22 | 202816 | Bearing assembly with 011447 bearing (order 204348) <i>8220</i> | 1 | 478-543 |
| | 204348 | Bearing assembly (with 011447 bearing) | 1 | 551- |
| 23 | 011447 | Bearing (phenolic) 1-17/64" I.D., x 1-29/64" O.D. x 7/8" long | 2 | 478- |
| 24 | 011962 | Grease fitting, 1/8 N.P.T. | 1 | 478- |
| 25 | 202702 | Bearing keeper | 1 | 478- |
| | 013825 | Carriage bolt, 3/8 x 1-1/4" | 2 | |
| 26 | 575122 | Sleeve - 1-1/4" std. pipe, 1" long | 1 | 478- |
| 27 | 202876 | 22 tooth sprocket for #2060 chain (splined) <i>374.00</i> | 1 | 478- |
| 28 | 202877 | 17 tooth sprocket for #2060 chain (splined) | 1 | 478- |
| 29 | 200048 | Collar, 1-1/4" I.D., 1-7/8" O.D. x 3/4" long | 1 | 478- |
| 30 | 013154 | Rivet (drilled) 5/16 x 2-1/4" | 1 | 478- |
| 31 | 010214 | Cotter pin, 1/8 x 3/4" | 1 | 478- |
| 32 | 203320 | Support assembly | 1 | 531- |
| | 013564 | Machine bolt, 5/16 x 7/8" | 2 | |
| 33 | 011976 | Grease fitting, 1/4 - 28 N.S.T. | 1 | 531- |

UPPER CYLINDER



LOT 478-

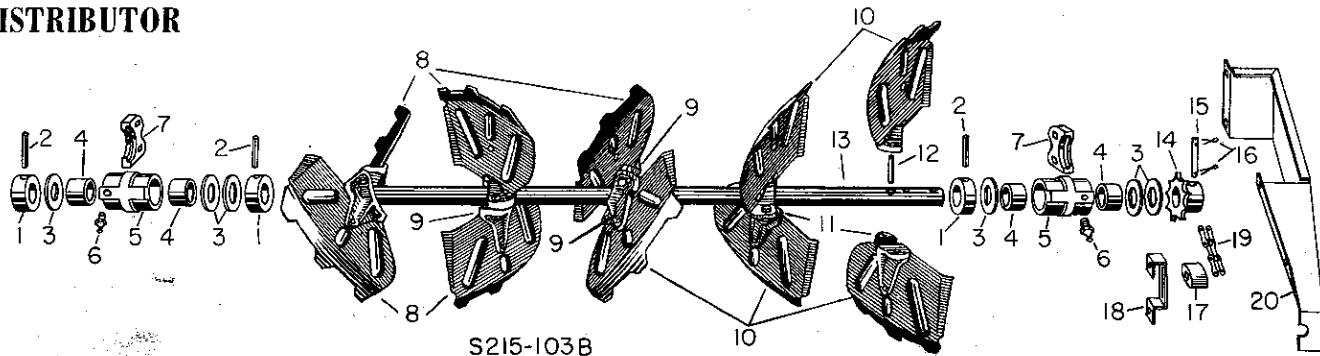
| Key | Part No. | Description | Used | Lot No. |
|-----|----------|---|------|---------|
| 1 | 200044 | Collar | 2 | 478- |
| 2 | 013154 | Rivet, drilled, 5/16 x 2-1/4" | 1 | 478- |
| 3 | 010214 | Cotter pin, 1/8 x 3/4" | 1 | 478- |
| 4 | 010512 | Washer, 1-5/32" I.D., x 2" O.D., x 1/16" thick | A.R. | 478- |
| 5 | 012839 | Washer, phenolic, 1-5/32" I.D., x 2" O.D., x 3/32" thick | 2 | 478- |
| 6 | 011445 | Bearing, phenolic, 1-9/64" I.D., x 1-21/64" O.D., x 7/8" long | 4 | 478- |
| 7 | 202885 | Bearing assembly | 2 | 478- |
| 8 | 011962 | Grease fitting, 1/8 N.P.T. | 2 | 478- |
| 9 | 202702 | Bearing keeper | 2 | 478- |
| | 013825 | Carriage bolt | 4 | |
| 10 | 79 SR | Stop for drive shaft bearing | 2 | 478- |
| 11 | K 1169 | Setscrew, 3/8 x 1/2" hollow hd. cup point | 2 | 478- |
| 12 | 202887 | Upper cylinder head (order 203887) | 3 | 478-543 |
| | 203887 | Upper cylinder head | 3 | 551- |
| 13 | 011273 | Key #21 woodruff | 3 | 478- |
| 14 | K 1189 | Setscrew, 1/2 x 1-1/4" reg. square hd. cup point | 3 | 478- |
| 15 | K 579 | Nut, 1/2" jam | 3 | 478- |
| 16 | 202889 | Upper cylinder shaft, 1-1/8" dia. x 65-7/16" long, splined | 1 | 478- |
| 17 | K 4416 | Bolt, 3/8 x 1-1/2" hex. hd. (hardened) | 12 | 478- |

NO. 215 CYLINDER/PADDLE

UPPER CYLINDER (Con't.)

| Key | Part No. | Description | Used | Lot No. |
|-----|----------|---|------|---------|
| 18 | 010595 | Locknut, 3/8" square (order 010163) | 12 | 478-510 |
| | 010163 | Locknut, 3/8" | 12 | 524- |
| 19 | 202890 | Cylinder bar assembly | 1 | 478- |
| | 013014 | Rivet, button hd., 5/16 x 7/8" | 28 | |
| 20 | 0722 SR | Cylinder tooth, L.H. | 1 | 478- |
| 21 | 0312 SR | Cylinder tooth | 25 | 478- |
| 22 | 202891 | Cylinder bar assembly | 2 | 478- |
| | 013014 | Rivet, button hd., 5/16 x 7/8" | 14 | |
| 23 | 202892 | Cylinder bar assembly | 1 | 478- |
| | 013014 | Rivet, button hd., 5/16 x 7/8" | 14 | |
| 24 | 0723 SR | Cylinder tooth, R.H. | 1 | 478- |
| 25 | 300041 | Chain slide | 1 | 478- |
| | 013937 | Carriage bolt, 3/8 x 2-3/4" | 1 | |
| 26 | 202888 | 15 tooth sprocket, for #2060 chain, splined | 1 | 478- |
| 27 | K 3169 | Roll pin, 5/16 x 1-3/4" | 1 | 478-510 |
| | K 3427 | Roll pin, 5/16 x 2" | 1 | 524- |
| 28 | 202907 | Upper shield | 1 | 478- |
| 29 | 203014 | Drive chain assembly for upper cylinder #2060, 1-1/2" pitch, 47 total pitches (For repair of chain, see page 63) | | |

DISTRIBUTOR

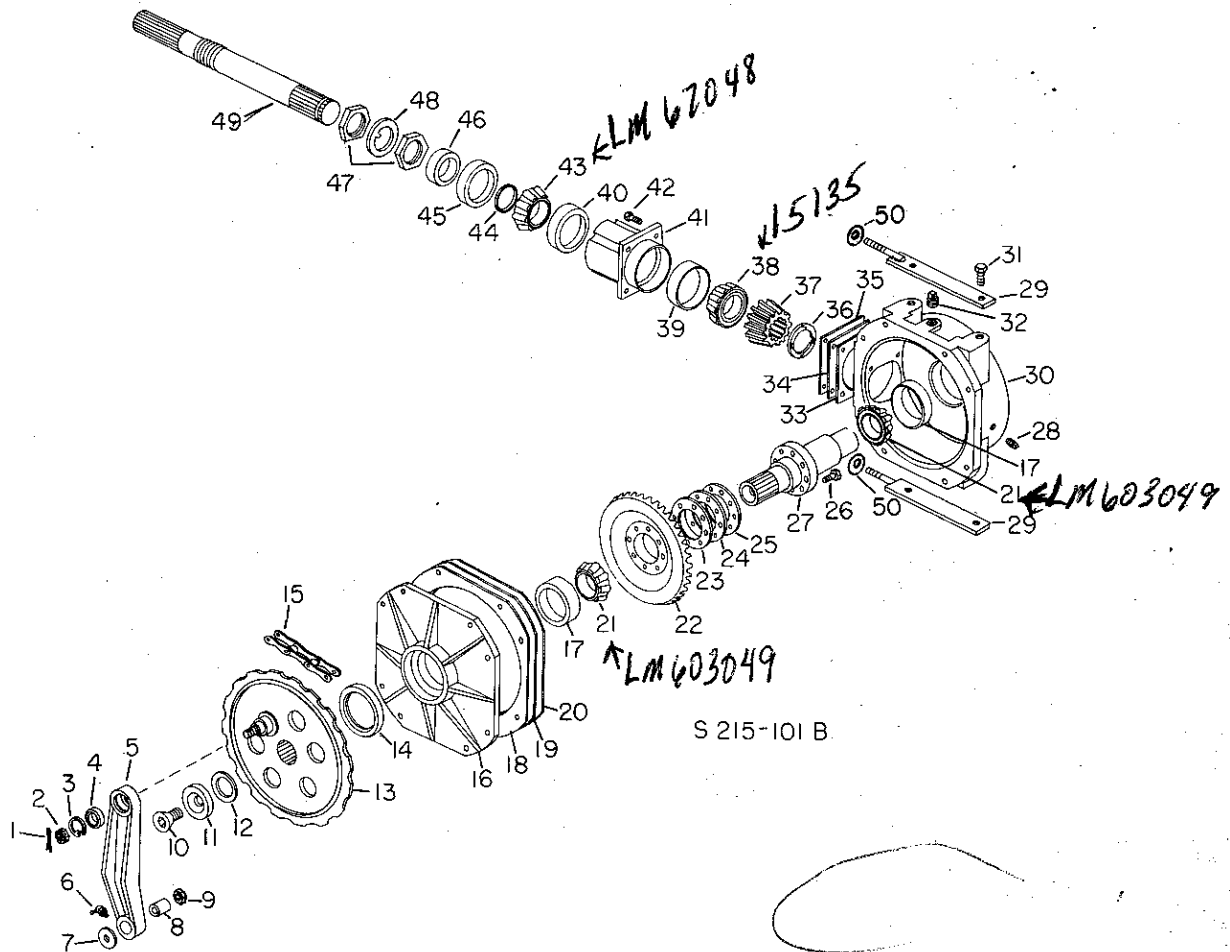


215 CYLINDER/PADDLE

LOT 478 -

| Key | Part No. | Description | Used | Lot No. |
|-----|----------|--|------|---------|
| 1 | 200043 | Collar, 1-39/64" I.D., 2-1/4" O.D. 3/4" long | 3 | 478- |
| 2 | K 3170 | Roll pin, 5/16 x 2" long | 3 | 478- |
| 3 | K 975 | Washer, 1-11/16" I.D., 2-5/8" O.D. x 3/32" | A.R. | 478- |
| 4 | K 1841 | Bearing, phenolic, 1-5/8" I.D., 1-7/8" O.D. 1-1/4" long | 4 | 478- |
| 5 | 202899 | Bearing assembly (distributor) | 2 | 478- |
| 6 | 011962 | Grease fitting, 1/8 N.P.T. | 2 | 478- |
| 7 | 202702 | Bearing keeper | 2 | 478- |
| | 013825 | Machine bolt, 3/8 x 1-1/4" | 4 | |
| 8 | 200685 | Distributor, paddle assembly, L.H. | 5 | 478- |
| | 013077 | Rivet, truss head, 3/8 x 1-1/8" | 2 | |
| | 013325 | Rivet, truss head, 3/8 x 1-1/4" | 1 | |
| | 200687 | Distributor paddle, L.H. | 5 | 478- |
| | 013616 | Machine bolt, 1/2 x 2" | 2 | |
| 9 | 200039 | Distributor paddle bracket casting, left | 5 | 478- |
| 10 | 200684 | Distributor paddle assembly, R.H. | 5 | 478- |
| | 013077 | Rivet, truss head, 3/8 x 1-1/8" | 2 | |
| | 013325 | Rivet, truss head, 3/8 x 1-1/4" | 1 | |
| | 200686 | Distributor paddle, R.H. | 5 | 478- |
| | 013616 | Machine bolt, 1/2 x 2" | 2 | |
| 11 | 200038 | Distributor paddle bracket casting, right | 5 | 478- |
| 12 | 0604 SR | Drive pin for distributor paddle, 3/8 x 2-5/16" | 5 | 478- |
| 13 | 202897 | Distributor shaft, 1-39/64" x 59-1/4" long | 1 | 478- |
| 14 | 202898 | 9 tooth sprocket for #2060 chain, 1-39/64" bore | 1 | 478- |
| 15 | 200245 | Pin for sprocket, 3/8 x 2-7/8" long | 1 | 478- |
| 16 | 010214 | Cotter pin, 1/8 x 3/4" | 2 | 478- |
| 17 | 300041 | Chain slide | 1 | 478- |
| 18 | 202896 | Tightener bracket | 1 | 478- |
| | 013822 | Carriage bolt, 3/8 x 3/4" | 2 | |
| 19 | 203131 | Drive chain assembly (distributor) #2060, 1-1/2" pitch, 46 total pitches (For repair of chain, see page 63) | 1 | 478- |
| | 202908 | Drive shield | 1 | 478- |
| | 013929 | Carriage bolt, 3/8 x 3/4" | 4 | |

GEAR CASE



215 CYLINDER/PADDLE

LOT 478

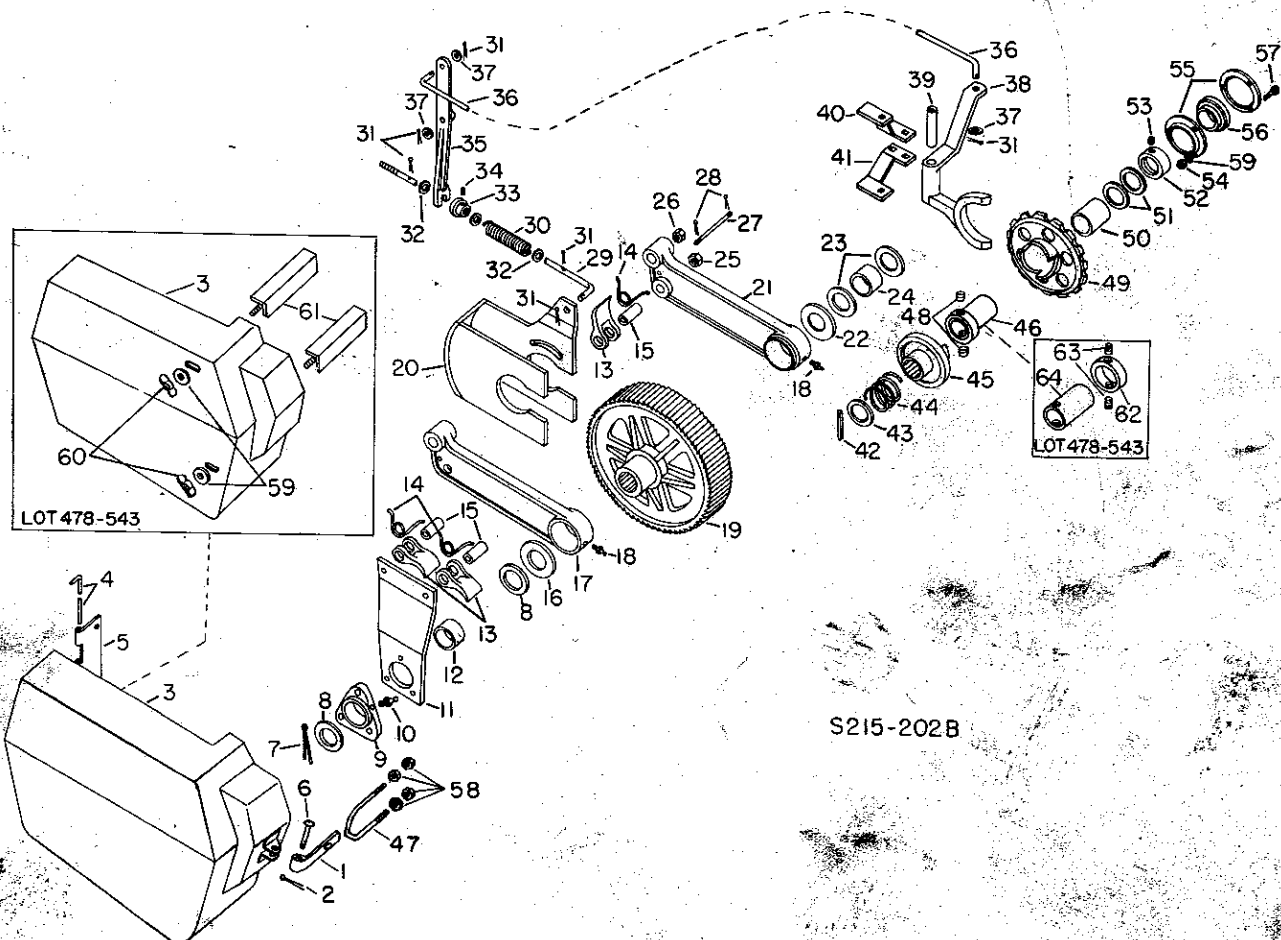
| Key | Part No. | Description | Used | Lot No. |
|-----|----------|---|------|---------|
| 1 | 010214 | Cotter pin, 1/8 x 3/4" | 1 | 478- |
| 2 | K 2097 | Nut, slotted, 1/2" | 1 | 478- |
| 3 | 010474 | Snap ring - internal | 1 | 478- |
| 4 | 010473 | Bearing ball, 43/64" I.D., 1-37/64" O.D. <i>Order # 620372</i> | 1 | 478- |
| 5 | 202804 | Crank Arm (order 203349) | 1 | 478-536 |
| | 203349 | Crank Arm | 1 | 543- |
| | 014096 | Machine bolt, 5/8 x 6" | 1 | |
| 6 | 011967 | Grease fitting, 1/8 N.P.T. 67-1/2 degree | 1 | 478- |
| 7 | K 3206 | Washer, 21/32" I.D., x 1-1/2" O.D., x 3/32" | 1 | 478- |
| 8 | 202807 | Bushing, 21/32" I.D., x 1" O.D., x 1-1/2" long | 1 | 478- |
| 9 | 010032 | Locknut, 5/8" | 1 | 478- |
| 10 | 014094 | Socket head screw (order 012289) | 1 | 478-543 |
| | 012289 | Socket head screw | 1 | 551- |
| 11 | 202794 | Washer, 2" O.D. x 3/16" thick | 1 | 478- |
| 12 | 202793 | Gasket, 1-1/8" I.D. x 2" O.D. x 1/16" thick | 1 | 478- |
| 13 | 202790 | 21 tooth sprocket for #2060 chain with crank pin | 1 | 478- |
| | 202792 | Crank pin, 43/64" dia. x 2-1/2" | 1 | 478- |
| 14 | 010005 | Oil seal, 2-1/4" I.D., 3-1/8" O.D. | 1 | 478- |
| 15 | 202905 | Roller chain, #2060, 1-1/2" pitch, 44 total pitches (For repair of chain, see page 63) | 1 | 478- |
| 16 | 202788 | Gear case cover assembly with bearing cup | 1 | 478- |
| | 013583 | Bolt, machine, 3/8 x 1" | 8 | |
| 17 | 010003 | Bearing cup, 3-1/16" O.D. | 2 | 478- |
| 18 | 202795 | Shim, .005 | A.R. | 478- |
| 19 | 202796 | Shim, .007 | A.R. | |
| 20 | 202797 | Shim, .020 | A.R. | |
| 21 | 010004 | Bearing cone, 1-25/32" I.D. <i>Lm. 60349</i> | 2 | |
| 22 | 202799 | 38 tooth bevel gear | 1 | |
| 23 | 202800 | Shim, .005 | A.R. | 478- |

GEAR CASE (Con't.)

| Key | Part No. | Description | Used | Lot No. |
|-----|----------|--|------|---------|
| 24 | 202801 | Shim, .007 | A.R. | 478- |
| 25 | 202802 | Shim, .020 | A.R. | 478- |
| 26 | 011099 | Bolt, machine, 3/8 x 1-1/8" hardened | 8 | 478- |
| 27 | 202798 | Main shaft | 1 | 478- |
| 28 | K 1336 | Pipe plug, 1/8" sq. hd. | 1 | 478- |
| 29 | 202851 | Tightener assembly | 2 | 478- |
| 30 | 202786 | Gear case assembly with bearing cup | 1 | 478- |
| | 202785 | Gear case complete with 21 tooth sprocket | 1 | 478- |
| 31 | K 4729 | Bolt, machine, 5/8 x 1-1/4" hardened | 4 | 478- |
| 32 | 450135 | Breather plug, 1/2", sq. hd. | 1 | 478- |
| 33 | 010014 | Shim, .005 | A.R. | 478- |
| 34 | 010010 | Shim, .002 | A.R. | 478- |
| 35 | 010012 | Shim, .020 | A.R. | 478- |
| 36 | 010172 | Snap ring kit - interlocking | 2 | 478- |
| 37 | 201461 | 13 tooth bevel pinion gear | 1 | 478- |
| 38 | K 2284 | Bearing cone, 1-1/4" I.D. | 1 | 478- |
| 39 | K 2283 | Bearing cup, 2-7/16" O.D. | 1 | 478- |
| 40 | K 3548 | Bearing cup, 2-21/64" O.D. | 1 | 478- |
| 41 | 201463 | Cap assembly with bearing cups | 1 | 478- |
| 42 | 012683 | Bolt, machine, 3/8 x 1-1/4" hardened | 4 | 478- |
| 43 | K 3549 | Bearing cone, 1-1/4" I.D. | 1 | 478- |
| 44 | K 4958 | "O" ring seal, 1-1/2" O.D., 1-15/16" I.D. | 1 | 478- |
| 45 | K 4582 | Oil seal, 2-7/16" O.D., 1-11/16" I.D. | 1 | 478- |
| 46 | 010016 | Collar, 1-11/16" O.D., 1-1/4" I.D., 1/2" long | 1 | 478- |
| 47 | 0466 HS | Nut, 1-1/4" | 2 | 478- |
| 48 | K 4544 | Locking washer, 2-1/4" O.D., 1-9/32" I.D., 1/16" thick | 1 | 478- |
| 49 | 201460 | Pinion shaft, 10" long | 1 | 478- |
| 50 | K 826 | Washer, 1/2" I.D. x 1-1/4" O.D., 1/16" | 2 | 478- |

L.M.C. 7098-Bry

FEED RATCHET WHEEL



S215-202B

215 CYLINDER/PADDLE

LOT 478-

FEED RATCHET WHEEL (Con't.)

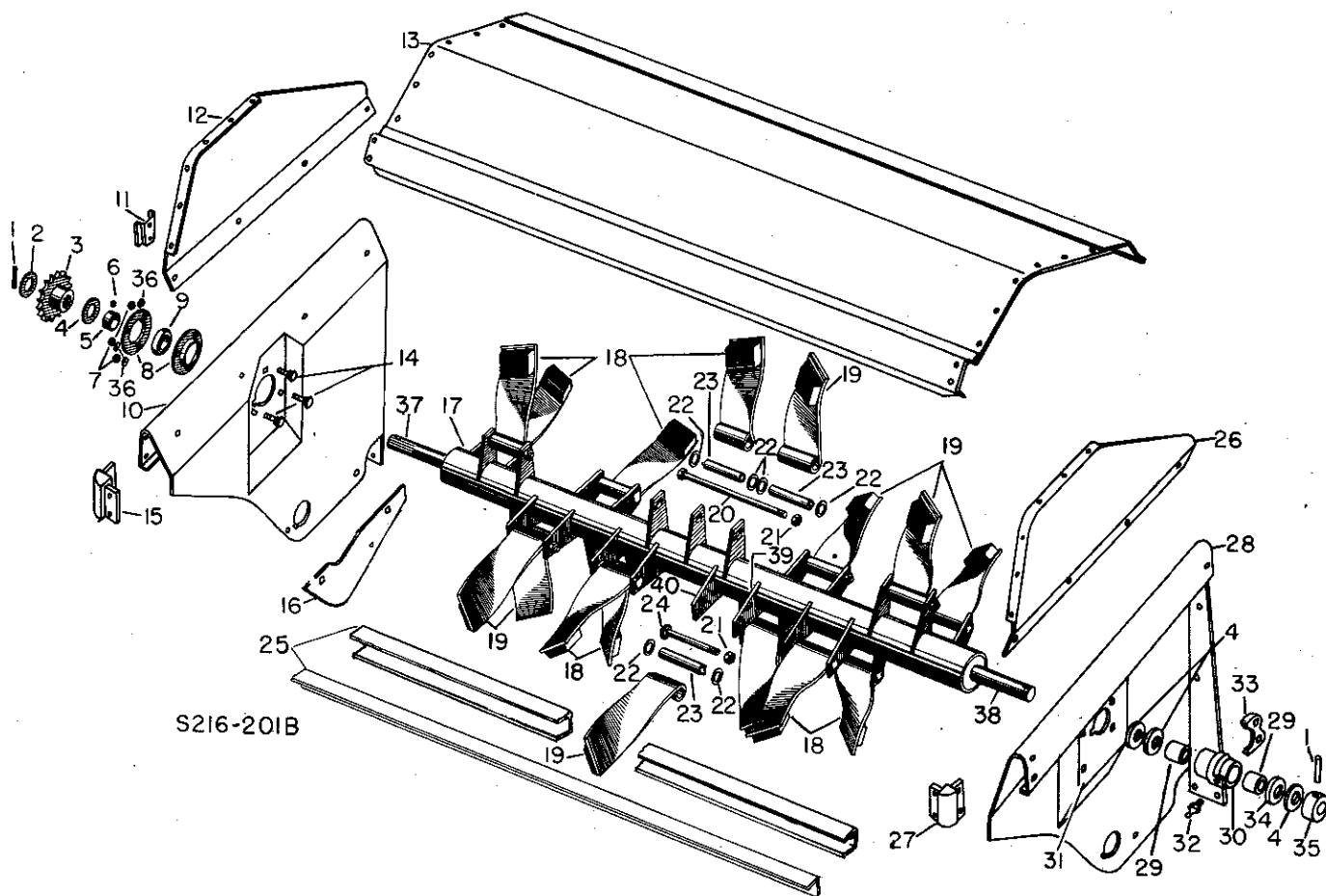
| Key | Part No. | Description | Used | Lot No. |
|-----|----------|--|------|---------|
| 1 | 714374 | Door Latch | 1 | 551- |
| 2 | 010214 | Cotter pin, 1/8 x 3/4" | 1 | 551- |
| 3 | 202911 | Door assembly | 1 | 478-543 |
| | 204449 | Door assembly | 1 | 551- |
| 4 | 202854 | Hinge pin, 3/16" dia. x 21-1/2" long | 1 | 478- |
| 5 | 202839 | Hinge | 1 | 478- |
| | 013929 | Carriage bolt, 3/8 x 3/4" | 4 | |
| | 013580 | Machine bolt, 3/8 x 3/4" | 1 | |
| 6 | 013241 | Rivet, 5/16 x 1-3/4" drilled | 1 | 551- |
| 7 | 010232 | Cotter pin, 3/16 x 1-3/4" | 1 | 478- |
| 8 | 010504 | Washer, 1-1/32" I.D. x 1-5/8" O.D. x 1/16" thick | A.R. | 478- |
| 9 | 202810 | Bearing assembly with (K 3320 phenolic bearing) | 1 | 478- |
| 10 | 011962 | Grease fitting, 1/8 N.P.T. | 1 | 478- |
| 11 | 202809 | Outboard bearing bracket | 1 | 478- |
| | 013931 | Carriage bolt, 3/8 x 1" | 3 | |
| 12 | K 3320 | Bearing - phenolic, 1-1/32" I.D., x 1-9/64" O.D. x 1" long | 1 | 478- |
| 13 | 200166 | Pawl | 3 | 478- |
| | 013620 | Machine bolt, 1/2 x 3" | 2 | |
| | 013625 | Machine bolt, 1/2 x 4-1/4" | 1 | |
| 14 | K 4545 | Pawl spring (order 203736) | 3 | 478-510 |
| | 203736 | Pawl spring | 3 | 524- |
| 15 | 200448 | Spacer, 17/32" I.D. x 3/4" O.D., x 1-3/8" long | 3 | 478- |
| 16 | 011441 | Washer, 1-1/32" I.D., x 3" O.D., x 1/16" thick | 1 | 478- |
| 17 | 202805 | Feed drive arm, L.H. | 1 | 478- |
| 18 | 011976 | Grease fitting, 1/4 N.S.T. straight | 2 | 478- |
| 19 | 202808 | 105 tooth ratchet wheel (splined) | 1 | 478- |
| 20 | 202812 | Feed selector assembly | 1 | 478- |
| 21 | 202806 | Feed drive arm, R.H. | 1 | 478- |
| 22 | K 4540 | Washer, 1-9/32" I.D. x 3" O.D. x 1/16" thick | 1 | 478- |
| 23 | 010508 | Washer, 1-9/32" I.D. x 1-3/4" O.D. x 1/16" thick | A.R. | 478- |
| 24 | 304772 | Spacer, 1-1/4" I.D. x 15/16" long | 1 | 478- |
| 25 | 010165 | Locknut, 1/2" | 1 | 478- |
| 26 | 010032 | Locknut, 5/8" | 1 | 478- |
| 27 | 200454 | Pawl spring pin, 1/4" dia., 3-7/8" long | 1 | 478- |
| 28 | 010209 | Cotter pin, 3/32 x 1/2" | 2 | 478- |
| 29 | 202850 | Feed selector rod, 7/16" dia., x 20-1/4" long | 1 | 478- |
| 30 | K 4637 | Compression spring for feed rod, 7/8" O.D. x 12" long, 35 coils | 1 | 478- |
| 31 | 010214 | Cotter pin, 1/8 x 3/4" | 6 | 478- |
| 32 | 010491 | Washer, 17/32" I.D., x 1" O.D., x 1/16" thick | 3 | 478- |
| 33 | M 349 | Feed control rod set collar, 1-5/16" dia., 1" long | 1 | 478- |
| 34 | K 1155 | Setscrew, square head, cup point, 3/8 x 5/8" | 1 | 478- |
| 35 | 202849 | Throwout arm | 1 | 478- |
| 36 | 202902 | Throwout rod, 7/16" dia., x 19-1/2" long | 1 | 478- |
| 37 | K 2882 | Washer, 15/32" I.D., x 15/16" O.D., x 1/16" thick | 3 | 478- |
| 38 | 202901 | Clutch fork | 1 | 478- |
| | 013600 | Machine bolt, 3/8 x 5" | 1 | |
| 39 | 202845 | Spacer, 13/32" I.D. x 5/8" O.D. x 4-1/8" long | 1 | 478- |
| 40 | 202903 | Fork support, upper | 1 | 478- |
| | 013824 | Carriage bolt, 3/8 x 1" | 2 | |
| 41 | 202904 | Fork support, lower | 1 | 478- |
| | 013824 | Carriage bolt, 3/8 x 1" | 2 | |
| 42 | K 3427 | Roll pin, 3/16 x 2" | 1 | 478- |
| 43 | 012714 | Washer, 1-9/32" I.D. x 2-1/2" O.D. x 7/64" thick | 1 | |
| 44 | 010791 | Compression spring, 5/32" dia. wire, 4 coils | 1 | 478- |
| 45 | 202819 | Clutch drive | 1 | 478- |
| 46 | 204581 | Spacer assembly (shouldered) with set screw 010771 | 1 | 551- |
| 47 | 710291 | Latch yoke | 1 | 551- |
| 48 | 010771 | Set screw, 5/16 x 5/8" hollow hd. cup point | 2 | 551- |
| 49 | 202873 | Sprocket assembly, 21 tooth with bearing | 1 | 478- |
| 50 | 011446 | Bearing bronze - sintered, 1-5/8" I.D. x 1-7/8" O.D. x 1-1/2" long | 1 | 478- |
| 51 | K 1781 | Washer, 1-9/32" I.D. x 2-3/8" O.D. x 1-1/16" thick | 2 | 478- |
| 52 | K 2810 | Locking collar, 1-1/4" dia. | 1 | 478- |
| 53 | K 2693 | Setscrew, 5/16 x 5/16" cup point | 1 | 478- |

FEED RATCHET WHEEL (Con't.)

| Key | Part No. | Description | Used | Lot No. |
|-----|----------|--|------|---------|
| 54 | 010163 | Locknut, 3/8" | 3 | 478- |
| 55 | K 2578 | Bearing housing | 2 | 478-497 |
| | K 5032 | Bearing housing | 2 | 503- |
| 56 | K 2751 | Bearing ball, 1-1/4" bore | 1 | 478- |
| 57 | K 4931 | Carriage bolt, 3/8 x 1" (Hardened) | 3 | 478- |
| 58 | 010162 | Locknut 5/16" | 4 | 551- |
| 59 | K 3004 | Washer, 13/32" I.D. x 13/16" O.D. x 1/16" thick | 2 | 478- |
| 60 | K 2883 | Wing nut, 3/8" | 2 | 478-543 |
| 61 | 203140 | Angle assembly, 9-1/2" long | 2 | 478-543 |
| | 013580 | Machine bolt, 3/8 x 3/4" | 4 | |
| 62 | 202820 | Spacer, 1-1/4" I.D. x 1-5/8" long (order 204581) | 1 | 478-543 |
| | 204581 | Spacer assembly 1-1/4" I.D. x 2" long (shouldered) includes 010771 set screws | 1 | 551- |
| 63 | 011450 | Set screw 1/4" x 5/8" hollow hd. cup point | 2 | 478-543 |
| 64 | 202821 | Collar, 1-5/8" I.D. x 2-1/8" O.D. x 7/16" (order 204581) | 1 | 478-543 |
| | 204581 | Spacer assembly, 1-1/4" I.D. x 2" long (shouldered) includes 010771 set screws | 1 | 551- |

(216 SECTION)

FLAIL CYLINDER, SIDE SHEETS AND HOOD



S216-201B

216 FLAIL

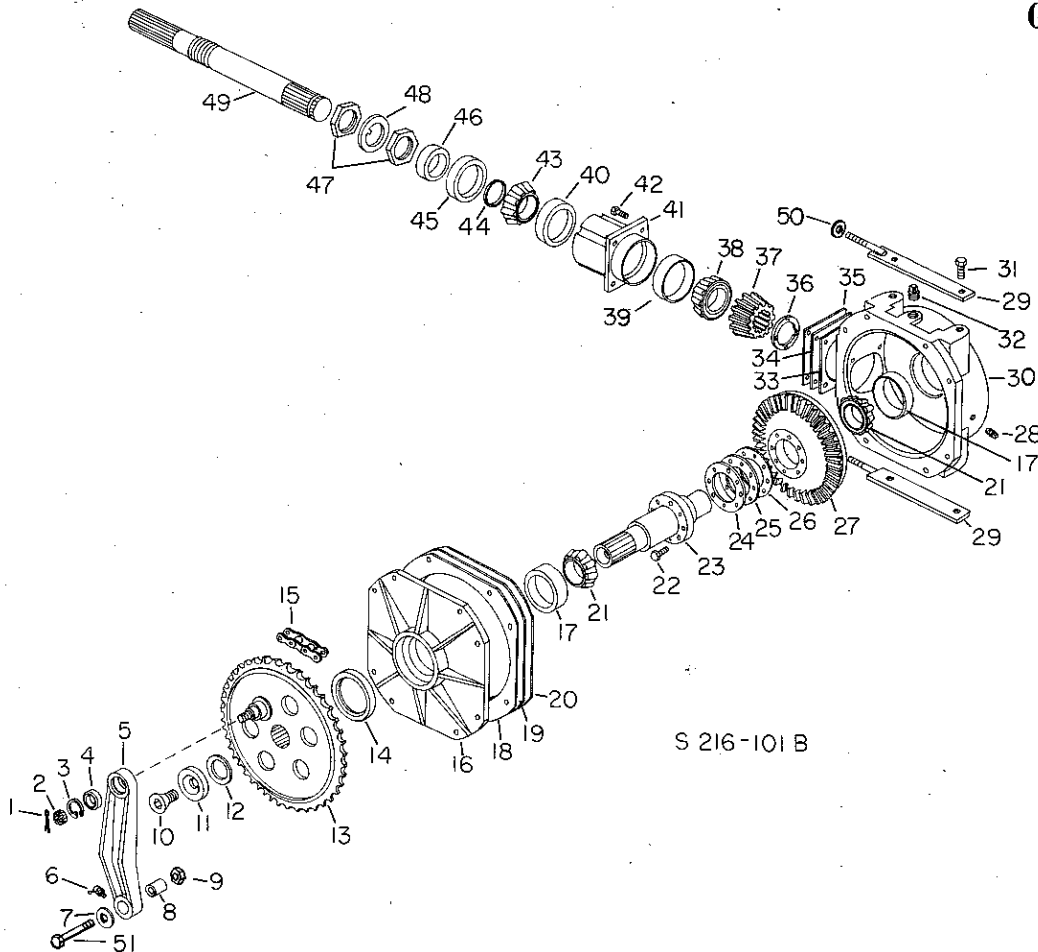
LOT 479 -

| Key | Part No. | Description | Used | Lot No. |
|-----|----------|--|------|---------|
| 1 | K 3427 | Roll pin, 5/16 x 2" | 2 | 479- |
| 2 | K 1781 | Washer, 1-9/32" I.D., x 2-3/8" O.D., x 1/16" thick | 1 | 479- |
| 3 | 202928 | 16 tooth sprocket assembly for #60 chain, splined | 1 | 479- |
| 4 | K 4795 | Washer, 1-9/32" I.D., x 1-7/8" O.D., x 1/16" thick | A.R. | 479- |
| 5 | K 2810 | Locking collar, 1-1/4" I.D. | 1 | 479-532 |
| | 010189 | Locking collar, 1-1/4" I.D. | 1 | 544- |
| 6 | K 2693 | Setscrew, 5/16 x 5/16" cup point | 1 | 479-532 |
| | K 1153 | Setscrew, 3/8 x 3/8" cup point | 1 | 544- |
| 7 | 010163 | Locknut, 3/8" | 3 | 479- |
| 8 | K 5032 | Bearing housing | 2 | 479-532 |
| | 012217 | Bearing housing | 2 | 544- |
| 9 | K 2751 | Bearing ball, 1-1/4" bore | 1 | 479-532 |
| | 010033 | Bearing ball, 1-1/4" bore | 1 | 544- |
| 10 | 202916 | Support plate assembly, L.H. | 1 | 479-532 |
| | 204447 | Support plate assembly, L.H. | 1 | 544- |
| | 013579 | Machine bolt 3/8 x 5/8" | 4 | |
| 11 | K 3801 | Socket lamp bracket | 1 | 479- |
| | 013083 | Rivet, truss hd., 3/16 x 3/8" | 1 | |
| | 013091 | Rivet, truss hd., 1/4 x 7/16" | 1 | |
| 12 | 202934 | Hood side assembly, L.H. | 1 | 479- |
| | 013929 | Carriage bolt, 3/8 x 3/4" | 5 | |
| 13 | 202937 | Hood top assembly | 1 | 479- |
| | 013929 | Carriage bolt, 3/8 x 3/4" | 20 | |
| 14 | K 4931 | Carriage bolt, 3/8 x 1" (hardened) | 3 | 479- |
| 15 | 202941 | Corner casting, L.H. | 1 | 479- |
| 16 | 202855 | Filler | 1 | 479-544 |
| | 204336 | Filler | 1 | 552- |
| | 013929 | Carriage bolt, 3/8 x 3/4" | 2 | |

FLAIL CYLINDER, SIDE SHEETS AND HOOD (Con't)

| Key | Part No. | Description | Used | Lot No. |
|-----|----------|---|------|---------|
| 17 | 202930 | Cylinder assembly | 1 | 479- |
| 18 | 202489 | Flail assembly, L.H. | 8 | 479- |
| 19 | 202488 | Flail assembly, R.H. | 8 | 479- |
| 20 | 201514 | Flail rod assembly, 5/8" dia., 9-3/4" long | 1 | 479- |
| 21 | 010032 | Locknut, 5/8" | 15 | 479- |
| 22 | 010030 | Washer, 21/32" I.D., x 1-1/2" O.D., x 3/16" thick | 48 | 479- |
| 23 | 201516 | Flail spacer, 21/32" I.D., 1" O.D., x 3-5/8" long | 16 | 479- |
| 24 | 010031 | Carriage bolt, 5/8 x 5-1/2" (hardened) | 14 | 479- |
| 25 | 202842 | Support angle, 1-1/2" x 2" x 3/16" x 64" long | 1 | 479-544 |
| | 204337 | Channel 2-1/2 x 1-1/2 x 64" long | 1 | 552- |
| 26 | 202936 | Hood side, R.H. | 1 | 479- |
| | 013929 | Carriage bolt, 3/8 x 3/4" | 5 | |
| 27 | 202942 | Corner casting, R.H. | 1 | 479- |
| 28 | 202921 | Support plate assembly R.H. (order 204444) | 1 | 479-544 |
| | 204444 | Support plate assembly R.H. | 1 | 552- |
| | 013579 | Machine bolt, 3/8 x 5/8" | 4 | |
| 29 | 011444 | Bearing, 1-1/4" I.D., x 1-1/2" O.D., x 1-1/8" long (bronze) | 2 | 479- |
| 30 | 202824 | Bearing assembly | 1 | 479- |
| 31 | 203180 | Wear plate | 1 | 479- |
| | 013824 | Carriage bolt, 3/8 x 1" | 2 | |
| 32 | 011962 | Grease fitting, 1/8 N.P.T. | 1 | 479- |
| 33 | 202702 | Bearing keeper | 1 | 479- |
| | 013826 | Carriage bolt, 3/8 x 1-1/2" | 2 | |
| 34 | 012840 | Washer, 1-9/32" I.D., x 2" O.D., x 3/32" thick (fiber) | 1 | 479- |
| 35 | 200048 | Collar, 1-1/4" I.D., x 1-7/8" O.D., x 3/4" long | 1 | 479- |
| 36 | K 3004 | Washer, 13/32" I.D., x 13/16" O.D., x 1/16" thick | 3 | 479- |
| 37 | 202932 | Stub shaft assembly, L.H. (splined) | 1 | 479- |
| 38 | 202832 | Stub shaft assembly, R.H. | 1 | 479- |
| 39 | 201509 | Flail Bracket (round hole) | 13 | 479- |
| 40 | 201508 | Flail Bracket (square hole) | 13 | 479- |

GEAR CASE



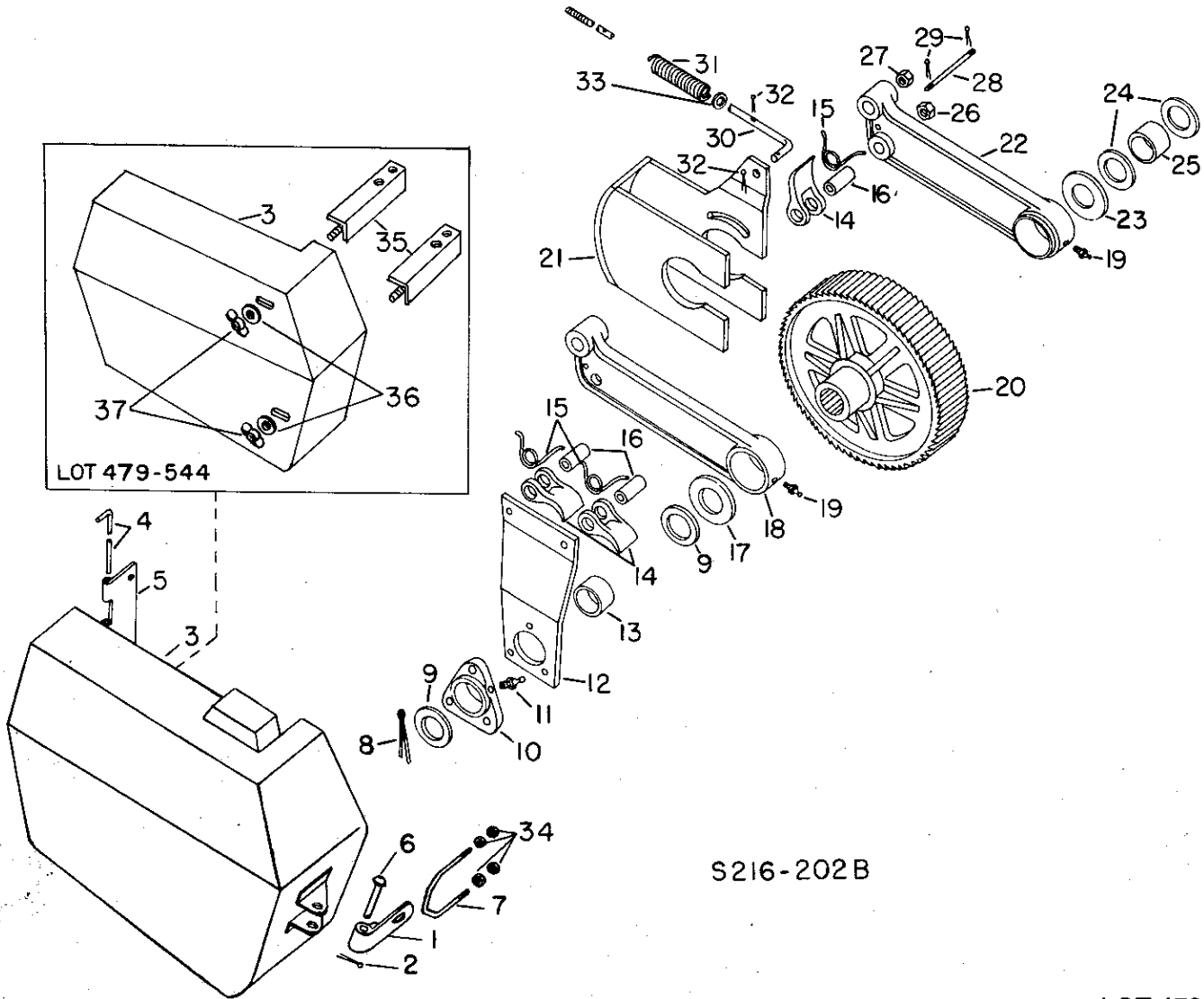
216 FLAIL

LOT 479

GEAR CASE (Con't.)

| Key | Part No. | Description | Used | Lot No. |
|-----|----------|---|------|---------|
| 1 | 010214 | Cotter pin, 1/8 x 3/4" | 1 | 479- |
| 2 | K 2097 | Nut, slotted, 1/2" | 1 | 479- |
| 3 | 010474 | Snap ring - internal | 1 | 479- |
| 4 | 010473 | Bearing ball, 43/64" I.D., 1-37/64" O.D. | 1 | 479- |
| 5 | 202804 | Crank Arm (order 203349) | 1 | 479-532 |
| | 203349 | Crank Arm | 1 | 544- |
| 6 | 011967 | Grease fitting, 1/8 N.P.T. 67-1/2 degree | 1 | 479- |
| 7 | K 3206 | Washer, 21/32" I.D., x 1-1/2" O.D. x 3/32" | 1 | 479- |
| 8 | 202807 | Bushing, 21/32" I.D., x 1" O.D., x 1-1/2" long | 1 | 479- |
| 9 | 010032 | Locknut, 5/8" | 1 | 479- |
| 10 | 014094 | Socket head screw (order 012289) | 1 | 479-544 |
| | 012289 | Socket head screw | 1 | 552- |
| 11 | 202794 | Washer, 2" O.D. x 3/16" thick | 1 | 479- |
| 12 | 202793 | Gasket, 1-1/8" I.D., x 2" O.D., x 1-1/6" thick | 1 | 479- |
| 13 | 202925 | 42 tooth sprocket for #60 chain (with crank pin) | 1 | 479- |
| | 202792 | Crank pin, 43/64" dia. x 2-1/2" | 1 | 479- |
| 14 | 010005 | Oil seal, 2-1/4" I.D., x 3-1/8" O.D. | 1 | 479- |
| 15 | 202943 | Roller chain, #60, 3/4" pitch, 70 pitches endless (For repair of chain, see page 63) | 1 | 479- |
| 16 | 202788 | Gear case cover assembly with bearing cup | 1 | 479- |
| | 013583 | Bolt, machine, 3/8 x 1" | 8 | |
| 17 | 010003 | Bearing cup, 3-1/16" O.D. | 2 | 479- |
| 18 | 202795 | Shim, .005 | A.R. | 479- |
| 19 | 202796 | Shim, .007 | A.R. | 479- |
| 20 | 202797 | Shim, .020 | A.R. | 479- |
| 21 | 010004 | Bearing cone, 1-35/32" I.D. | 2 | 479- |
| 22 | 011099 | Bolt, machine, 3/8 x 1-1/8" hardened | 8 | 479- |
| 23 | 202927 | Main shaft | 1 | 479- |
| 24 | 202800 | Shim, .005 | A.R. | 479- |
| 25 | 202801 | Shim, .007 | A.R. | 479- |
| 26 | 202802 | Shim, .020 | A.R. | 479- |
| 27 | 202799 | 38 tooth bevel gear | 1 | 479- |
| 28 | K 1336 | Pipe Plug, 1-8" sq. hd. | 1 | 479- |
| 29 | 202851 | Tightener assembly | 2 | 479- |
| 30 | 202924 | Gear case complete with 42 tooth sprocket | 1 | 479- |
| | 202786 | Gear case assembly with bearing cup | 1 | 479- |
| 31 | K 4729 | Bolt, machine, 5/8 x 1-1/4" hardened | 4 | 479- |
| 32 | 450135 | Breather plug, 1/2 - 14 sq. hd. | 1 | 479- |
| 33 | 010014 | Shim, .005 | A.R. | 479- |
| 34 | 010010 | Shim, .002 | A.R. | 479- |
| 35 | 010012 | Shim, .020 | A.R. | 479- |
| 36 | 010007 | Snap ring, interlocking | 2 | 479- |
| 37 | 201461 | 13 tooth bevel pinion gear | 1 | 479- |
| 38 | K 2284 | Bearing cone, 1-1/4" I.D. | 1 | 479- |
| 39 | K 2283 | Bearing cup, 2-7/16" O.D. | 1 | 479- |
| 40 | K 3548 | Bearing cup, 2-21/64" O.D. | 1 | 479- |
| 41 | 201463 | Cap assembly with bearing cups | 1 | 479- |
| 42 | 012683 | Bolt, machine, 3/8 x 1-1/4" hardened | 4 | 479- |
| 43 | K 3549 | Bearing cone, 1-1/4" I.D. | 1 | 479- |
| 44 | K 4958 | "O" ring seal, 1-1/2" O.D., 1-15/16" I.D. | 1 | 479- |
| 45 | K 4582 | Oil seal, 2-7/16" O.D., 1-11/16" I.D. | 1 | 479- |
| 46 | 010016 | Collar, 1-11/16" O.D., 1-1/4" I.D., 1/2" long | 1 | 479- |
| 47 | 0466 HS | Nut, 1-1/4 U.S. 12 thread, 3/8" thick | 2 | 479- |
| 48 | K 4544 | Locking washer, 2-1/4" O.D., x 1-9/32" I.D., 1/16" thick | 1 | 479- |
| 49 | 201460 | Pinion shaft, 10" long | 1 | 479- |
| 50 | K826 | Washer, 1/2" I.D., x 1-1/4" O.D., x 1/16" | 2 | 479- |
| 51 | 014096 | Machine bolt, 5/8 x 6" | 1 | 479- |

FEED RATCHET WHEEL



216 FLAIL

LOT 479-

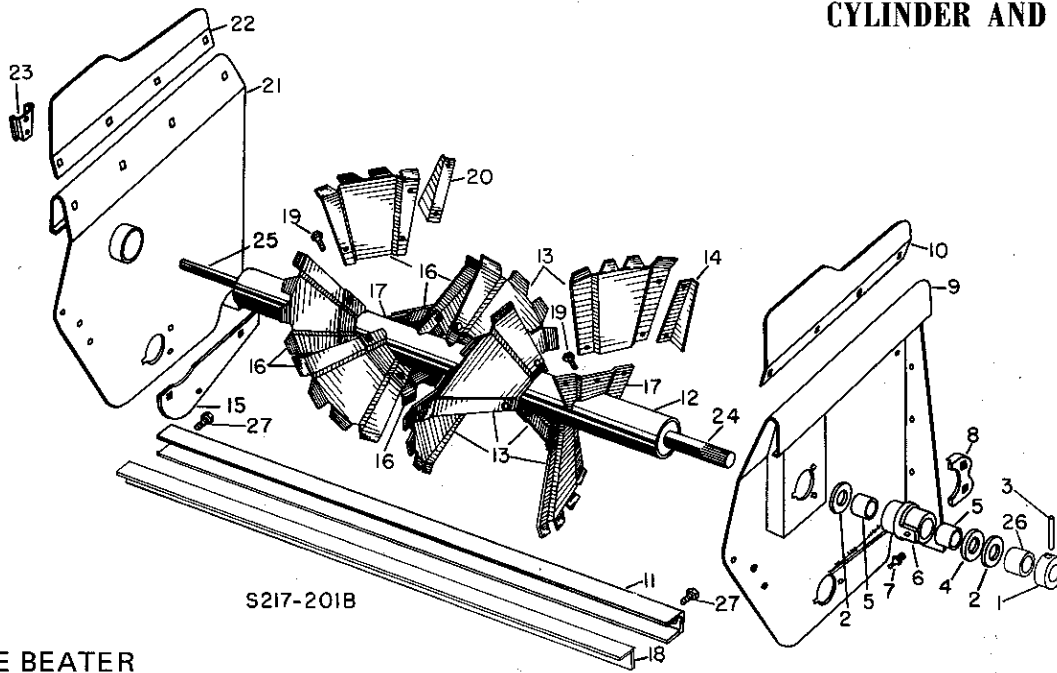
| Key | Part No. | Description | Used | Lot No. |
|-----|----------|--|------|---------|
| 1 | 714374 | Door latch | 1 | 552- |
| 2 | 010214 | Cotter pin, 1/8 x 3/4" | 1 | 552- |
| 3 | 202944 | Door Assembly | 1 | 479-544 |
| | 204445 | Door Assembly | 1 | 552- |
| 4 | 202854 | Hinge pin, 3/16" dia. x 21-1/2" long | 1 | 479- |
| 5 | 202839 | Hinge | 1 | 479- |
| | 013929 | Carriage bolt, 3/8 x 3/4" | 4 | |
| | 013580 | Machine bolt, 3/8 x 3/4" | 1 | |
| 6 | 013241 | Rivet, 5/16 x 1-3/4" | 1 | 552- |
| 7 | 710291 | Latch yoke | 1 | 552- |
| | 013580 | Machine bolt, 3/8 x 3/4" | 2 | |
| 8 | 010232 | Cotter pin, 3/16 x 1-3/4" | 1 | 479- |
| 9 | 010504 | Washer, 1-1/32" I.D., x 1-5/8" O.D., x 1/16" thick | A.R. | 479- |
| 10 | 202810 | Bearing assembly (with K 3320 phenolic bearing) | 1 | 479- |
| 11 | 011962 | Grease fitting, 1/8 N.P.T. | 1 | 479- |
| 12 | 202809 | Outboard bearing bracket | 1 | 479- |
| | 013931 | Carriage bolt, 3/8 x 1" | 3 | |
| 13 | K 3320 | Bearing, phenolic, 1-1/32" I.D., x 1-9/64" O.D., x 1" long | 1 | 479- |
| 14 | 200166 | Pawl | 3 | 479- |
| | 013620 | Machine bolt, 1/2 x 3" | 2 | |
| | 013625 | Machine bolt, 1/2 x 4-1/4" | 1 | |

FEED RATCHET WHEEL (Con't.)

| Key | Part No. | Description | Used | Lot No. |
|-----|----------|---|------|---------|
| 15 | K 4545 | Pawl spring (order 203736) | 3 | 479-517 |
| | 203736 | Pawl spring | 3 | 525- |
| 16 | 200448 | Spacer, 17/32" I.D., x 3/4" O.D., x 1-3/8" long | 3 | 479- |
| 17 | 011441 | Washer, 1-1/32" I.D., x 3" O.D., x 1/16" thick | 1 | 479- |
| 18 | 202805 | Feed drive arm, L.H. | 1 | 479- |
| 19 | 011976 | Grease fitting, 1/4 NST straight | 2 | 479- |
| 20 | 202808 | 105 tooth ratchet wheel (splined) | 1 | 479- |
| 21 | 202812 | Feed selector assembly | 1 | 479- |
| 22 | 202806 | Feed drive arm, R.H. | 1 | 479- |
| 23 | K 4540 | Washer, 1-9/32" I.D., x 3" O.D., x 1/16" thick | 1 | 479- |
| 24 | 010508 | Washer, 1-9/32" I.D., x 1-3/4" O.D., x 1/16" thick | A.R. | 479- |
| 25 | 304772 | Spacer, 1-1/4" I.D. x 15/16" long | 1 | 479- |
| 26 | 010165 | Locknut, 1/2" | 1 | 479- |
| 27 | 010032 | Locknut, 5/8" | 1 | 479- |
| 28 | 200454 | Pawl spring pin, 1/4" dia. 3-7/8" long | 1 | 479- |
| 29 | 010209 | Cotter pin, 3/32 x 1/2" | 2 | 479- |
| 30 | 202850 | Feed selector rod, 7/16" dia. x 20-1/4" long | 1 | 479- |
| 31 | K 4637 | Compression spring for feed rod, 7/8" O.D. x 12" long, 35 coils | 1 | 479- |
| 32 | 010214 | Cotter pin, 1/8 x 3/4" | 2 | 479- |
| 33 | 010491 | Washer, 17/32" I.D., x 1" O.D., x 1/16" thick | 1 | 479- |
| 34 | 010162 | Locknut, 5/16" | 4 | 479- |
| 35 | 203139 | Angle assembly, 8-13/32" long | 2 | 479-544 |
| 36 | K 3004 | Washer, 13/32" I.D., 13/16" O.D. x 1/16" thick | 2 | 479-544 |
| 37 | K 2883 | Wing nut, 3/8" | 2 | 479-544 |

(217 SECTION)

CYLINDER AND SIDE SHEET

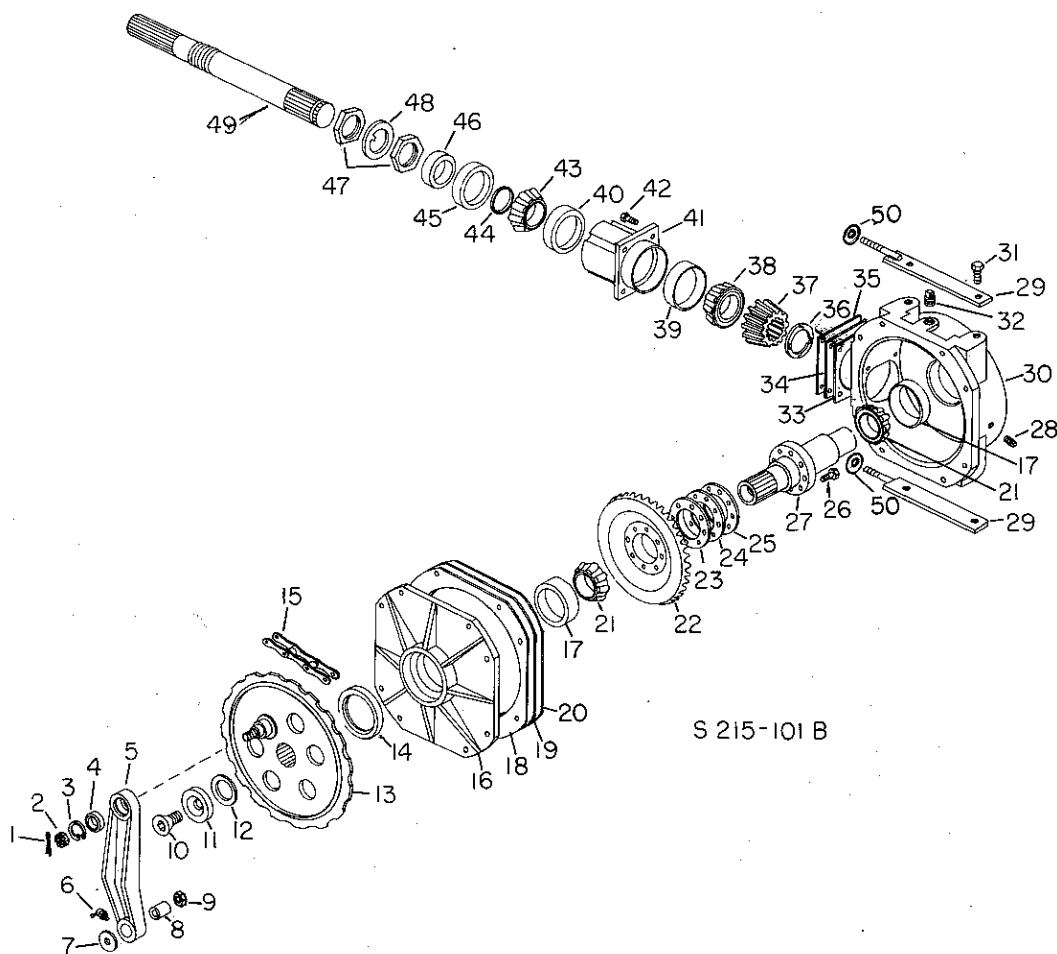


217 SINGLE BEATER

LOT 480 -

| Key | Part No. | Description | Used | Lot No. |
|-----|----------|---|------|---------|
| 1 | 200048 | Collar, 1-1/4" I.D. x 1-7/8" O.D. x 3/4" long | 1 | 480- |
| 2 | K 4795 | Washer, 1-9/32" I.D., x 1-7/8" O.D., x 1/16" thick | A.R. | 480- |
| 3 | K 3427 | Roll pin, 5/16 x 2" | 1 | 480- |
| 4 | 012840 | Washer, 1-9/32" I.D., x 2" O.D. x 3/32" thick (Fiber) | 1 | 480- |
| 5 | 011444 | Bearing, 1-1/4" I.D. x 1-1/2" O.D. x 1-1/8" long (Bronze) | 2 | 480- |
| 6 | 202824 | Bearing assembly | 1 | 480- |
| 7 | 011962 | Grease fitting, 1/8 N.P.T. | 1 | 480- |
| 8 | 202702 | Bearing keeper | 1 | 480- |
| | 013825 | Carriage bolt, 3/8 x 1-1/4" | 2 | |
| 9 | 202782 | Support plate assembly, R.H. (order 204330) | 1 | 480-545 |
| | 204330 | Support plate assembly | 1 | 553- |
| 10 | 202838 | Shield, R.H. | 1 | 480- |
| | 013929 | Carriage bolt, 3/8 x 3/4" | 4 | |
| 11 | 204337 | Support channel 2-1/4" x 1-1/2" x 64" long | 1 | 553- |
| 12 | 202826 | Cylinder assembly (less paddles) | 1 | 480-505 |
| | 203687 | Cylinder assembly (less paddles) | 1 | 512-545 |
| | 204339 | Cylinder assembly (less paddles) | 1 | 553- |
| 13 | 201804 | Paddle, right | 6 | 480-505 |
| | 203693 | Paddle, right | 6 | 512- |
| 14 | 202834 | Scraper plate, R.H. | 1 | 480-505 |
| | 203692 | Scraper plate, R.H. | 1 | 512- |
| | 013583 | Machine bolt, 3/8 x 1" | 1 | |
| 15 | 202855 | Filler sheet | 1 | 480-545 |
| | 204336 | Filler sheet | 1 | 553- |
| 16 | 201805 | Paddle, left | 6 | 480-505 |
| | 203694 | Paddle, left | 6 | 512- |
| 17 | 202161 | Paddle support, R.H. & L.H. | 12 | 480-505 |
| | 203690 | Paddle support, R.H. & L.H. | 12 | 512- |
| 18 | 202842 | Support angle, 1-1/4" x 2" x 3/16" x 64" long | 1 | 480-545 |
| 19 | 010476 | Machine bolt, 1/2" x 1-1/4" (hardened) | 24 | 480-505 |
| | 011029 | Machine bolt, 5/8" x 1-1/2" (hardened) | 24 | 512- |
| 20 | 202835 | Scraper plate, L.H. | 1 | 480-505 |
| | 203692 | Scraper plate, L.H. | 1 | 512- |
| | 013583 | Machine bolt, 3/8 x 1" | 1 | |
| 21 | 202773 | Support - plate assembly, L.H. | 1 | 480-545 |
| | 204326 | Support - plate assembly, L.H. | 1 | 553- |
| 22 | 202836 | Shield assembly, L.H. | 1 | 480- |
| | 013929 | Carriage bolt, 3/8 x 3/4" | 4 | |
| 23 | K 3801 | Socket lamp bracket | 1 | 480- |
| | 013083 | Rivet, truss hd., 3/16 x 3/8" | 1 | |
| | 013091 | Rivet, truss hd., 1/4 x 7/16" | 1 | |
| 24 | 202832 | Stub shaft assembly, R.H. | 1 | 480-545 |
| | 204341 | Stub shaft assembly, R.H. (splined) | 1 | 553- |
| 25 | 202829 | Stub shaft assembly, L.H. (splined) | 1 | 480- |
| 26 | 575830 | Spacer 1-1/4" STD. black pipe 1-1/2" long | 1 | 553- |
| 27 | 010476 | Machine bolt, 1/2 x 1-1/4", hardened, grade 5 | 4 | 553- |

GEAR CASE



217 SINGLE BEATER

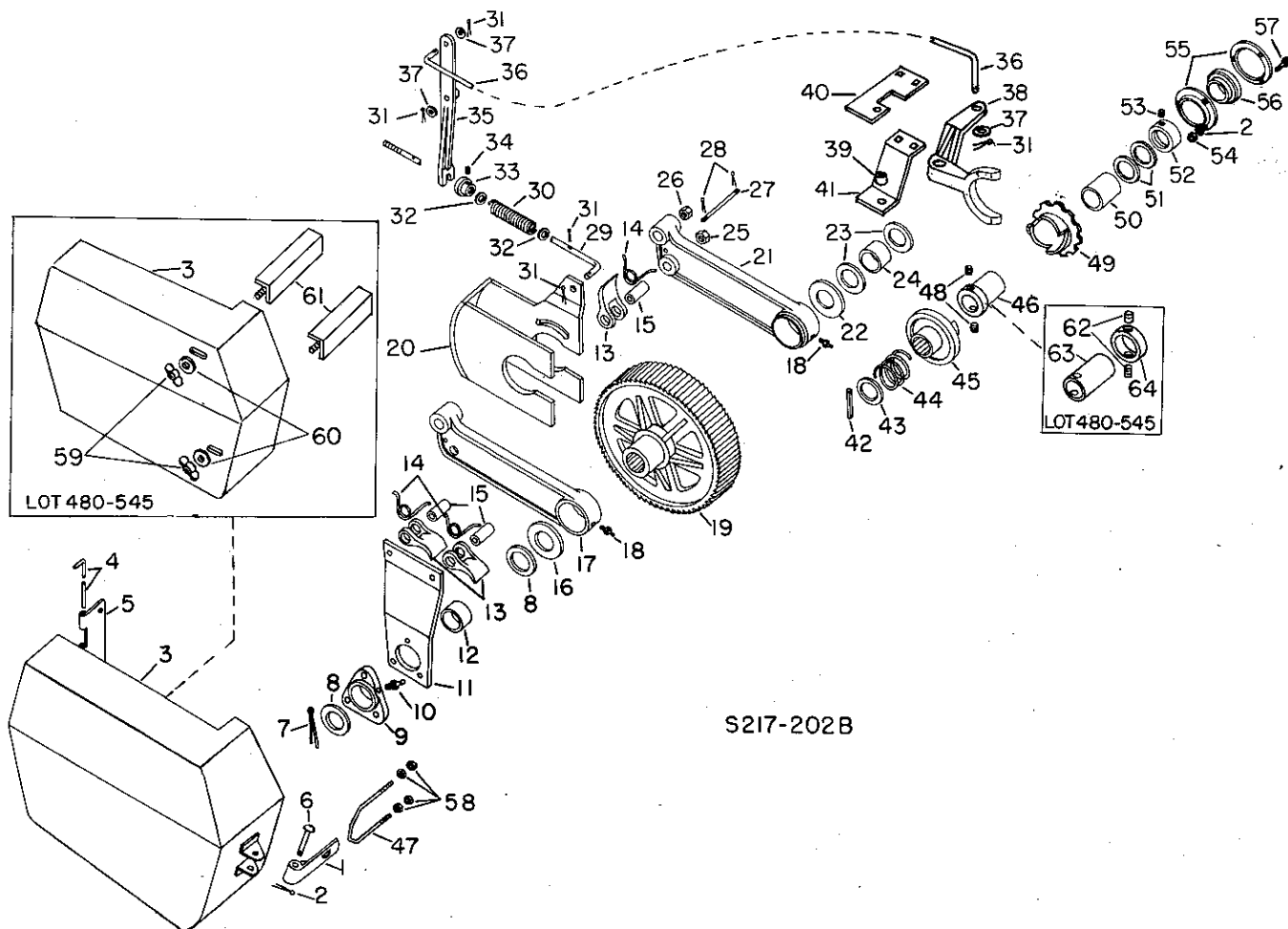
LOT 480 -

| Key | Part No. | Description | Used | Lot No. |
|-----|----------|---|------|---------|
| 1 | 010214 | Cotter pin, 1/8 x 3/4" | 1 | 480- |
| 2 | K 2097 | Nut, slotted, 1/2" | 1 | 480- |
| 3 | 010474 | Snap ring - internal | 1 | 480- |
| 4 | 010473 | Bearing ball, 43/64" I.D., x 1-37/64" O.D. | 1 | 480- |
| 5 | 202804 | Crank arm (order 203349) | 1 | 480-537 |
| | 203349 | Crank arm | 1 | 545- |
| | 014096 | Machine bolt 5/8 x 6" | 1 | |
| 6 | 011967 | Grease fitting, 1/8 N.P.T. 67-1/2 degree | 1 | 480- |
| 7 | K 3206 | Washer, 21/32" I.D., x 1-1/2" O.D., x 3/32" | 1 | 480- |
| 8 | 202807 | Bushing, 21/32" I.D., x 1" O.D., x 1-1/2" long | 1 | 480- |
| 9 | 010032 | Locknut, 5/8" | 1 | 480- |
| 10 | 014094 | Socket head screw (order 012289) | 1 | 480-545 |
| | 012289 | Socket head screw | 1 | 553- |
| 11 | 202794 | Washer, 2" O.D. x 3/16" thick | 1 | 480- |
| 12 | 202793 | Gasket, 1-1/8" I.D. x 2" O.D. x 1/16" thick | 1 | 480- |
| 13 | 202790 | 21 tooth sprocket for #2060 chain with crank pin | 1 | 480- |
| | 202792 | Crank pin, 43/64" dia. x 2-1/2" | 1 | 480- |
| 14 | 010005 | Oil seal, 2-1/4" I.D., 3-1/8" O.D. | 1 | 480- |
| 15 | 202853 | Roller chain, No. 2060, 1-1/2" pitch, 34 total pitches. (For repair of chain, see page 63) | 1 | 480- |
| 16 | 202788 | Gear case cover assembly with bearing cup | 1 | 480- |
| | 013583 | Bolt, machine, 3/8 x 1" | 8 | |

GEAR CASE (Con't.)

| Key | Part No. | Description | Used | Lot No. |
|-----|----------|--|------|---------|
| 17 | 010003 | Bearing cup, 3-1/16" O.D. | 2 | 480- |
| 18 | 202795 | Shim, .005 | A.R. | 480- |
| 19 | 202796 | Shim, .007 | A.R. | 480- |
| 20 | 202797 | Shim, .020 | A.R. | 480- |
| 21 | 010004 | Bearing cone, 1-25/32" I.D. | 2 | 480- |
| 22 | 202799 | 38 tooth bevel gear | 1 | 480- |
| 23 | 202800 | Shim, .005 | A.R. | 480- |
| 24 | 202801 | Shim, .007 | A.R. | 480- |
| 25 | 202802 | Shim, .020 | A.R. | 480- |
| 26 | 011099 | Bolt, machine, 3/8 x 1-1/8" hardened | 8 | 480- |
| 27 | 202798 | Main shaft | 1 | 480- |
| 28 | K 1336 | Pipe plug, 1/8" sq. hd. | 1 | 480- |
| 29 | 202851 | Tightener assembly | 2 | 480- |
| 30 | 202786 | Gear case assembly with bearing cup | 1 | 480- |
| | 202785 | Gear case complete with 21 tooth sprocket | 1 | 480- |
| 31 | K 4729 | Bolt, machine, 5/8 x 1-1/4" hardened | 4 | 480- |
| 32 | 450135 | Breather plug, 1/2" sq. hd. | 1 | 480- |
| 33 | 010014 | Shim, .005 | A.R. | 480- |
| 34 | 010010 | Shim, .002 | A.R. | 480- |
| 35 | 010012 | Shim, .020 | A.R. | 480- |
| 36 | 010172 | Snap ring kit - interlocking | 2 | 480- |
| 37 | 201461 | 13 tooth bevel pinion gear | 1 | 480- |
| 38 | K-2284 | Bearing cone, 1-1/4" I.D. | 1 | 480- |
| 39 | K 2283 | Bearing cup, 2-7/16" O.D. | 1 | 480- |
| 40 | K 3548 | Bearing cup, 2-21/64" O.D. | 1 | 480- |
| 41 | 201463 | Cap assembly with bearing cups | 1 | 480- |
| 42 | 012683 | Bolt, machine, 3/8 x 1-1/4" hardened | 4 | 480- |
| 43 | K 3549 | Bearing cone, 1-1/4" I.D. | 1 | 480- |
| 44 | K 4958 | "O" ring seal, 1-1/2" O.D., 1-15/16" I.D. | 1 | 480- |
| 45 | K 4582 | Oil seal, 2-7/16" O.D., 1-11/16" I.D. | 1 | 480- |
| 46 | 010016 | Collar, 1-11/16" O.D., 1-1/4" I.D., 1/2" long | 1 | 480- |
| 47 | 0466 HS | Nut, 1-1/4" | 2 | 480- |
| 48 | K 4544 | Locking washer, 2-1/4" O.D., 1-9/32" I.D., 1/16" thick | 1 | 480- |
| 49 | 201460 | Pinion shaft, 10" long | 1 | 480- |
| 50 | K 826 | Washer, 1/2" I.D. x 1-1/4" O.D., 1/16" | 2 | 480- |

FEED RATCHET WHEEL



217 SINGLE BEATER

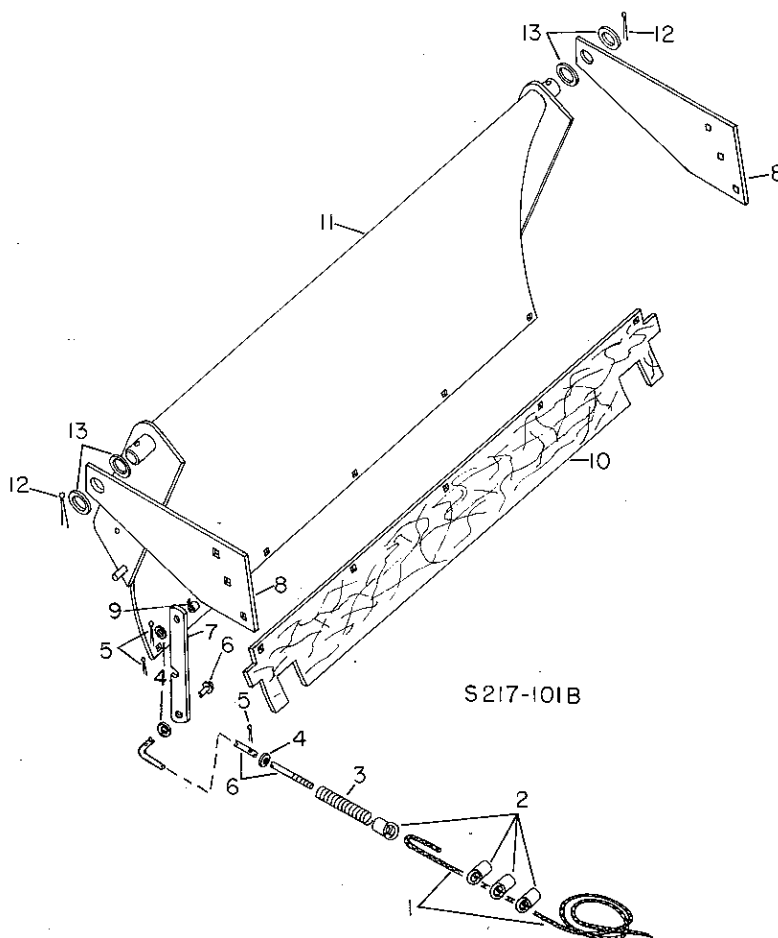
LOT 480 -

| Key | Part No. | Description | Used | Lot No. |
|-----|----------|---|------|---------|
| 1 | 714374 | Door latch | 1 | 553- |
| 2 | 010214 | Cotter pin, 1/8 x 3/4" | 1 | 553- |
| 3 | 202856 | Door assembly | 1 | 480-545 |
| | 204332 | Door assembly | 1 | 553- |
| 4 | 202854 | Hinge pin, 3/16" dia. x 21-1/2" long | 1 | 480- |
| 5 | 202839 | Hinge | 1 | 480- |
| | 013929 | Carriage bolt, 3/8 x 3/4" | 4 | |
| | 013580 | Machine bolt, 3/8 x 3/4" | 1 | |
| 6 | 013241 | Rivet, 5/16 x 1-3/4" drilled | 1 | 553- |
| 7 | 010232 | Cotter pin, 3/16 x 1-3/4" | 1 | 480- |
| 8 | 010504 | Washer, 1-1/32" I.D. x 1-5/8" O.D. x 1/16" thick | A.R. | 480- |
| 9 | 202810 | Bearing assembly (with K 3320 phenolic bearing) | 1 | 480- |
| 10 | 011962 | Grease fitting, 1/8 N.P.T. | 1 | 480- |
| 11 | 202809 | Outboard bearing bracket | 1 | 480- |
| | 013931 | Carriage bolt, 3/8 x 1" | 3 | |
| 12 | K 3320 | Bearing phenolic, 1-1/32" I.D. x 1-9/64" O.D. x 1" long | 1 | 480- |
| 13 | 200166 | Pawl | 3 | 480- |
| | 013620 | Machine bolt, 1/2 x 3" | 2 | |
| | 013625 | Machine bolt, 1/2 x 4-1/4" | 1 | |
| 14 | K 4545 | Pawl Spring (order 203736) | 3 | 480-518 |
| | 203736 | Pawl Spring | 3 | 526- |

FEED RATCHET WHEEL (Con't.)

| Key | Part No. | Description | Used | Lot No. |
|-----|----------|---|------|---------|
| 15 | 200448 | Spacer, 17/32" I.D. x 3/4" O.D. x 1-3/8" long | 3 | 480- |
| 16 | 011441 | Washer, 1-1/32" I.D. x 3" O.D. x 1/16" thick | 1 | 480- |
| 17 | 202805 | Feed drive arm, L.H. | 1 | 480- |
| 18 | 011976 | Grease fitting, 1/4 N.S.T. straight | 2 | 480- |
| 19 | 202808 | 105 tooth ratchet wheel (splined) | 1 | 480- |
| 20 | 202812 | Feed selector assembly | 1 | 480- |
| 21 | 202806 | Feed drive arm, R.H. | 1 | 480- |
| 22 | K 4540 | Washer, 1-9/32" I.D. x 3" O.D. x 1/16" thick | 1 | 480- |
| 23 | 010508 | Washer, 1-9/32" I.D. x 1-3/4" O.D. x 1/16" thick | A.R. | 480- |
| 24 | 304772 | Spacer, 1-1/4" I.D. x 15/16" long | 1 | 480- |
| 25 | 010165 | Locknut, 1/2" | 1 | 480- |
| 26 | 010032 | Locknut, 5/8" | 1 | 480- |
| 27 | 200454 | Pawl spring pin, 1/4" dia. 3-7/8" long | 1 | 480- |
| 28 | 010209 | Cotter pin, 3/32 x 1/2" | 2 | 430- |
| 29 | 202850 | Feed selector rod, 7/16" dia. x 20-1/4" long | 1 | 480- |
| 30 | K 4637 | Compression spring for feed rod, 7/8" O.D. x 12" long, 35 coils | 1 | 480- |
| 31 | 010214 | Cotter pin, 1/8 x 3/4" | 5 | 480- |
| 32 | 010491 | Washer, 17/32" I.D. x 1" O.D. x 1/16" thick | 2 | 480- |
| 33 | M 349 | Feed control rod set collar, 1-5/16" dia., 1" long | 1 | 480- |
| 34 | K 1155 | Setscrew, square head, cup point, 3/8 x 5/8" | 1 | 480- |
| 35 | 202849 | Throwout arm | 1 | 480- |
| 36 | 202846 | Throwout rod, 7/16" dia. x 15-1/16" long | 1 | 480- |
| 37 | K 2882 | Washer, 15/32" I.D. x 15/16" O.D. x 1/16" thick | 3 | 480- |
| 38 | 202843 | Clutch fork | 1 | 480- |
| | 013591 | Machine bolt, 3/8 x 2-1/4" | 1 | 480- |
| 39 | 202844 | Spacer, 13/32" I.D. x 5/8" O.D. x 1-1/4" long | 1 | 480- |
| 40 | 202848 | Fork support - upper | 1 | 480- |
| | 013824 | Carriage bolt, 3/8 x 1" | 2 | 480- |
| 41 | 202847 | Fork support - lower | 1 | 480- |
| | 013824 | Carriage bolt, 3/8 x 1" | 2 | 480- |
| 42 | K 3427 | Roll pin, 5/16 x 2" | 1 | 480- |
| 43 | 012714 | Washer, 1-9/32" I.D. x 2-1/2" O.D. x 7/64" thick | 1 | 480- |
| 44 | 010791 | Compression spring, 5/32" dia. wire, 4coils | 1 | 480- |
| 45 | 202819 | Clutch driver | 1 | 480- |
| 46 | 204581 | Spacer assembly (shouldered) with 010771 set screw | 1 | 553- |
| 47 | 710291 | Latch Yoke | 1 | 553- |
| 48 | 010771 | Set screw, 5/16 x 5/8" hollow hd. cup point | 2 | 553- |
| 49 | 202822 | Sprocket assembly, 11 tooth with 011446 bearing | 1 | 480- |
| 50 | 011446 | Bearing bronze, 1-5/8" I.D. x 1-7/8" O.D. x 1-1/2" | 1 | 480- |
| 51 | K 1781 | Washer, 1-9/32" I.D. x 2-3/8" O.D. x 1/16" thick | 2 | 480- |
| 52 | K 2810 | Locking collar, 1-1/4" dia. | 1 | 480-545 |
| | 010189 | Locking collar, 1-1/4" dia. | 1 | 553- |
| 53 | K 2693 | Setscrew, 5/16 x 5/16" cup point | 1 | 480- |
| 54 | 010163 | Locknut, 3/8" | 3 | 480- |
| 55 | K 2578 | Bearing housing | 2 | 480-486 |
| | K 5032 | Bearing housing | 2 | 494-545 |
| | 012217 | Bearing housing | 2 | 553- |
| 56 | K 2751 | Bearing ball, 1-1/4" I.D. | 1 | 480-545 |
| | 010033 | Bearing ball, 1-1/4" I.D. x 2-27/32" x 3/4" | 1 | 553- |
| 57 | K 4931 | Carriage bolt, 3/8 x 1" (hardened) | 3 | 480- |
| 58 | 010162 | Lock nut 5/16" | 4 | 553- |
| 59 | K 2883 | Wing nut 3/8" | 2 | 480-545 |
| 60 | K 3004 | Washer, 13/32" I.D. x 13/16" O.D. x 1/16" thick | 2 | 480-545 |
| 61 | 203140 | Angle assembly | 2 | 480-545 |
| 62 | 011450 | Set screw 1/4" x 5/8" hollow head cup point | 2 | 480-545 |
| 63 | 202820 | Spacer, 1-1/4" I.D. x 1-5/8" long (order 204581) | 1 | 480-545 |
| | 204581 | Spacer assembly, 1-1/4" I.D. x 2" long (shouldered), includes 010771 set screws | 1 | 553- |
| 64 | 202821 | Collar, 1-5/8" I.D. x 2-1/8" O.D. x 7/16" (order 204581) | 1 | 480-545 |
| | 204581 | Spacer assembly 1-1/4" I.D. x 2" long (shouldered) includes 010771 set screws | 1 | 553- |

**PAN (OPTIONAL)
USED WITH 217
SINGLE BEATER**

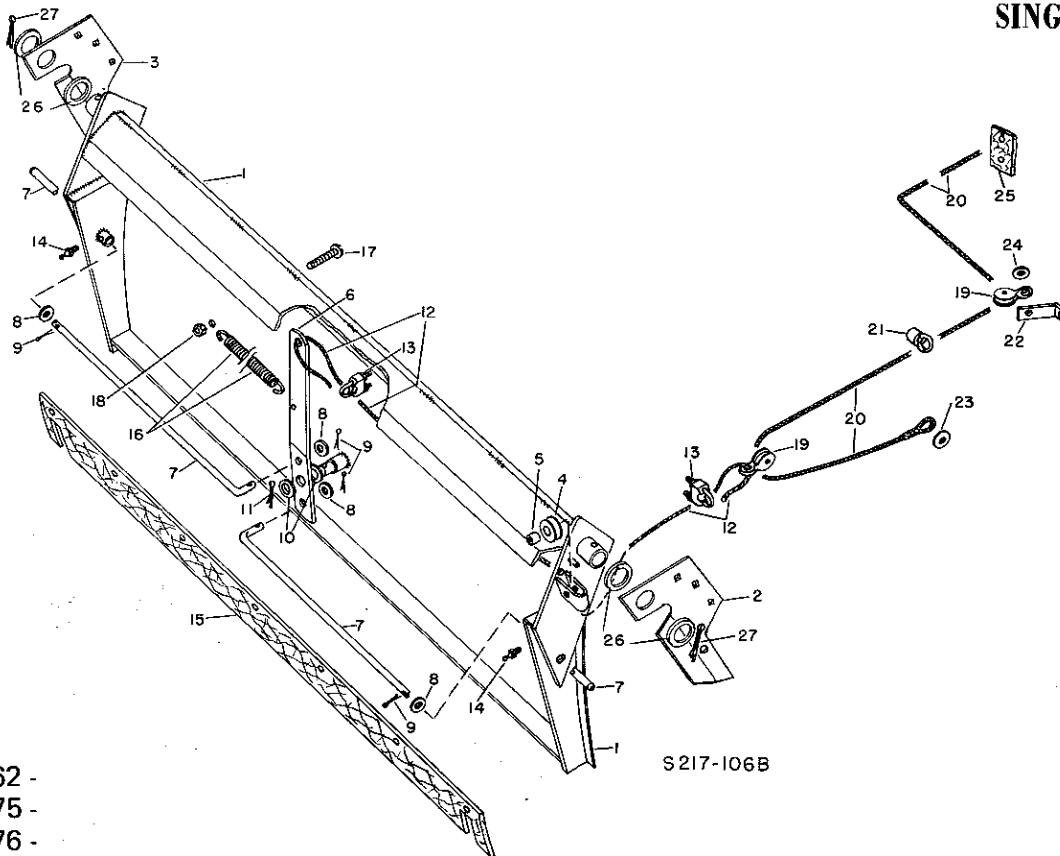


211 BOX 562 -
212 BOX 475 -
213 BOX 476 -
214 BOX 477 -

217 SINGLE BEATER LOT 480 -

| Key | Part No. | Description | Used | Lot No. |
|-----|----------|--|------|---------|
| 1 | 203529 | Rope, 5/16" dia., 24" long | 1 | 475- |
| 2 | 200554 | Rope guide | 4 | 475- |
| 3 | K 3066 | Spring - compression, 5/64" dia. wire, 15 coils, 3-3/8" long | 1 | 475- |
| 4 | K 3004 | Washer, 13/32" I.D., x 13/16" O.D., x 1/16" | 3 | 475- |
| 5 | 010214 | Cotter pin, 1/8 x 3/4" | 2 | 475- |
| 6 | 203051 | Trip rod assembly, 3/8" rd. 28-1/4" long | 1 | 475- |
| | 203430 | Trip rod assembly, 3/8" rd. 29" long | 1 | 475- |
| 7 | 202506 | Latch, 8-1/2" long | 1 | 475- |
| | 203433 | Latch, 10-7/8" long | 1 | 475- |
| | 013825 | Carriage bolt, 3/8" x 1-1/4" | 1 | 475- |
| 8 | 203049 | Support plate | 2 | 475- |
| | 013823 | Carriage bolt, 3/8 x 7/8" | 4 | 475- |
| 9 | 2642 P | Bushing, 9/16" O.D. x 5/16" long | 1 | 475- |
| 10 | 203050 | Sealer strip | 1 | 475- |
| | 013824 | Carriage bolt, 3/8 x 1" | 5 | 475- |
| 11 | 203042 | Pan assembly | 1 | 475- |
| 12 | 010232 | Cotter pin, 3/16 x 1-3/4" | 2 | 475- |
| 13 | 010487 | Washer, 1-13/32" I.D., x 2-3/16" O.D., x 1/16" | 4 | 475- |

**PAN (OPTIONAL)
USED WITH 217
SINGLE BEATER**



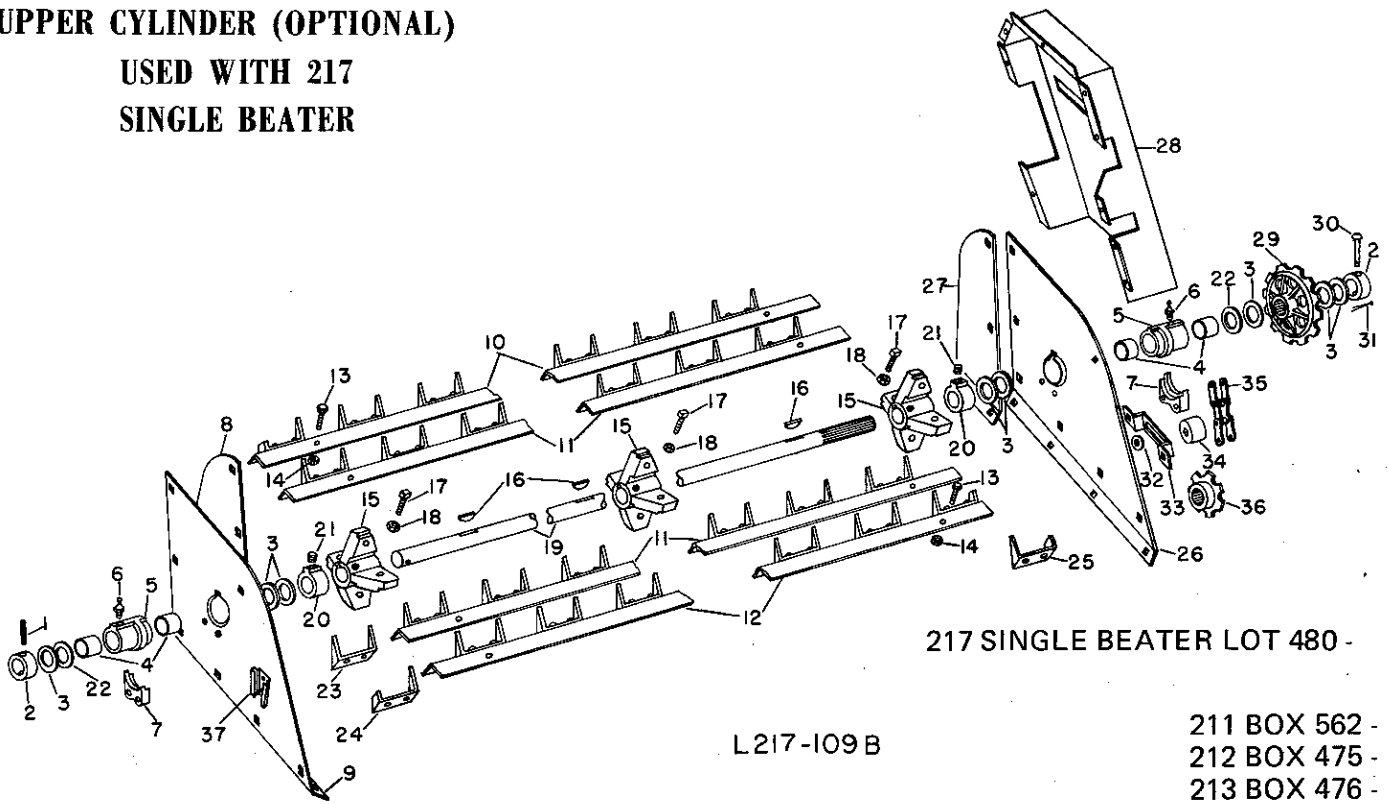
S217-106B

211 BOX 562 -
212 BOX 475 -
213 BOX 476 -
214 BOX 477 -

217 SINGLE BEATER LOT 480 -

| Key | Part No. | Description | Used | Lot No. |
|-----|----------|--|------|---------|
| 1 | 204489 | Pan assembly | 1 | 475- |
| 2 | 204468 | Support assembly, R.H. | 1 | 475- |
| | 013823 | Carriage bolt, 3/8 x 7/8" | 3 | 475- |
| 3 | 204467 | Support assembly, L.H. | 1 | 475- |
| | 013823 | Carriage bolt, 3/8 x 7/8" | 3 | 475- |
| 4 | 125 ME | Cable roller | 1 | 475- |
| 5 | K 1652 | Bushing, 9/16" O.D. x 9/16" long | 1 | 475- |
| 6 | 204433 | Lever | 1 | 475- |
| 7 | 204466 | Rod, latch, 7/16" dia., 27-5/16" long | 2 | 475- |
| 8 | K 2882 | Washer, 15/32" I.D. x 15/16" O.D. x 1/16" thick | 4 | 475- |
| 9 | 010214 | Cotter pin, 1/8" x 3/4" | 4 | 475- |
| 10 | 010513 | Washer, 25/32" I.D. x 1-1/2" O.D. x 1/16" thick | 2 | 475- |
| 11 | 010230 | Cotter pin, 3/16" x 1-1/4" | 1 | 475- |
| 12 | 204463 | Cable, 3/16" x 87" long | 1 | 475- |
| 13 | K 2952 | Cable clamp | 2 | 475- |
| 14 | 011976 | Grease fitting, 1/4" - 28 N.S.T. | 2 | 475- |
| 15 | 203050 | Sealer strip | 1 | 475- |
| | 013824 | Carriage bolt, 3/8 x 1" | 6 | 475- |
| 16 | 290043 | Spring extension, 3/4" dia., 7" long, 65 coils | 1 | 475- |
| 17 | 010130 | Machine screw (drilled), 5/16 x 1-1/2" | 1 | 475- |
| 18 | 013463 | Nut, 5/16" | 2 | 475- |
| 19 | K 2256 | Pulley, 1/4" | 2 | 475- |
| 20 | 203529 | Rope, 5/16" dia., 24' long (Polyethylene). | 1 | 475- |
| 21 | 200554 | Rope guide | 2 | 475- |
| 22 | 204464 | Pulley bracket | 1 | 475- |
| 23 | K 813 | Washer, 13/32" I.D. x 1" O.D. x 1/8" thick | 1 | 475- |
| 24 | K 3037 | Washer, 11/32" I.D. x 11/16" O.D. x 1/16" thick | 1 | 475- |
| 25 | 203181 | Rope guide | 1 | 475- |
| 26 | 010487 | Washer, 1-13/32" I.D. x 2-3/16" O.D. x 1/16" thick | 4 | 475- |
| 27 | 010232 | Cotter pin, 3/16 x 1-3/4" | 2 | 475- |

**UPPER CYLINDER (OPTIONAL)
USED WITH 217
SINGLE BEATER**



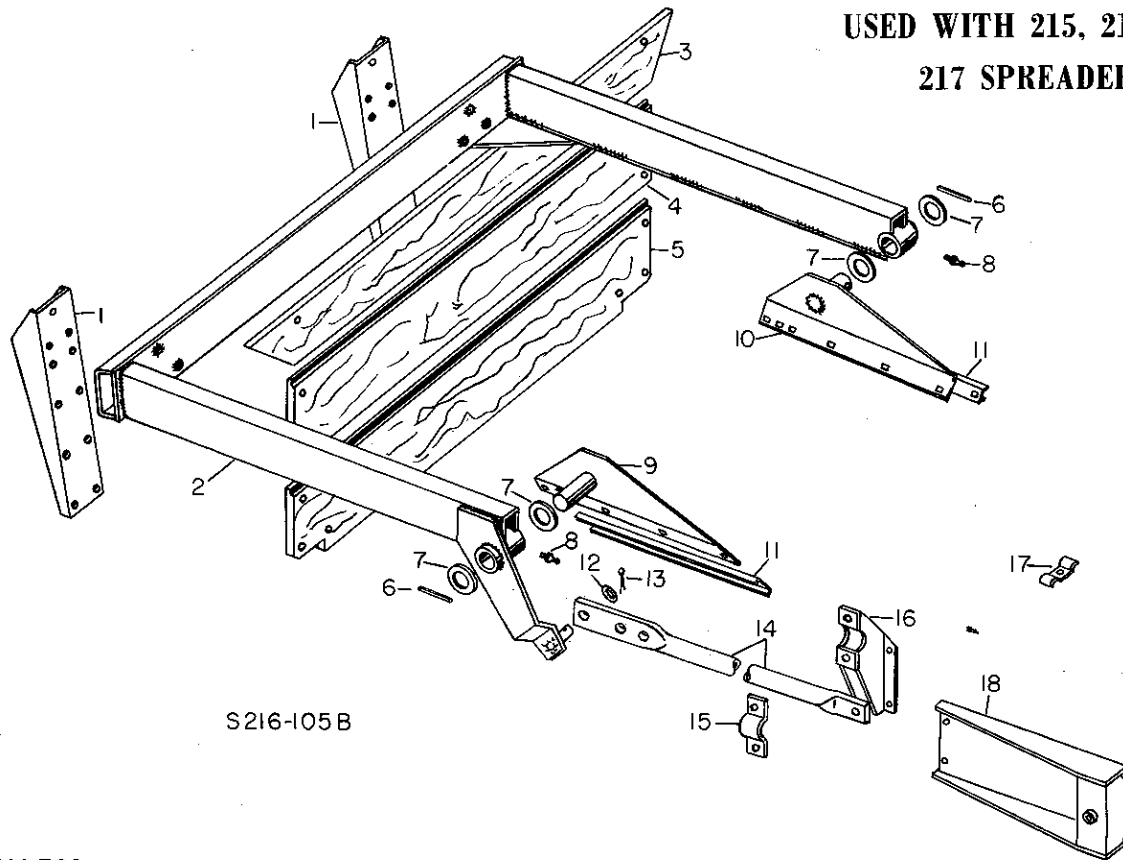
217 SINGLE BEATER LOT 480 -

L217-109 B

- 211 BOX 562 -
- 212 BOX 475 -
- 213 BOX 476 -
- 214 BOX 477 -

| Key | Part No. | Description | Used | Lot No. |
|-----|----------|--|------|---------|
| 1 | K 3427 | Roll pin, 5/16 x 2" | 1 | 475- |
| 2 | 200044 | Collar | 2 | 475- |
| 3 | 010512 | Washer, 1-5/32" I.D. x 2" O.D. x 1/16" thick | A.R. | 475- |
| 4 | 011445 | Bearing phenolic, 1-9/64" I.D. x 1-21/64" O.D. x 7/8" long | 4 | 475- |
| 5 | 202885 | Bearing assembly | 2 | 475- |
| 6 | 011962 | Grease fitting, 1/8 N.P.T. | 2 | 475- |
| 7 | 202702 | Bearing keeper | 2 | 475- |
| 8 | 204345 | Shield, front, L.H. | 1 | 475- |
| 9 | 204488 | Support assembly, L.H. | 1 | 475- |
| 10 | 202890 | Cylinder bar assembly | 1 | 475- |
| 11 | 202891 | Cylinder bar assembly | 2 | 475- |
| 12 | 202892 | Cylinder bar assembly | 1 | 475- |
| 13 | K 4416 | Machine bolt, 3/8 x 1-1/2", (Grade 5) | 12 | 475- |
| 14 | 010163 | Locknut, 3/8" | 12 | 475- |
| 15 | 204469 | Cylinder heads | 3 | 475- |
| 16 | 011273 | Key #21 woodruff, 1/4 x 1-1/4" | 3 | 475- |
| 17 | K 1161 | Set screw, 3/8 x 1" | 3 | 475- |
| 18 | K 2884 | Jam nut, 3/8" | 3 | 475- |
| 19 | 202889 | Upper cylinder shaft, 1-1/8" dia. x 65-7/16" long, splined | 1 | 475- |
| 20 | 79 SR | Stop for drive shaft bearing | 2 | 475- |
| 21 | K 1169 | Set screw, 3/8 x 1/2" | 2 | 475- |
| 22 | 012839 | Washer, phenolic, 1-5/32" I.D. x 2" O.D. x 3/32" thick | 2 | 475- |
| 23 | 0312 SR | Cylinder tooth | 26 | 475- |
| 24 | 0722 SR | Cylinder tooth, L.H. | 1 | 475- |
| 25 | 0723 SR | Cylinder tooth, R.H. | 1 | 475- |
| 26 | 204344 | Support cylinder, R.H. | 1 | 475- |
| 27 | 204346 | Shield, front, R.H. | 1 | 475- |
| 28 | 204347 | Shield | 1 | 475- |
| 29 | 202888 | 15 tooth sprocket for #2060 chain | 1 | 475- |
| 30 | 013154 | Rivet, drilled, 5/16 x 2-1/4" | 1 | 475- |
| 31 | 010214 | Cotter pin, 1/8 x 3/4" | 1 | 475- |
| 32 | 010503 | Washer, 17/32" I.D. x 1-3/8" O.D. x 1/8" thick | 1 | 475- |
| 33 | 711794 | Tightener bracket | 1 | 475- |
| 34 | 300041 | Chain slide | 1 | 475- |
| 35 | 204548 | Drive chain assembly for upper cylinder #2060 chain, 1-1/2 pitch consisting of 43 total pitches (For repair of chain, see page 63) | | 475- |
| 36 | 203457 | 9 tooth sprocket for #2060 chain (splined) | 1 | 475- |
| | 760120 | 12 tooth sprocket (speed up) | | 475- |
| 37 | K 3801 | Lamp bracket | 1 | 475- |

HYDRAULIC ENDGATE (OPTIONAL) USED WITH 215, 216 AND 217 SPREADERS



211 BOX 562 -
212 BOX 475 -
213 BOX 476 -
214 BOX 477 -

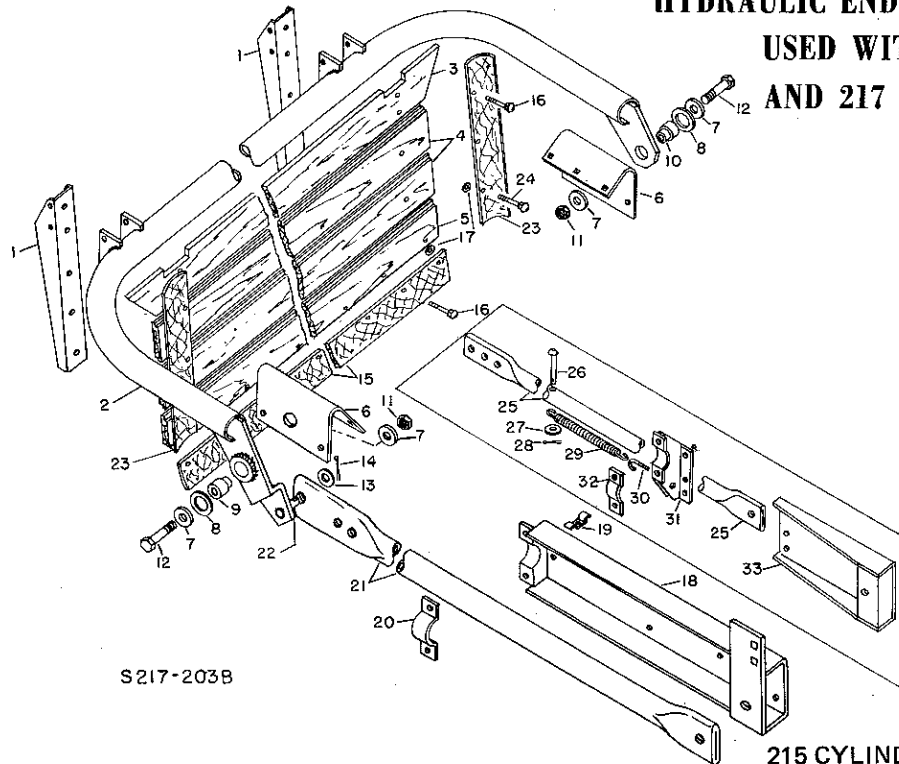
215 CYLINDER/PADDLE LOT 478 -
216 FLAIL LOT 479 -
217 SINGLE BEATER LOT 480 -

| Key | Part No. | Description | Used | Lot No. |
|-----|----------|---|------|---------|
| 1 | 203110 | Support channel | 2 | 475- |
| 2 | 203084 | Endgate lift assembly | 1 | 475- |
| | 013619 | Machine bolt, 1/2 x 2-3/4" | 6 | 475- |
| 3 | 203111 | Top board, 25/32 x 7-3/16 x 59-1/4" long | 1 | 475- |
| | 013825 | Carriage bolt, 3/8 x 1-1/4" | 2 | 475- |
| 4 | 203112 | Center board, 25/32 x 7-5/8 x 52-1/2" long | 1 | 475- |
| | 013825 | Carriage bolt, 3/8 x 1-1/4" | 2 | 475- |
| 5 | 203113 | Bottom board, 25/32 x 7-5/8 x 52-1/2" long | 1 | 475- |
| | 013825 | Carriage bolt, 3/8 x 1-1/4" | 6 | 475- |
| 6 | 010232 | Cotter pin, 3/16" x 1-3/4" | 2 | 475- |
| | K 3170 | Roll pin, 5/16" x 2-1/4" | 2 | 475- |
| 7 | 010487 | Washer, 1-13/32" I.D., x 2-3/16" O.D., x 1/16" thick | 4 | 475- |
| 8 | 011962 | Grease fitting, 1/8 N.P.T. | 2 | 475- |
| 9 | 203096 | Pivot plate assembly, R.H. | 1 | 475- |
| | 013825 | Carriage bolt, 3/8 x 1-1/4" | 3 | 475- |
| 10 | 203097 | Pivot plate assembly, L.H. | 1 | 475- |
| | 013825 | Carriage bolt, 3/8 x 1-1/4" | 3 | 475- |
| 11 | 203115 | Channel, 3/4 x 1-1/2 x 20-1/2" | 2 | 475- |
| 12 | 010504 | Washer, 1-1/32" I.D., x 1-5/8" O.D., x 1/16" thick | 1 | 475- |
| 13 | 010231 | Cotter pin, 3/16 x 1-1/2" | 1 | 475- |
| 14 | 203177 | Push rod, 1-1/2" std. blk. pipe, 44-1/4" long (212 Box) | 1 | 475- |
| | 203178 | Push rod, 1-1/2" std. blk. pipe, 68-1/4" long (213 Box) | 1 | 475- |
| | 203179 | Push rod, 1-1/2" std. blk. pipe, 92-1/4" long (214 Box) | 1 | 475- |
| 15 | 203173 | Push rod support | 1 | 475- |
| | 013583 | Machine bolt, 3/8 x 1" | 2 | 475- |
| 16 | 203174 | Support assembly | 1 | 475- |
| | 013827 | Carriage bolt, 3/8 x 1-3/4" | 2 | 475- |
| 17 | 0722 HS | Hose clip for hose support | 1 | 475- |
| | 013589 | Machine bolt, 3/8 x 1-3/4" | 1 | 475- |
| 18 | 203105 | Cylinder support assembly | 1 | 475- |

HYDRAULIC ENDGATE (OPTIONAL)

USED WITH 215, 216

AND 217 SPREADERS



S217-203B

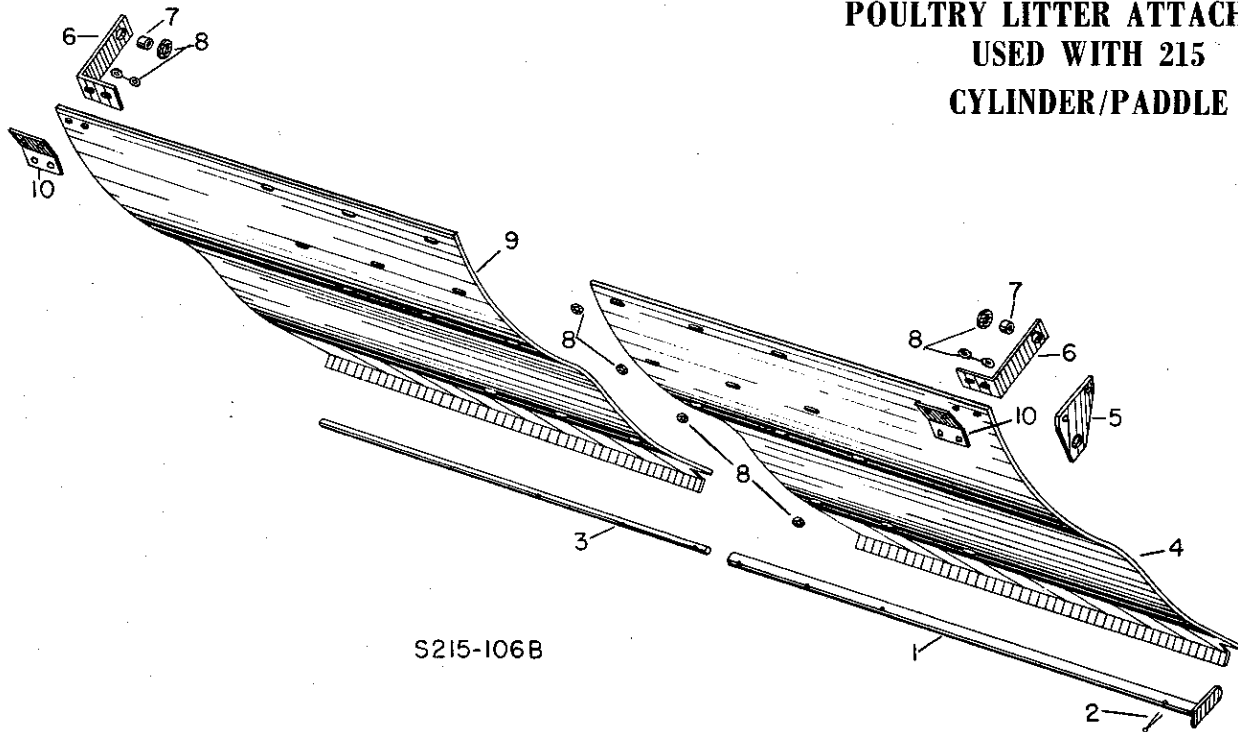
211 BOX 562-
212 BOX 475-
213 BOX 476-
214 BOX 477-

215 CYLINDER/PADDLE LOT 478-
216 FLAIL LOT 479-
217 SINGLE BEATER LOT 480-

| Key | Part No. | Description. | Used | Lot No. |
|-----|----------|---|------|---------|
| 1 | 203262 | Support channel (order 204496) | 2 | 475- |
| | 204496 | Support channel | 2 | 475- |
| | 013825 | Carriage bolt, 3/8 x 1-1/4" | 8 | 475- |
| 2 | 203250 | Endgate lift assembly | 1 | 475- |
| | 203684 | Endgate lift assembly | 1 | 475- |
| | 013625 | Machine bolt, 1/2 x 4-1/4" | 4 | 475- |
| 3 | 203264 | Top board | 1 | 475- |
| 4 | 203265 | Center board | 2 | 475- |
| 5 | 203266 | Bottom board (order (1) 203884 & (1) 203882) | 1 | 475- |
| | 203884 | Bottom board | 1 | 475- |
| 6 | 203257 | Pivot support (with 41/64" dia. hole) | 2 | 475- |
| | 203708 | Pivot support (with 1-1/8" dia. hole) | 2 | 475- |
| | 013613 | Machine bolt, 1/2 x 1-1/4" | 4 | 475- |
| | 013824 | Carriage bolt, 3/8 x 1" | 6 | 475- |
| 7 | K 2562 | Washer, 21/32" I.D. x 2" O.D. x 3/16" (hardened) | 4 | 475- |
| 8 | K 4964 | Washer, 1-17/32" I.D. x 2-1/4" O.D. x 1/16" thick | 2 | 475- |
| 9 | 203533 | Spacer, 21/32" I.D. x 1-1/2" O.D. x 3/16" | 1 | 475- |
| | 203707 | Spacer, 21/32" I.D. x 1-1/2" O.D. x 27/32" (shouldered) | 1 | 475- |
| 10 | 203534 | Spacer, 21/32" I.D. x 1-1/2" O.D. x 5/8" | 1 | 475- |
| | 203706 | Spacer, 21/32" I.D. x 1-1/2" O.D. x 13/32" (shouldered) | 1 | 475- |
| 11 | 010032 | Locknut, 5/8" | 2 | 475- |
| 12 | 011032 | Machine bolt, 5/8 x 2-1/2", Grade 5 | 2 | 475- |
| 13 | 010513 | Washer, 25/32" I.D. x 1-1/2" O.D. x 1/16" thick | 2 | 475- |
| 14 | 010231 | Cotter pin, 3/16" x 1-1/2" | 1 | 475- |
| 15 | 203882 | Seal, 52-7/8" long | 1 | 475- |
| 16 | K 4104 | Step bolt, 3/8 x 1-1/2" | 7 | 475- |
| 17 | K 5031 | Washer, 13/32" I.D. x 1-3/8" O.D. x 1/8" thick | 5 | 475- |
| 18 | 203624 | Bracket assembly | 1 | 475- |
| | 013824 | Carriage bolt, 3/8 x 1" | 2 | 475- |
| | 013589 | Machine bolt, 3/8 x 1-3/4" | 1 | 475- |
| | 013827 | Carriage bolt, 3/8 x 1-3/4" | 4 | 475- |
| | 013583 | Machine bolt, 3/8 x 1" | 2 | 475- |
| 19 | 0722 HS | Hose clip for hose support | 1 | 475- |
| | 013589 | Machine bolt, 3/8 x 1-3/4" | 1 | 475- |
| 20 | 203627 | Slide | 1 | 475- |
| 21 | 204485 | Push rod assembly, No. 211, 28-3/4" long | 1 | 475- |
| | 203666 | Push rod assembly, No. 212, 52-3/4" long | 1 | 475- |
| | 203667 | Push rod assembly, No. 213, 76-3/4" long | 1 | 475- |
| | 203668 | Push rod assembly, No. 214, 100-3/4" long | 1 | 475- |

HYDRAULIC ENDGATE (OPTIONAL) (Con't.)

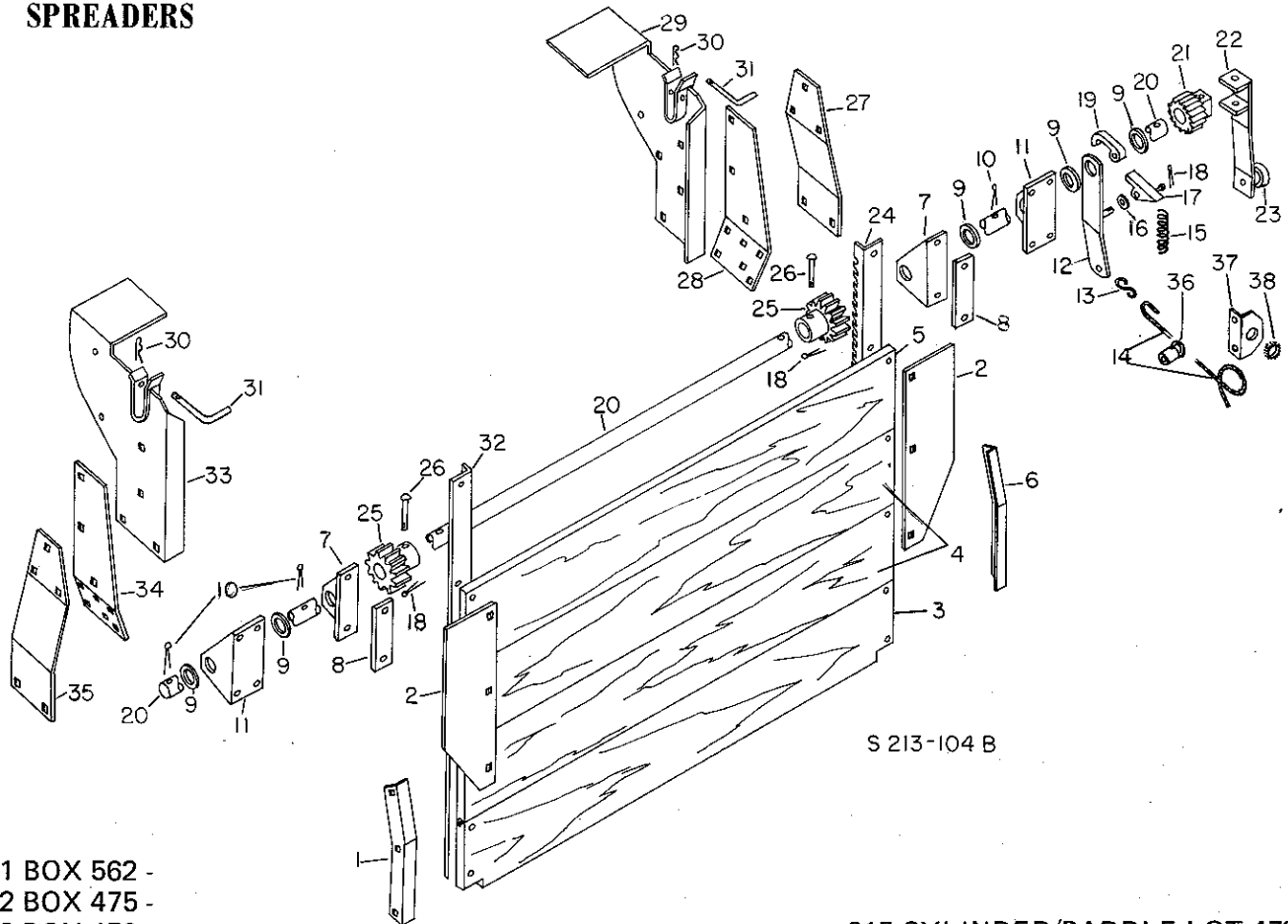
| Key | Part No. | Description | Used | Lot No. |
|-----|----------|---|------|---------|
| 22 | 203683 | Pin, 3/4" dia., 2-15/16" long | 1 | 475- |
| 23 | 204369 | Seal, "Optional" | 2 | 475- |
| 24 | 011794 | Step bolt, 3/8 x 1-3/4" | 2 | 475- |
| 25 | 203267 | Push rod assembly, 52-1/4" long (212 Box) | 1 | 475- |
| | 203268 | Push rod assembly, 76-1/4" long (213 Box) | 1 | 475- |
| | 203269 | Push rod assembly, 100-1/4" long (214 Box) | 1 | 475- |
| 26 | 013193 | Rivet, drilled 1/2" x 2-3/4" | 1 | 475- |
| 27 | 010491 | Washer, 17/32" I.D. x 1" O.D. x 1/16" thick | 1 | 475- |
| 28 | 010229 | Cotter pin, 3/16" x 1" | 1 | 475- |
| 29 | 0272HS | Spring | 1 | 475- |
| 30 | 203525 | "J" bolt | 1 | 475- |
| 31 | 203259 | Support assembly | 1 | 475- |
| | 013327 | Carriage bolt, 3/8" x 1-3/4" | 2 | 475- |
| | 013583 | Machine bolt, 3/8" x 1" | 2 | 475- |
| 32 | 203173 | Push rod support | 1 | 475- |
| | 013583 | Machine bolt, 3/8" x 1" | 2 | 475- |
| 33 | 203105 | Cylinder support assembly | 1 | 475- |
| | 013827 | Carriage bolt, 3/8" x 1-3/4" | 4 | 475- |
| | 013589 | Machine bolt, 3/8" x 1-3/4" | 1 | 475- |

POULTRY LITTER ATTACHMENT
USED WITH 215
CYLINDER/PADDLE

S215-106B

| Key | Part No. | Description | Used | Lot No. |
|-----|----------|---|------|---------|
| 1 | 201682 | Hanger pipe assembly | 1 | 478- |
| 2 | 010232 | Cotter pin, 3/16 x 1-3/4" | 1 | 478- |
| 3 | 201685 | Hanger rod | 1 | 478- |
| 4 | 201688 | Pan R.H. 26-3/4" long | 1 | 478- |
| | 013997 | Machine screw 3/8 x 3/4" | 2 | |
| | 013999 | Machine screw 3/8 x 1" | 2 | |
| 5 | 203309 | Bracket | 1 | 478- |
| | 013583 | Machine bolt 3/8 x 1" | 2 | |
| 6 | 201686 | Clip, 3-1/4 x 4-3/4 x 3/16" | 2 | 478- |
| | 013583 | Machine bolt, 3/8 x 1-1/4" | 2 | |
| 7 | K 3620 | Spacer, 25/64 I.D. x 1/2" O.D. x 1/4" thick | 2 | 478- |
| | 013586 | Machine bolt, 3/8 x 1-1/4" | 2 | |
| 8 | K 3004 | Washer, 13/32" I.D. x 13/16" O.D. x 1/16" thick | 14 | 478- |
| 9 | 201687 | Pan L.H. 26-3/4" long | 1 | 478- |
| | 013997 | Machine screw 3/8 x 3/4" | 4 | |
| | 013999 | Machine screw 3/8 x 1" | 2 | |
| 10 | 203312 | Pan bracket | 2 | 478- |
| | 013662 | Machine bolt, 3/4 x 1" | 2 | |

**MECHANICAL END GATE
USED WITH 215 AND 216
SPREADERS**



- 211 BOX 562 -
- 212 BOX 475 -
- 213 BOX 476 -
- 214 BOX 477 -

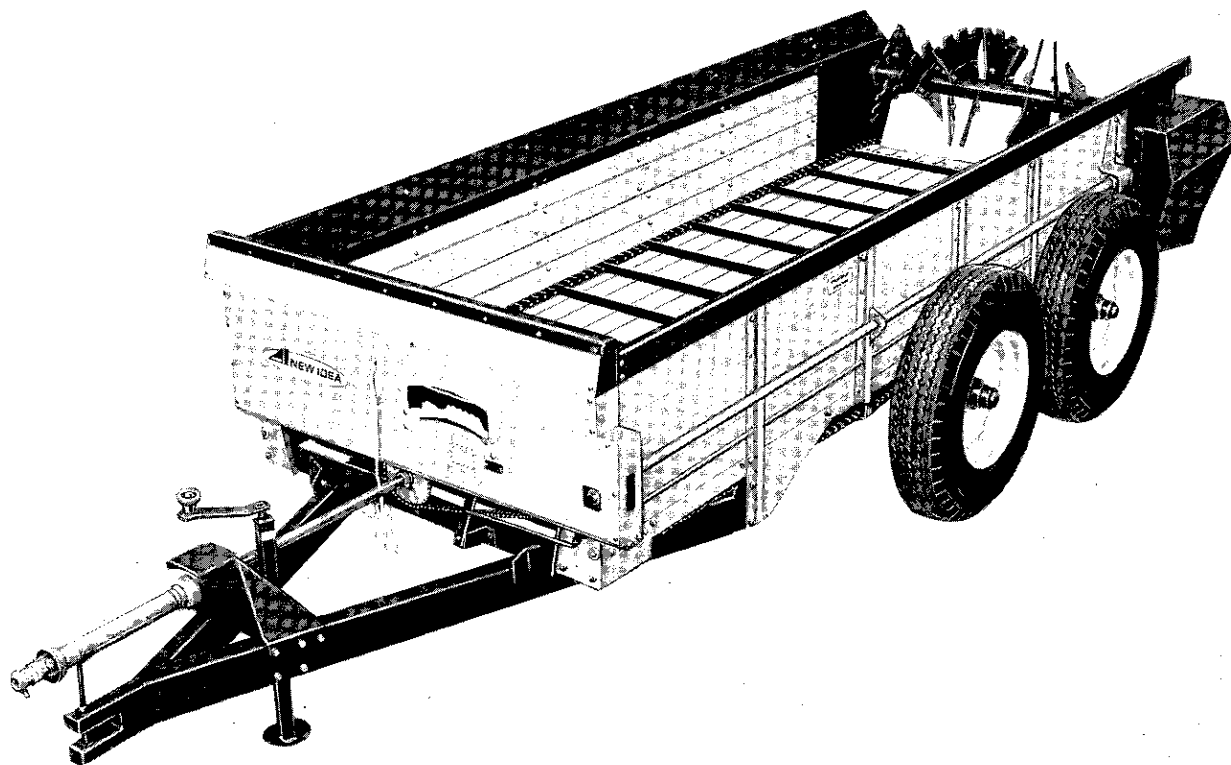
- 215 CYLINDER/PADDLE LOT 478 -
- 216 FLAIL LOT 479 -

| Key | Part No. | Description | Used | Lot No. |
|-----|----------|--|------|---------|
| 1 | 203071 | Slide, R.H. | 1 | 475- |
| | 013931 | Carriage bolt, 3/8 x 1" | 3 | 475- |
| 2 | 203069 | Filler plate | 2 | 475- |
| | 013827 | Carriage bolt, 3/8 x 1-3/4" | 6 | 475- |
| 3 | 203068 | Bottom board | 1 | 475- |
| | 013826 | Carriage bolt, 3/8 x 1-1/2" | 4 | 475- |
| 4 | 203067 | Center board | 2 | 475- |
| 5 | 203066 | Top board | 1 | 475- |
| 6 | 203070 | Slide, L.H. | 1 | 475- |
| | 013931 | Carriage bolt, 3/8 x 1" | 3 | 475- |
| 7 | 200546 | Rear holdback - endgate | 2 | 475- |
| 8 | 200547 | Spacer, 5/16 x 1-1/4 x 6" | 2 | 475- |
| 9 | K 864 | Washer, 1-1/32" I.D., x 1-5/8" O.D., x 1/16" | 12 | 475- |
| 10 | 010231 | Cotter Pin, 3/16 x 1-1/2" | 3 | 475- |
| 11 | 202486 | Front holdback - endgate | 2 | 475- |
| | 013614 | Bolt, machine, 1/2 x 1-1/2" | 4 | 475- |

MECHANICAL END GATE (Con't.)

| Key | Part No. | Description | Used | Lot No. |
|-----|----------|--|------|---------|
| 12 | 202512 | Ratchet arm assembly | 1 | 475- |
| 13 | T 760 | Rope hook | 1 | 475- |
| 14 | 202509 | Rope | 1 | 475- |
| 15 | 010544 | Extension spring, 5/8" O.D., 55 coils, 5-3/4" long | 1 | 475- |
| 16 | K 1852 | Washer, 17/32" I.D., x 1" O.D., x 1/16" | 1 | 475- |
| 17 | 203128 | Lift dog assembly with rivet | 1 | 475- |
| 18 | 010214 | Cotter pin, 1/8 x 3/4" | 3 | 475- |
| 19 | 200545 | Ratchet dog | 1 | 475- |
| 20 | 203072 | Raising shaft, 1" O.D. x 64-1/4" long | 1 | 475- |
| 21 | 203073 | 18 tooth ratchet, 1" bore | 1 | 475- |
| 22 | 200536 | Crank arm assembly | 1 | 475- |
| | 013593 | Bolt, machine, 3/8 x 2-3/4" | 1 | 475- |
| 23 | 122 ME-1 | Knob | 1 | 475- |
| | 013044 | Rivet, button hd., 5/8 x 2" | 1 | 475- |
| 24 | 200527 | Rack - endgate, L.H. | 1 | 475- |
| 25 | 200552 | 10 tooth spur gear, 1" bore | 1 | 475- |
| 26 | 013166 | Rivet, drilled, 3/8 x 2-1/4" | 2 | 475- |
| 27 | 203080 | Side support, L.H. (order 203239) | 1 | 475- |
| | 203239 | Side support, L.H. | 1 | 475- |
| 28 | 203078 | Support plate - lower, L.H. | 1 | 475- |
| | 013825 | Carriage bolt, 3/8 x 1-1/4" | 4 | 475- |
| 29 | 203074 | Support plate assembly, L.H. | 1 | 475- |
| 30 | 2628 P | Pin clip | 2 | 475- |
| 31 | 201428 | Hold down pin, 3/8" rd. | 2 | 475- |
| 32 | 200526 | Rack - endgate, R.H. | 1 | 475- |
| 33 | 203075 | Support plate assembly, R.H. | 1 | 475- |
| 34 | 203079 | Support plate - lower R.H. | 1 | 475- |
| | 013825 | Carriage bolt, 3/8 x 1-1/4" | 4 | 475- |
| 35 | 203081 | Side support, R.H. (order 203240) | 1 | 475- |
| | 203240 | Side support, R.H. | 1 | 475- |
| 36 | 200554 | Rope guide | 5 | 475- |
| 37 | 203311 | Rope guide | 1 | 475- |
| 38 | 760957 | Rope guide insert | 1 | 475- |

No. 218 SPREADER



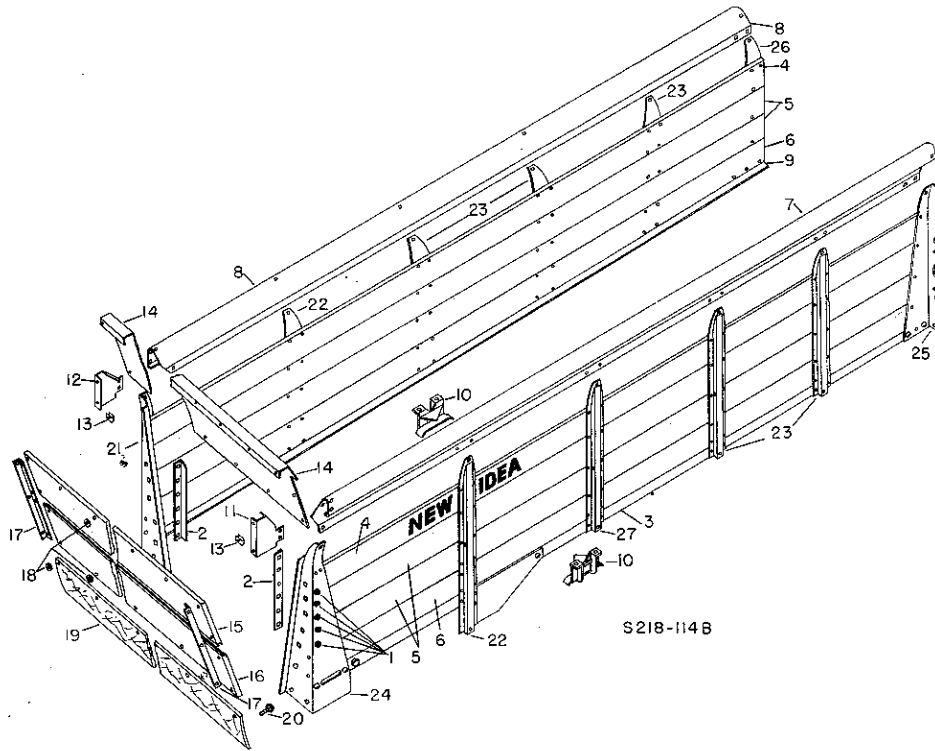
No. 218 SPREADER

YEAR BUILT 1971 -

INDEX TO REPAIR PARTS

| SUBJECT | PAGE |
|---|-------|
| ENDGATE, SIDES AND FLARE BOARDS | 46-47 |
| HITCH AND JACK | 47 |
| P.T.O. AND DRIVE SHAFTS | 48-49 |
| BOTTOM | 49 |
| FRONT PANEL AND LEVER | 50 |
| MAIN AXLE | 51-52 |
| FEED SHAFT AND CONVEYOR | 52 |
| GEAR CASE | 53-54 |
| FRONT P.T.O. | 54 |
| CYLINDER AND SIDE SHEETS | 55 |
| FEED AND RATCHET WHEEL | 56-57 |
| UPPER CYLINDER (OPTIONAL) | 58-59 |
| PAN (OPTIONAL) | 59-60 |
| HYDRAULIC ENDGATE (OPTIONAL) | 60-61 |
| TRUCK MOUNTING (OPTIONAL) | 61-62 |
| CHAINS AND PAINTS | 63-64 |
| PACKAGE GOODS | 65-68 |
| INDEX | 69-73 |

ENDGATE, SIDES AND FLARE BOARDS



218 SPREADER

LOT 546 -

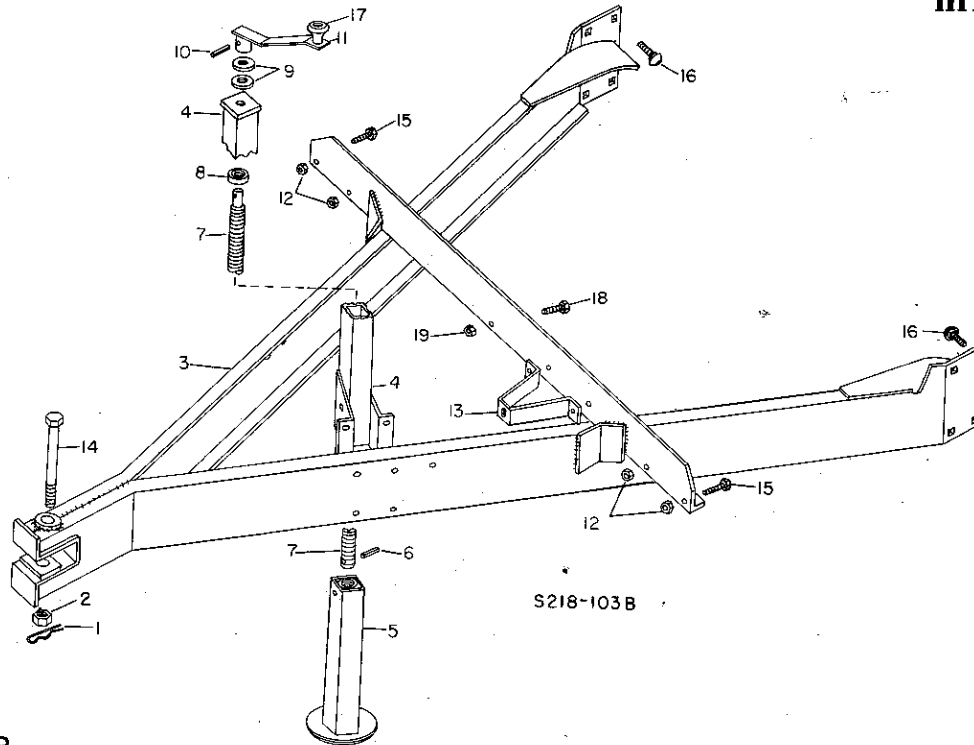
| Key | Part No. | Description | Used | Lot No. |
|-----|----------|---|------|---------|
| 1 | 010163 | Locknut, 3/8" | 16 | 546- |
| 2 | 203577 | Backup angle, 1-1/4 x 1-1/4 x 18-7/16" long | 2 | 546- |
| 3 | 203561 | Left side assembly, complete | 1 | 546-561 |
| | 203354 | Left side assembly, complete | 1 | 580- |
| 4 | 202718 | Top side board, left or right, 5-15/32" x 153-15/16" x 3/4" | | |
| | | (used with four board side assembly) | 2 | |
| | 205069 | Top side board, left or right, 7-7/32" x 153-15/16" x 3/4" | | |
| | | (used with three board side assembly) | 2 | |
| 5 | 202722 | Center side board, left or right, 5-5/16" x 153-15/16" x 3/4" | | |
| | | (used with four board side assembly) | 4 | |
| | 205073 | Center side board, left or right, 7-1/16" x 153-15/16" x 3/4" | | |
| | | (used with three board side assembly) | 2 | |
| 6 | 203258 | Bottom side board, left or right, 5-5/16" x 153-15/16" x 3/4" | | |
| | | (used with four board side assembly) | 2 | |
| | 205072 | Bottom side board, left or right, 7-1/16" x 153-15/16" x 3/4" | | |
| | | (used with three board side assembly) | 2 | |
| 7 | 203524 | Flareboard left, 156" long | 1 | 546- |
| | 013822 | Carriage bolt, 3/8 x 3/4" | 6 | |
| | 013826 | Carriage bolt, 3/8 x 1-1/2" | 10 | |
| 8 | 203523 | Flareboard right, 156" long | 1 | 546- |
| | 013822 | Carriage bolt, 3/8 x 3/4" | 6 | |
| | 013826 | Carriage bolt, 3/8 x 1-1/2" | 10 | |
| 9 | 203562 | Right side assembly, complete | 1 | 546-561 |
| | 203355 | Right side assembly, complete | 1 | 580- |
| 10 | 202180 | Conveyor chain support, front | 2 | 546- |
| 11 | 203575 | Filler front, L.H. | 1 | 546- |
| 12 | 203576 | Filler front, R.H. | 1 | 546- |
| 13 | 011452 | Speed nut, "U" type, 5/16" | 6 | 546- |
| 14 | 203547 | Top panel endgate | 1 | 546- |
| | 013826 | Carriage bolt, 3/8 x 1-1/2" | 6 | |
| 15 | 203436 | Top board, 7-19/32" x 63-3/8" x 25/32" | 1 | 546- |
| | 013825 | Carriage bolt, 3/8 x 3-1/4" | 2 | |
| 16 | 203437 | Bottom board, 7-5/16" x 63-3/8" x 25/32" | 1 | 546- |
| | 013826 | Carriage bolt, 3/8" x 1-1/4" | 2 | |
| | 203846 | Bottom angle, endgate, 1-1/2" x 2" x 62-3/4" | 1 | 546- |
| 17 | 202950 | Angle, endgate, 1-9/16" x 1-1/4" x 14-1/8" | 2 | 546- |
| 18 | K 3004 | Washer, 13/32" I.D. x 13/16" O.D. x 1/16" thick | 6 | 546- |
| 19 | 203438 | Seal, retainer strip, 5-3/4" x 63-11/16" x 1/4" thick | 1 | 546- |
| 20 | 011794 | Step bolt, 3/8 x 1-3/4" | 6 | 546- |

**NOTE:
CHECK
SIZE
OF
BOARDS
WHEN
ORDERING**

ENGATE, SIDES AND FLARE BOARDS (Con't.)

| Key | Part No. | Description | Used | Lot No. |
|-----|----------|---------------------|------|---------|
| 21 | 203564 | Front upright, R.H. | 1 | 546-561 |
| | 203357 | Front upright, R.H. | 1 | 580- |
| 22 | 203565 | Stake | 1 | 546-561 |
| | 203358 | Stake | 1 | 580- |
| 23 | 203568 | Stake | | 546- |
| 24 | 203563 | Front upright, L.H. | 1 | 546-561 |
| | 203356 | Front upright, L.H. | 1 | 580- |
| 25 | 203569 | Rear upright, L.H. | | 546- |
| 26 | 203570 | Rear upright, R.H. | | 546- |
| 27 | 203567 | Stake assembly | 1 | 546- |

HITCH AND JACK

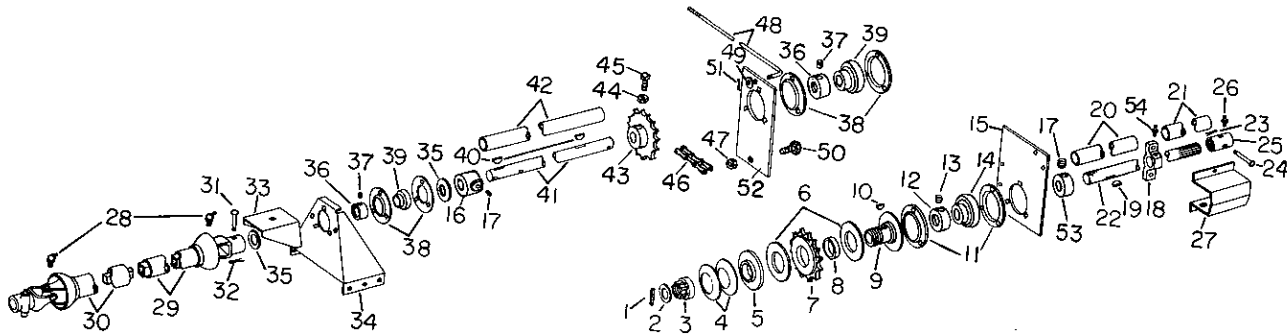


218 SPREADER

LOT 546 -

| Key | Part No. | Description | Used | Lot No. |
|-----|----------|---|------|---------|
| 1 | 2629 P | Pin Clip | 1 | 546- |
| 2 | 013479 | Nut 1" | 1 | 546- |
| 3 | 203508 | Hitch assembly | 1 | 546-561 |
| | 203350 | Hitch assembly | 1 | 580- |
| 4 | 202673 | Upper tube assembly | 1 | 546- |
| | 202669 | Jack assembly complete | 1 | 546- |
| 5 | 202677 | Jack shoe assembly | 1 | 546- |
| 6 | K 4476 | Roll pin, 5/32 x 3/4" | 1 | 546- |
| 7 | 202681 | Lift rod, 17" long | 1 | 546- |
| 8 | 011448 | Bearing thrust, 5/8" I.D. x 1-5/8" O.D. | 1 | 546- |
| 9 | K 4636 | Washer, 21/32" I.D. x 1-3/8" O.D. x 1/16" | 2 | 546- |
| 10 | K 3468 | Roll Pin, 3/16 x 7/8" | 2 | 546- |
| 11 | 202670 | Handle assembly (order 203282) | 1 | 546-554 |
| | 203282 | Handle assembly | 1 | 561- |
| 12 | 010032 | Locknut, 5/8" | 5 | 546-561 |
| | 012239 | Locknut, 3/4" | 4 | 580- |
| 13 | 202970 | Pivot support | 1 | 546- |
| 14 | 011761 | Machine bolt, 1 x 8" long | 1 | 546- |
| 15 | 011037 | Machine bolt, 5/8" x 1" (Grade 5) | 5 | 546-561 |
| | 011090 | Machine bolt, 3/4" x 1-3/4" (Grade 5) | 4 | 580- |
| 16 | K 5026 | Carriage bolt, 1/2" x 1-1/4" (Grade 5) | 8 | 546-561 |
| | 014091 | Carriage bolt, 5/8" x 1-1/4" (Grade 5) | 8 | 580- |
| 17 | 122-ME-1 | Knob | 1 | 561- |
| | 013044 | Rivet 5/8 x 2" | 1 | |
| 18 | 011037 | Machine bolt, 5/8" x 1" (Grade 5) | 1 | 546- |
| 19 | 010032 | Locknut, 5/8" | 1 | 546- |

P.T.O. AND DRIVE SHAFTS



S218-111B

218 SPREADER

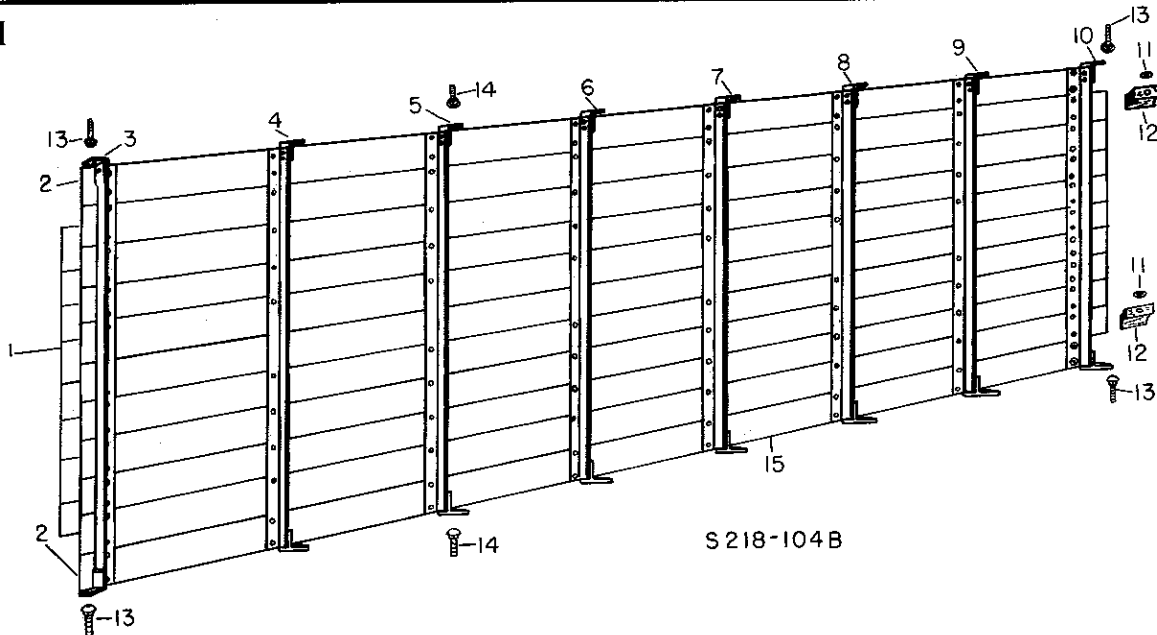
LOT 546-

| Key | Part No. | Description | Used | Lot No. |
|-----|----------|--|------|---------|
| 1 | K 3169 | Roll pin, 5/16 x 1-3/4" | 1 | 546- |
| 2 | 010512 | Washer, 1-5/32" I.D. x 2" O.D. x 1/16" | 2 | 546- |
| 3 | 17 WB-1 | Slip clutch nut | 1 | 546- |
| 4 | 0149 WB | Spring washer for slip clutch, 2-29/32" I.D. x 5-1/4" O.D. | 2 | 546- |
| 5 | 200012 | Slip clutch plate | 1 | 546- |
| 6 | K 3121 | Clutch facing, 3-1/4" I.D. x 5-3/4" O.D. x 1/8" | 2 | 546- |
| 7 | 203767 | 30 tooth sprocket assy., for No. 60 roller chain, 2-1/2" I.D. with K 3491 bushing | 1 | 546- |
| 8 | K 3491 | Bearing, bronze, 2" I.D. x 2-1/2" O.D. x 7/16" thick | 1 | 546- |
| 9 | 200013 | Slip clutch hub, keywayed, 1-1/8" I.D. | 1 | 546- |
| 10 | 011253 | Key, #9 woodruff, 3/16 x 3/4" | 1 | 546- |
| 11 | K 2578 | Bearing housing | 2 | 546- |
| | 013824 | Carriage bolt, 3/8 x 1" | 3 | 546- |
| 12 | K 3518 | Locking collar, 1-1/8" I.D. | 1 | 546- |
| 13 | K 2693 | Set screw, 5/16 x 5/16" | 1 | 546- |
| 14 | K 3501 | Bearing ball, 1-1/8" I.D. | 1 | 546- |
| 15 | 203550 | Clutch support plate | 1 | 546- |
| 16 | 202875 | Collar, 1-17/64 I.D. x 1-7/8" O.D. x 1" thick | 1 | 546- |
| 17 | K 1169 | Setscrew, 3/8 x 1/2" | 2 | 546- |
| 18 | 203064 | Main drive shaft bearing | 1 | 546- |
| | 013586 | Machine bolt, 3/8 x 1-1/4" | 2 | |
| 19 | 011276 | Key #27 woodruff, 1/4 x 2-1/8" | 1 | 546- |
| 20 | 203559 | Shield, drive shaft, 1-3/16" O.D. x 63-9/16" long | 1 | 546- |
| 21 | 203560 | Shield, drive shaft, 1-3/16" O.D. x 81-11/16" O.D. | 1 | 546- |
| 22 | 202706 | Drive shaft, 1-1/8" dia. x 153-7/8" long, splined | 1 | 546- |
| 23 | 010209 | Cotter pin, 3/32" x 1/2" | 1 | 546- |
| 24 | 013144 | Rivet, drilled, 1/4 x 2" button hd. | 1 | 546- |
| 25 | 203526 | Coupling, 1-3/4" O.D. x 4" long, splined | 1 | 546- |
| 26 | 011976 | Grease fitting, 1/4 - 28 N.S.T. | 1 | 546- |
| 27 | 202962 | Coupling shield | 1 | 546- |
| 28 | 011967 | Grease fitting, 1/8" N.P.T. 67-1/2° | 2 | 546- |
| 29 | K 4747A | Telescoping P.T.O. drive, rear half (Rockwell Standard) | 1 | 546- |
| 30 | K 4701A | Telescoping P.T.O. drive, front half (Rockwell Standard) | 1 | 546- |
| | 012850 | Sign, P.T.O. lubrication | 1 | |
| 31 | 013154 | Rivet, drilled, 5/16 x 2-1/4" | 1 | 546- |
| 32 | 010214 | Cotter pin, 1/8 x 3/4" | 1 | 546- |
| 33 | 203518 | Support cover | 1 | 546- |
| | 013929 | Carriage bolt, 3/8 x 3/4" | 2 | |
| 34 | 203517 | Bearing support | 1 | 546- |
| 35 | K 4795 | Washer, 1-9/32" I.D. x 1-7/8" O.D. x 1/16" thick | 6 | 546- |
| 36 | 010189 | Locking collar, 1-1/4" dia. bore | 2 | 546- |
| 37 | K 1153 | Setscrew, 3/8 x 3/8" | 2 | 546- |
| 38 | 012217 | Bearing housing | 4 | 546- |
| | 013824 | Carriage bolt, 3/8 x 1" | 3 | |
| 39 | 010033 | Ball bearing, 1-1/4" I.D. x 2-27/32" O.D. x 3/4" thick | 2 | 546- |
| 40 | 011273 | Key #21 woodruff, 1/4 x 1-1/4" | 2 | 546- |
| 41 | 203519 | Power shaft, front, 1-1/4" O.D. x 38-9/16" long | 1 | 546- |
| 42 | 203520 | Shield tube, P.T.O. 1-5/16" O.D. x 29-1/2" long | 1 | 546- |
| 43 | 203256 | 35 tooth sprocket, 1-1/4" I.D. for No. 60 chain (540 R.P.M.) | 1 | 546- |
| | 203341 | 19 tooth sprocket, 1-1/4" I.D. for No. 60 chain (1000 R.P.M.) | 1 | 546- |
| 44 | K 579 | Jam nut, 1/2" | 1 | 546- |
| 45 | 010629 | Setscrew, 1/2" x 1-1/4" | 1 | 546- |

P.T.O. AND DRIVE SHAFTS (Con't.)

| Key | Part No. | Description | Used | Lot No. |
|-----|----------|--|------|---------|
| 46 | 203785 | Front drive chain, No. 60 roller chain 3/4" pitch consisting of 129 total pitches (For repair of chain, see page 63) | | 546- |
| 47 | 010032 | Locknut, 5/8" | 1 | 546- |
| 48 | 203851 | Adjustment rod, 1/2" O.D. x 35" long | 1 | 546- |
| | 013469 | Nut, 1/2" | 2 | |
| 49 | 010491 | Washer, 17/32" I.D. x 1" O.D. x 1/16" thick | 2 | 546- |
| 50 | 011037 | Machine bolt, 5/8 x 1" - Grade 5 | 1 | 546- |
| 51 | 010229 | Cotter pin, 3/16 x 1" | 1 | 546- |
| 52 | 203552 | Bearing support | 1 | 546- |
| 53 | 203527 | Shaft stop | 1 | 546- |
| 54 | 011962 | Grease fitting 1/8 N.P.T. | 1 | 546- |

BOTTOM



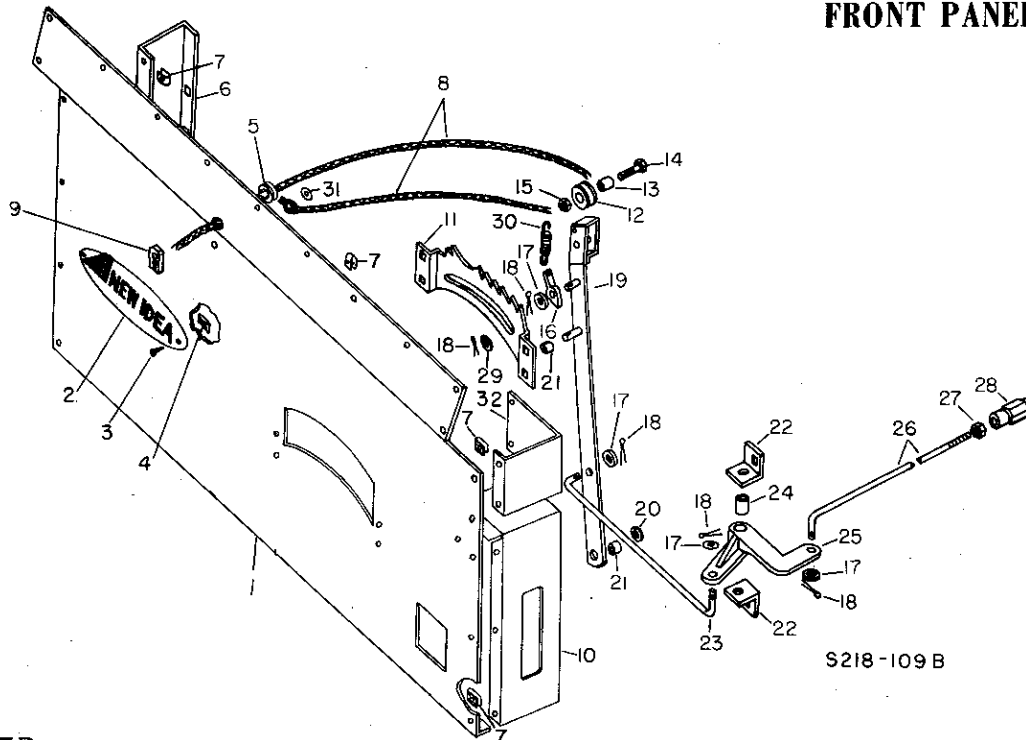
218 SPREADER

LOT 546 -

| Key | Part No. | Description | Used | Lot No. |
|-----|----------|---|------|--|
| 1 | 203057 | Center Boards, 5-15/32" x 163" long | 10 | NOTE: CHECK SIZE OF BOARDS WHEN ORDERING. |
| | 205193 | Center Boards, 7-7/32" x 163" long | 8 | |
| 2 | 203804 | Outer Bottom Boards, Tapered, 5-3/4" to 5" x 163" long (used with 5-19/32" width boards) (general book only) | 2 | |
| | 204591 | Outer Bottom Boards, Tapered, 6-3/8" to 5-5/8" x 163" long (used with 5-15/32" width boards) | 2 | |
| | 205138 | Outer Bottom Boards, Tapered, 4-15/32" to 3-23/32" x 163" long (used with 7-7/32" width boards) | 2 | |
| 3 | 203788 | Front Bottom Cross Angle, 1-1/2" x 2-1/2" x 64-3/8" long (used with 5-15/32" width boards) | 1 | |
| | 205139 | Front Bottom Cross Angle, 1-1/2" x 2-1/2" x 64-3/8" long (used with 7-7/32" width boards) | 1 | |
| 4 | 203790 | Second Bottom Cross Angle, 1-1/2" x 2-1/2" x 64-5/8" long (used with 5-15/32" width boards) | 1 | |
| | 205140 | Second Bottom Cross Angle, 1-1/2" x 2-1/2" x 64-5/8" long (used with 7-7/32" width boards) | 1 | |
| 5 | 203791 | Third Bottom Cross Angle, 1-1/2" x 2-1/2" x 64-27/32" long (used with 5-15/32" width boards) | 1 | |
| | 205141 | Third Bottom Cross Angle, 1-1/2" x 2-1/2" x 64-27/32" long (used with 7-7/32" width boards) | 1 | |
| 6 | 203792 | Fourth Bottom Cross Angle, 1-1/2" x 2-1/2" x 65-1/16" long (used with 5-15/32" width boards) | 1 | |
| | 205142 | Fourth Bottom Cross Angle, 1-1/2" x 2-1/2" x 65-1/16" long (used with 7-7/32" width boards) | 1 | |
| 7 | 203793 | Fifth Bottom Cross Angle, 1-1/2" x 2-1/2" x 65-5/16" long (used with 5-15/32" width boards) | 1 | |
| | 205143 | Fifth Bottom Cross Angle, 1-1/2" x 2-1/2" x 65-5/16" long (used with 7-7/32" width boards) | 1 | |
| 8 | 203794 | Sixth Bottom Cross Angle, 1-1/2" x 2-1/2" x 65-9/16" long (used with 5-15/32" width boards) | 1 | |

| Key | Part No. | Description | Used | Lot No. |
|-----|----------|---|------|---------|
| | 205144 | Sixth Bottom Cross Angle, 1-1/2" x 2-1/2" x 65-9/16" long (used with 7-7/32" width boards) | 1 | |
| 9 | 203795 | Seventh Bottom Cross Angle, 1-1/2" x 2-1/2" x 65-27/32" long (used with 5-15/32" width boards) | 1 | |
| | 205145 | Seventh Bottom Cross Angle, 1-1/2" x 2-1/2" x 65-27/32" long (used with 7-7/32" width boards) | 1 | |
| 10 | 203802 | Rear Cross Angle, 1-1/2" x 2-1/2" x 65" long (used with 5-15/32" width boards) | 1 | |
| | 205146 | Rear Cross Angle, 1-1/2" x 2-1/2" x 65" long (used with 7-7/32" width boards) | 1 | |
| 11 | K 2880 | Washer, 7/16" I.D. x 1" O.D. x 1/16" | 2 | 546- |
| 12 | 203847 | Feed shaft support | 2 | 546- |
| | 013831 | Carriage bolt, 3/8 x 2-3/4" | 2 | |
| 13 | K 3197 | Carriage bolt, 1/2 x 1-1/2" | 4 | 546- |
| 14 | K 2941 | Carriage bolt, 1/2 x 1-1/4" | 12 | 546- |
| 15 | 203787 | Bottom assembly complete | 1 | 546- |
| | 011581 | Carriage bolt, 5/16 x 1-3/8" | A.R. | |

FRONT PANEL AND LEVER



218 SPREADER

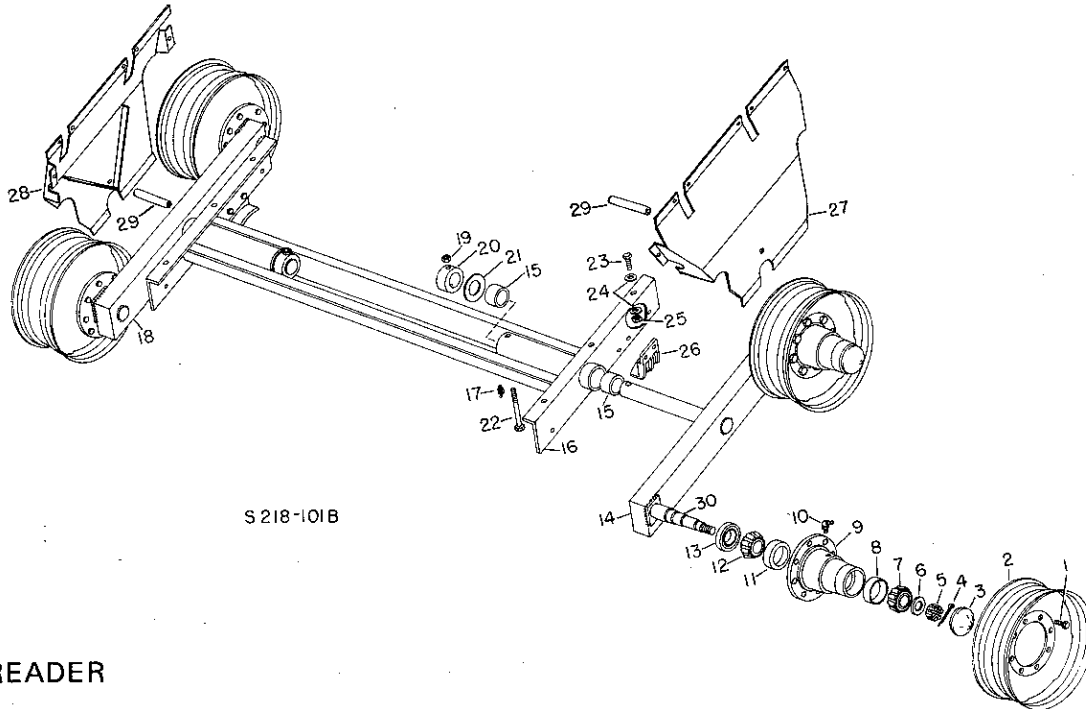
LOT 546 -

| Key | Part No. | Description | Used | Lot No. |
|-----|----------|---|------|---------|
| 1 | 203503 | Front Panel | 1 | 546- |
| | 013562 | Machine bolt, 5/16 x 5/8" | 24 | |
| | K 1271 | Safety sign | 1 | 546- |
| 2 | 011512 | Medallion (Avco New Idea) | 1 | 546- |
| 3 | 010617 | Tapping screw, #10 x 1/2" | 2 | 546- |
| 4 | K 5025 | Speed nut, flat type | 2 | 546- |
| 5 | 011451 | Rope guide (Polypropylene) | 1 | 546- |
| 6 | 203439 | Shield wrapper | 1 | 546- |
| | 013929 | Carriage bolt, 3/8 x 3/4" | 8 | |
| 7 | K 5020 | Speed nut, 5/16" "U" type | 19 | 546- |
| 8 | 202963 | Rope, 5/16" dia. - 12 ft. long | 1 | 546- |
| 9 | 203181 | Rope clamp (tire carcass) | 1 | 546- |
| 10 | 202954 | Shield wrapper - front | 1 | 546- |
| 11 | 202969 | Feed selector | 1 | 546- |
| 12 | 125 ME | Cable roller | 1 | 546- |
| 13 | K 1652 | Bushing, 9/16" O.D. x 13/32" I.D. x 9/16" long | 1 | 546- |
| 14 | 2001 P | Machine bolt, 3/8 x 1-1/2" drilled | 1 | 546- |
| 15 | 010163 | Locknut, 3/8" | 1 | 546- |
| 16 | 202975 | Pawl | 1 | 546- |
| 17 | K 2882 | Washer, 15/32" I.D. x 15/16" O.D. x 1/16" thick | 4 | 546- |
| 18 | 010214 | Cotter pin, 1/8 x 3/4" | 5 | 546- |

AVCO NEW IDEA

| Key | Part No. | Description | Used | Lot No. |
|-----|----------|---|------|---------|
| 19 | 203168 | Feed lever assembly | 1 | 546- |
| 20 | K 813 | Washer, 13/32" I.D. x 1" O.D. x 1/8" thick | 1 | 546- |
| 21 | 203238 | Bushing, 9/16" O.D. x 1/4" thick | 2 | 546- |
| 22 | 202974 | Angle bracket | 2 | 546- |
| | 013929 | Carriage bolt, 3/8 x 3/4" | 2 | |
| 23 | 203521 | Feed lever rod, 7/16" I.D. x 19-7/16" long | 1 | 546- |
| 24 | 201798 | Spacer, 13/32" I.D. x 5/8" O.D. x 1-3/32" long | 1 | 546- |
| 25 | 202971 | Pivot arm | 1 | 546- |
| 26 | 202746 | Feed rod, 7/16" dia. x 150" long | 1 | 546- |
| 27 | K 2245 | Jam nut, 7/16" | 1 | 546- |
| 28 | 202747 | Coupler | 1 | 546- |
| 29 | K 2913 | Washer, 13/32" I.D. x 1-3/8" O.D. x 1/16" thick | 1 | 546- |
| 30 | K 4063 | Extension spring, 5/8" O.D. x 2-1/4" long, 21 coils | 1 | 546- |
| 31 | K 5031 | Washer, 13/32" I.D. x 1-3/8" O.D. x 1/8" thick | 1 | 546- |
| 32 | 203432 | Filler shield | 1 | 546- |

MAIN AXLE



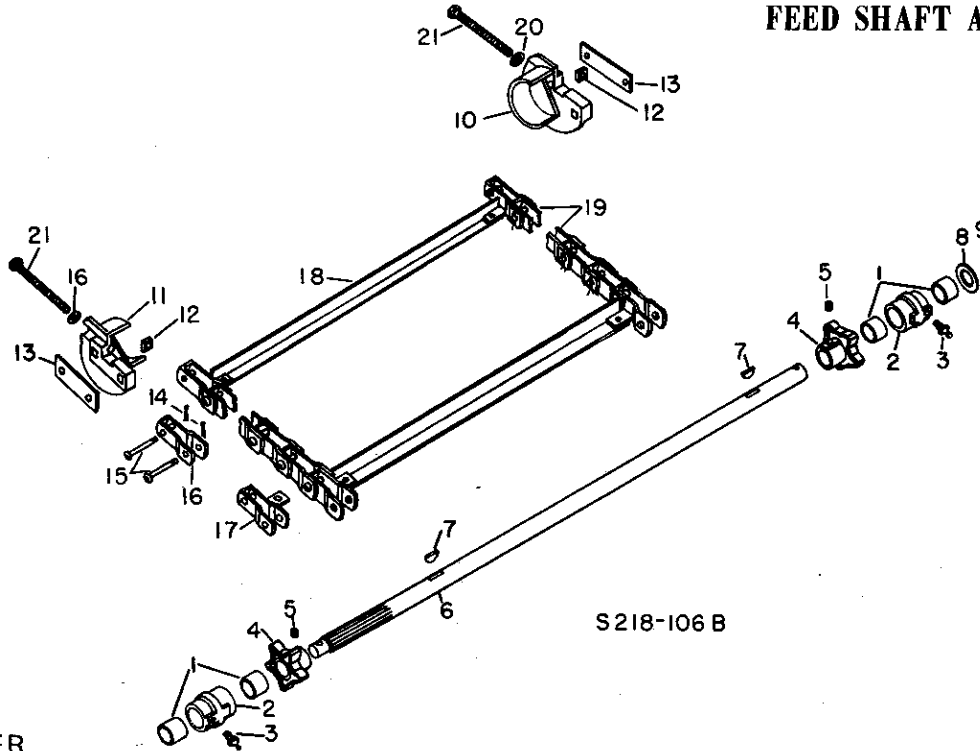
218 SPREADER

LOT 546

| Key | Part No. | Description | Used | Lot No. |
|-----|----------|--|------|---------|
| 1 | 1078 S | Hub bolts, 9/16" x 1-1/2" long | 32 | 546- |
| 2 | 011670 | Wheel, 20 x 8 - 1-1/2" offset | 4 | 546- |
| | 011576 | Wheel assembly, 20 x 7.5 with side ring 011578 | 4 | 546- |
| | 011578 | Side ring | 4 | 546- |
| 3 | 700431 | Hub cap | 4 | 546- |
| 4 | 010231 | Cotter pin, 3/16 x 1-1/2" | 4 | 546- |
| 5 | 010179 | Nut, 1-1/4", slotted | 4 | 546- |
| 6 | 010178 | Washer, 1-1/32" I.D. x 2" O.D. x 1/4" thick | 4 | 546- |
| 7 | K 3359 | Bearing cone, 1-3/8" I.D. x 23/32" thick | 4 | 546- |
| 8 | K 3358 | Bearing cup, 2-5/8" O.D. | 4 | 546- |
| 9 | 201567 | Hub, with bearing cups | 4 | 546- |
| 10 | 011968 | Grease fitting, 1/8 - N.P.T. - 67-1/2° vented | 4 | 546- |
| 11 | 010003 | Bearing cup, 3-5/8" O.D. | 4 | 546- |
| 12 | 010004 | Bearing cone, 1-25/32" I.D. x 25/32" thick | 4 | 546- |
| 13 | 010175 | Oil seal, 2-1/4" I.D. x 3-1/4" O.D. x 1/4" thick | 4 | 546- |
| 14 | 203280 | Beam assembly, R.H. | 1 | 546- |
| 15 | 011666 | Bearing bronze, 3-33/64" I.D. x 4" O.D. x 2" thick | 4 | 546- |
| 16 | 203274 | Main axle assembly | 1 | 546- |
| 17 | 011962 | Grease fitting, 1/8 N.P.T. | 2 | 546- |
| 18 | 203281 | Beam assembly, L.H. | 1 | 546- |
| 19 | 010163 | Locknut, 3/8" | 2 | 546- |
| 20 | 203289 | Spacer, 3-1/2" standard black pipe x 1" thick | 2 | 546- |
| 21 | 011664 | Washer, 3-17/32" I.D. x 4-1/2" O.D. x 9/64" thick | 2 | 546- |
| 22 | K 4589 | Machine bolt, 3/8 x 4-1/2" (Grade 5) | 2 | 546- |
| 23 | 011028 | Machine bolt, 5/8 x 1-1/4" (Grade 5) | 6 | 546- |

| Key | Part No. | Description | Used | Lot No. |
|-----|----------|---|------|---------|
| 24 | K 4666 | Washer, 21/32" I.D. x 1-3/8" O.D. x 1/16" thick | 12 | 546- |
| 25 | 010032 | Locknut, 5/8" | 6 | 546- |
| 26 | 203613 | Chain slide | 2 | 546- |
| | 013588 | Machine bolt, 3/8 x 1-1/2" | 4 | |
| 27 | 203890 | Shield assembly, R.H. (optional) | 1 | 546- |
| 28 | 203889 | Shield assembly, R.H. (optional) | 1 | 546- |
| 29 | 203896 | Spacer, 1/2" x 5-3/8" (optional) | 2 | 546- |
| 30 | 203780 | Spindle, 13-3/4" long | 4 | 546- |

FEED SHAFT AND CONVEYOR

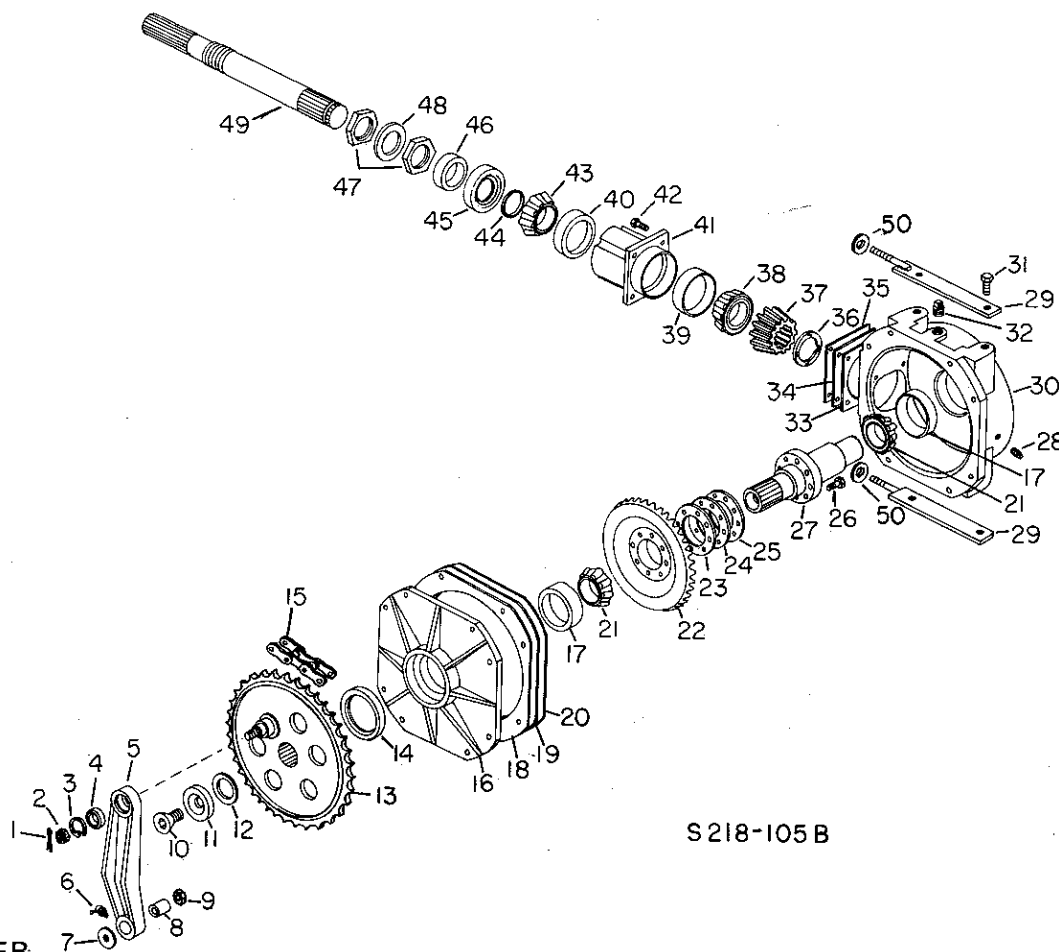


218 SPREADER

LOT 546-

| Key | Part No. | Description | Used | Lot No. |
|-----|----------|---|------|---------|
| 1 | 011674 | Bearing phenolic, 1-13/32" I.D. x 1-37/64" O.D. x 7/8" long | 4 | 546- |
| 2 | 203454 | Bearing assembly | 2 | 546- |
| 3 | 011962 | Grease fitting, 1/8" N.P.T. | 2 | 546- |
| 4 | 203850 | 5 tooth sprocket, 1-3/8" I.D. | 2 | 546- |
| 5 | K 1169 | Setscrew, 3/8 x 1/2" hollow hd., cup point | 2 | 546- |
| 6 | 203494 | Conveyor shaft, 1-3/8" O.D. x 74-23/32" long | 1 | 546- |
| 7 | 011273 | Woodruff key, #21, 1/4 x 1-1/4" | 2 | 546- |
| 8 | 010487 | Washer, 1-13/32" I.D. x 2-3/16" O.D. x 1/16" thick | 8 | 546- |
| 9 | 010233 | Cotter pin, 3/16 x 2" | 1 | 546- |
| 10 | 203649 | Chain slide, R.H. | 1 | 546- |
| | 013847 | Carriage bolt, 1/2 x 2-1/2" | 2 | |
| 11 | 203650 | Chain slide, L.H. | 1 | 546- |
| | 013847 | Carriage bolt, 1/2 x 2-1/2" | 2 | |
| 12 | 013491 | Nut, square, 1/2" | 2 | 546- |
| 13 | 203235 | Backup plate, 2 x 3-1/2 x 3/16" | 2 | 546- |
| 14 | 010220 | Cotter pin, 1/8 x 3/4" | 4 | 546- |
| 15 | 011440 | Pin for D 667 J chain | 4 | 546- |
| 16 | 011438 | Connector link for D 667 J chain | 2 | 546- |
| 17 | 011439 | Attachment link for D 667 J chain | 2 | 546- |
| 18 | 203718 | Conveyor bar assembly | 1 | 546- |
| | 203579 | Conveyor bar, 1-1/2 x 2 x 58-1/4" | 1 | 546- |
| | 013077 | Rivet, 3/8 x 1-1/8" | 2 | |
| 19 | 203303 | Conveyor assembly complete for D 667 J chain | | 546- |
| | 203631 | One strand of conveyor chain, less bars, consisting of 127 plain links, 25 attaching links and 2 connector links | | 546- |
| 20 | 011685 | Washer, 17/32" I.D. x 1-5/8" O.D. x 3/16" thick | 2 | 546- |
| 21 | 011669 | Machine bolt, 1/2 x 8" | 2 | 546- |

GEAR CASE



S 218-105 B

218 SPREADER

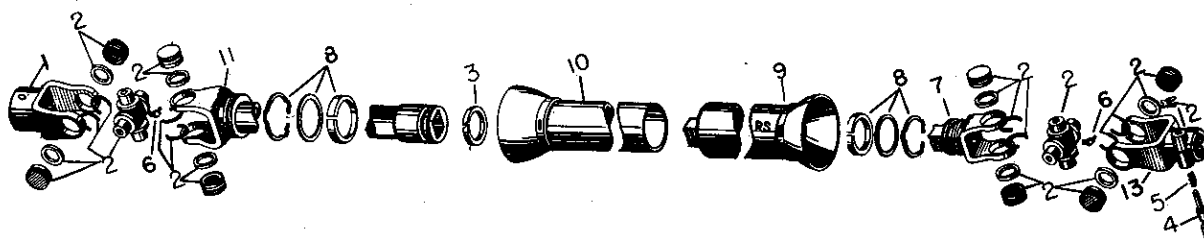
LOT 546-

| Key | Part No. | Description | Used | Lot No. |
|-----|----------|---|------|---------|
| 1 | 010215 | Cotter pin, 1/8 x 1" | 1 | 546- |
| 2 | K 2288 | Nut, 3/4" slotted | 1 | 546- |
| 3 | K 4821 | Snap ring - internal | 1 | 546- |
| 4 | 011668 | Bearing ball | 1 | 546- |
| 5 | 203460 | Crank arm | 1 | 546- |
| | 014096 | Machine bolt 5/8 x 6" | 1 | |
| 6 | 011967 | Grease fitting, 1/8 N.P.T. - 67-1/2° | 1 | 546- |
| 7 | K 3206 | Washer, 21/32" I.D. x 1-1/2" O.D. x 3/32" thick | 1 | 546- |
| 8 | 202807 | Bushing, 21/32" I.D. x 1" O.D. x 1-1/2" long | 1 | 546- |
| 9 | 010032 | Locknut, 5/8" | 1 | 546- |
| 10 | 012289 | Socket head screw | 1 | 546- |
| 11 | 202794 | Washer, 2" O.D. x 3/16" thick | 1 | 546- |
| 12 | 202793 | Gasket, 1-1/8" I.D. x 2" O.D. x 1/16" thick | 1 | 546- |
| 13 | 203905 | 42 tooth sprocket with pin for #60 roller chain, splined | 1 | 546- |
| 14 | 010005 | Oil seal, 2-1/4" I.D. x 3-1/8" O.D. | 1 | 546- |
| 15 | 203292 | Roller chain, No. 60, 3/4 pitch, 64 total pitch (for repair of chain see page 63) | 1 | 546- |
| 16 | 202788 | Gear case cover assembly with bearing cup | 1 | 546- |
| | 013583 | Machine bolt, 3/8 x 1" | 8 | |
| 17 | 010003 | Bearing cup, 3-1/16" O.D. | 2 | 546- |
| 18 | 202795 | Shim, .005 | A.R. | 546- |
| 19 | 202796 | Shim, .007 | A.R. | 546- |
| 20 | 202797 | Shim, .020 | A.R. | 546- |
| 21 | 010004 | Bearing cone, 1-25/32" I.D. | 2 | 546- |

GEAR CASE (Con't.)

| Key | Part No. | Description | Used | Lot No. |
|-----|----------|--|------|---------|
| 22 | 202799 | 38 tooth bevel gear | 1 | 546- |
| 23 | 202800 | Shim, .005 | A.R. | 546- |
| 24 | 202801 | Shim, .007 | A.R. | 546- |
| 25 | 202802 | Shim, .020 | A.R. | 546- |
| 26 | 011099 | Bolt, machine, 3/8 x 1-1/8" hardened | 8 | 546- |
| 27 | 202798 | Main shaft | 1 | 546- |
| 28 | K 1336 | Pipe plug, 1/8" sq. hd. | 1 | 546- |
| 29 | 202851 | Tightener assembly | 2 | 546- |
| 30 | 202786 | Gear case assembly with bearing cup | 1 | 546- |
| | 203843 | Gear case complete with 42 tooth sprocket | 1 | 546- |
| 31 | K 4729 | Bolt, machine, 5/8 x 1-1/4" hardened | 4 | 546- |
| 32 | 450135 | Breather plug, 1/2" sq. hd. | 1 | 546- |
| 33 | 010014 | Shim, .005 | A.R. | 546- |
| 34 | 010010 | Shim, .002 | A.R. | 546- |
| 35 | 010012 | Shim, .020 | A.R. | 546- |
| 36 | 010172 | Snap ring kit - interlocking | 2 | 546- |
| 37 | 201461 | 13 tooth bevel pinion gear | 1 | 546- |
| 38 | K 2284 | Bearing cone, 1-1/4" I.D. | 1 | 546- |
| 39 | K 2283 | Bearing cup, 2-7/16" O.D. | 1 | 546- |
| 40 | K 3548 | Bearing cup, 2-21/64" O.D. | 1 | 546- |
| 41 | 201463 | Cap assembly with bearing cups | 1 | 546- |
| 42 | 012683 | Bolt, machine, 3/8 x 1-1/4" hardened | 4 | 546- |
| 43 | K 3549 | Bearing cone, 1-1/4" I.D. | 1 | 546- |
| 44 | K 4958 | "O" ring seal, 1-1/2" O.D. x 1-15/16" I.D. | 1 | 546- |
| 45 | K 4582 | Oil seal, 2-7/16" O.D. x 1-11/16" I.D. | 1 | 546- |
| 46 | 010016 | Collar, 1-11/16" O.D. x 1-1/4" I.D. x 1/2" long | 1 | 546- |
| 47 | 0466 HS | Nut, 1-1/4" | 2 | 546- |
| 48 | K 4544 | Locking washer, 2-1/4" O.D. x 1-9/32" I.D. x 1/16" thick | 1 | 546- |
| 49 | 201460 | Pinion shaft, 10" long | 1 | 546- |
| 50 | K 826 | Washer, 1/2" I.D. x 1-1/4" O.D. x 1/16" | 2 | 546- |

FRONT P.T.O.



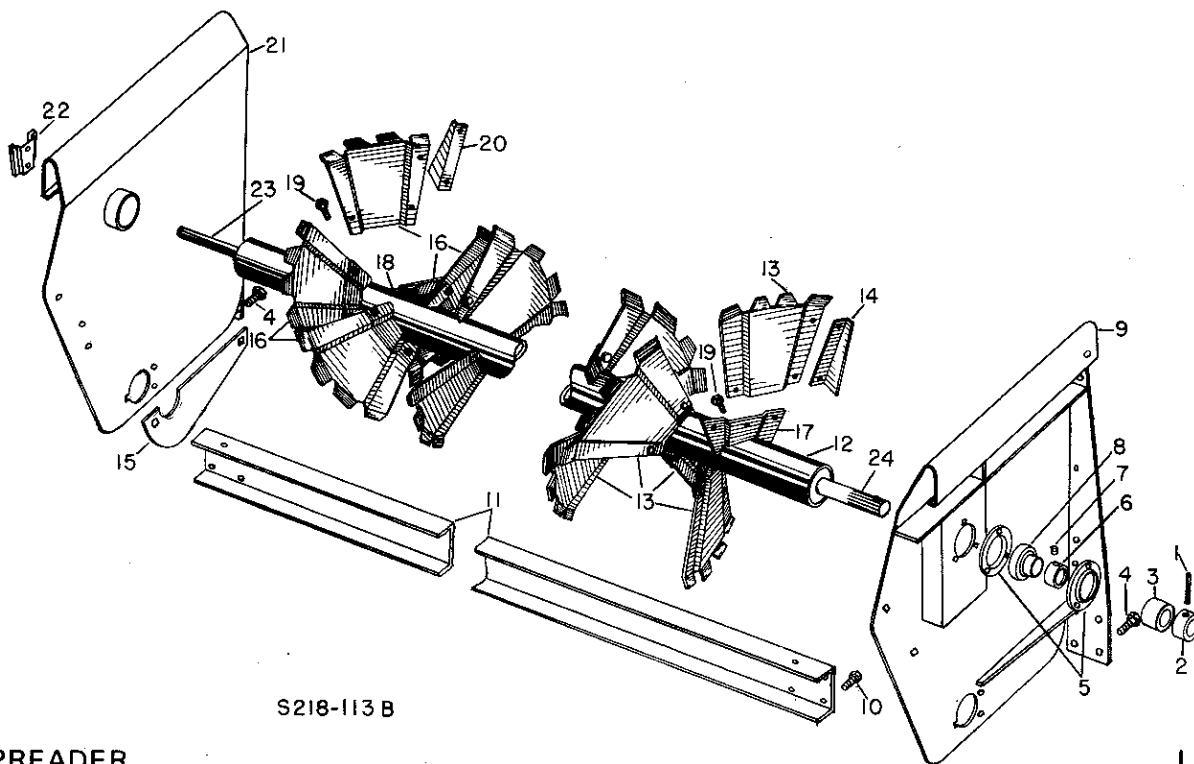
218 SPREADER

S20I-IIIIB

LOT 546-

| Key | Part No. | Description | Used | Lot No. |
|-----|----------|---|------|---------|
| 1 | K 4084 | Yoke | 1 | 546- |
| 2 | 012716 | Center Cross Kit | 1 | 546- |
| | 011073 | Snap Ring Kit | 1 | 546- |
| 3 | K 4711 | Nylon bearing, 2-3/8" O.D. x 2" I.D. x 1/4" thick | 1 | 546- |
| 4 | K 3424 | Quick Lock Pin (for 540 R.P.M. yoke) | 1 | 546- |
| | K 4745 | Quick Lock Pin (for 1000 R.P.M. yoke) | 1 | 546- |
| 5 | K 1846 | Lock Pin Spring, 4 coils, 7/8" long | 1 | 546- |
| 6 | 011967 | Grease fitting | 1 | 546- |
| 7 | K 4709 | Yoke and shaft, front half | 1 | 546- |
| 8 | K 4789A | Bearing kit (includes nylon bearing, washer and lock ring) | 1 | 546- |
| 9 | K 4710 | Shield housing, front half | 1 | 546- |
| 10 | K 4707 | Shield housing, rear half | 1 | 546- |
| | 012850 | P.T.O. Lubrication sign | 1 | 546- |
| 11 | K 4706 | Yoke and Tube, rear half | 1 | 546- |
| 12 | K 3421 | X Washer | 1 | 546- |
| 13 | K 3339A | 1-3/8" Spline Yoke assembly, 540 R.P.M. (includes: X washer, spring and pin) | 1 | 546- |
| | K 4250A | 1-3/8" Spline Yoke assembly, 1000 R.P.M., P.T.O. (includes: X washer, spring and pin) | 1 | 546- |

CYLINDER AND SIDE SHEETS

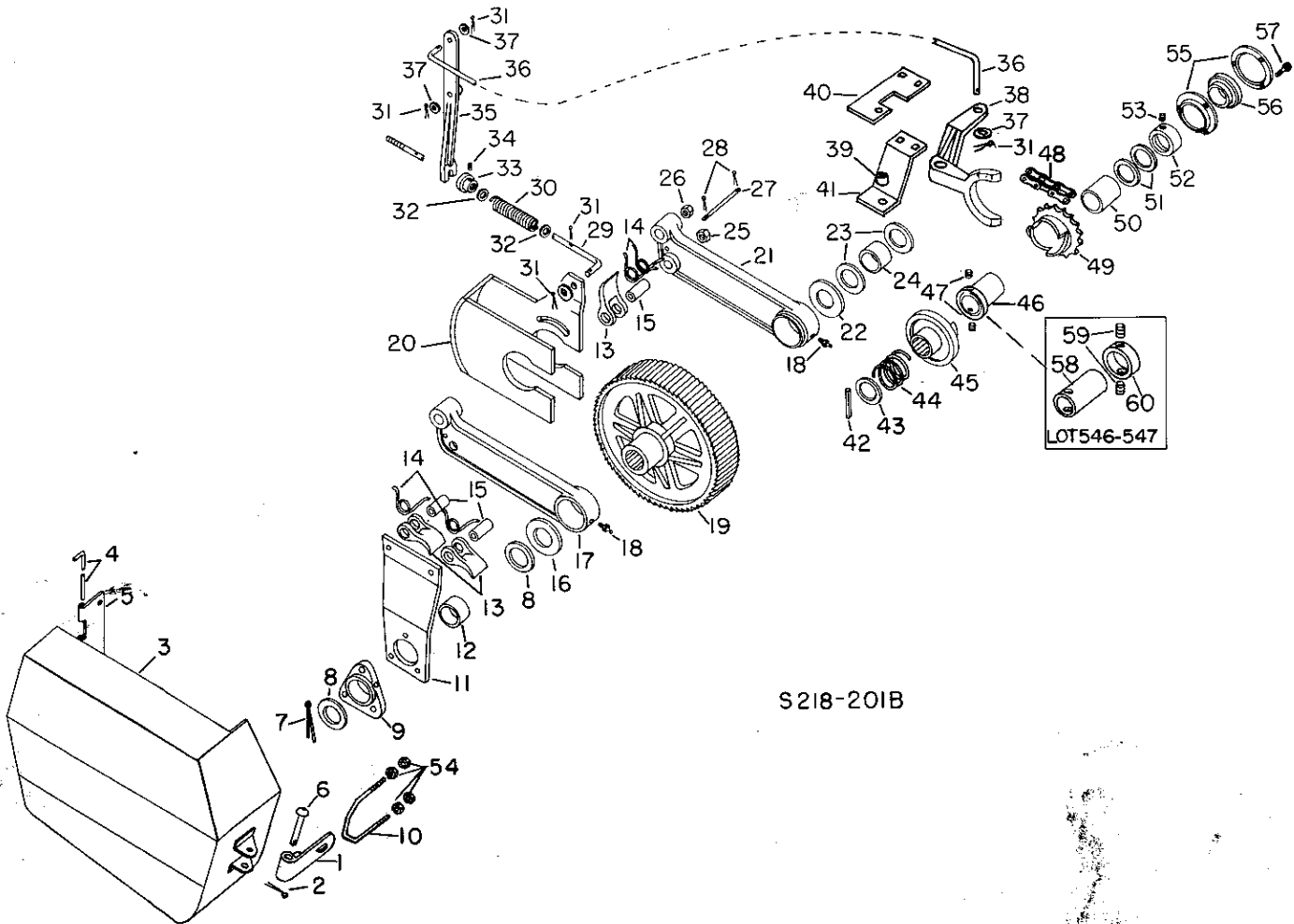


218 SPREADER

LOT 546 -

| Key | Part No. | Description | Used | Lot No. |
|-----|----------|--|------|---------|
| 1 | K 3427 | Roll pin, 5/16 x 2" | 1 | 546- |
| 2 | 200048 | Collar, 1-1/4" I.D. | 1 | 546- |
| 3 | 575830 | Spacer, 1-1/4" I.D. | 1 | 546- |
| 4 | 010476 | Machine bolt, 1/2 x 1-1/4" - Grade 5 | 2 | 546- |
| 5 | 012217 | Bearing housing | 2 | 546- |
| | 013824 | Carriage bolt, 3/8 x 1" | 3 | |
| 6 | 010189 | Locking collar, 1-1/4" dia. bore | 1 | 546- |
| 7 | K 1153 | Setscrew, 3/8 x 3/8" | 1 | 546- |
| 8 | 010033 | Ball bearing, 1-1/4" I.D. x 2-27/32" O.D. x 3/4" thick | 1 | 546- |
| 9 | 203485 | Support assembly, R.H. | 1 | 546- |
| | 013929 | Carriage bolt, 3/8 x 3/4" | 1 | |
| | 013939 | Carriage bolt, 1/2 x 1" | 2 | |
| | 014077 | Machine bolt, 1/2 x 1" | 4 | |
| 10 | K 3645 | Machine bolt, 1/2 x 1" - Grade 5 | 4 | 546- |
| 11 | 203493 | Channel, 4-3/4" x 76" long | 1 | 546- |
| 12 | 203499 | Cylinder assembly | 1 | 546- |
| 13 | 203693 | Paddle, R.H. | 8 | 546- |
| 14 | 203691 | Scraper, R.H. | 1 | 546- |
| | 013583 | Machine bolt, 3/8 x 1" | 2 | |
| 15 | 203473 | Filler sheet | 1 | 546- |
| | 013929 | Carriage bolt, 3/8 x 3/4" | 2 | |
| 16 | 203694 | Paddle, L.H. | 8 | 546- |
| 17 | 203505 | Paddle support, R.H. | 8 | 546- |
| 18 | 203506 | Paddle support, L.H. | 8 | 546- |
| 19 | 011029 | Machine bolt, 5/8 x 1-1/2" - Grade 5 | 32 | 546- |
| 20 | 203692 | Scraper plate, L.H. | 1 | 546- |
| | 013538 | Machine bolt, 3/8 x 1" | 2 | |
| 21 | 203474 | Support assembly, L.H. | 1 | 546- |
| | 013929 | Carriage bolt, 3/8 x 3/4" | 1 | |
| | 013939 | Carriage bolt, 1/2 x 1" | 2 | |
| | 014077 | Machine bolt, 1/2 x 1" | 4 | |
| 22 | K 3801 | Light bracket | 1 | 546- |
| 23 | 203495 | Stub shaft assembly, L.H. | 1 | 546- |
| 24 | 203497 | Stub shaft assembly, R.H. | 1 | 546- |

FEED AND RATCHET WHEEL



218 SPREADER

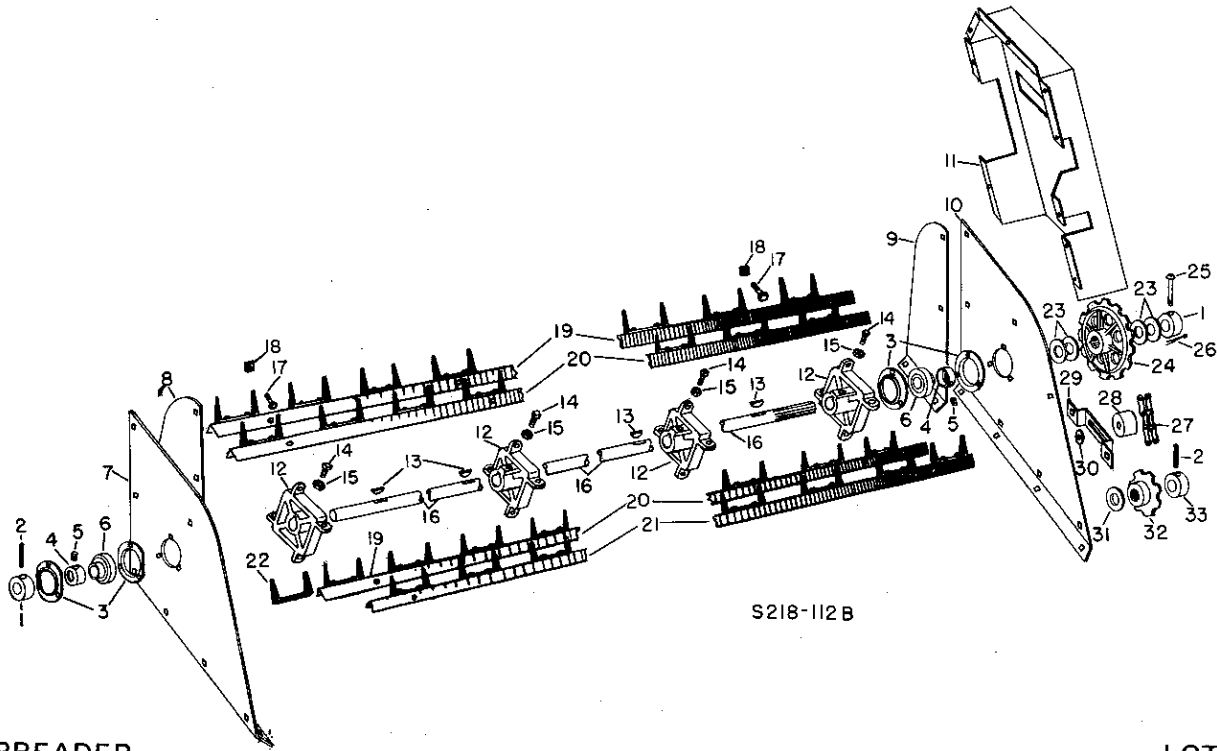
LOT 546 -

| Key | Part No. | Description | Used | Lot No. |
|-----|----------|---|------|---------|
| 1 | 714374 | Door latch | 1 | 546- |
| 2 | 010214 | Cotter pin, 1/8 x 3/4" | 1 | 546- |
| 3 | 203749 | Shield door assembly | 1 | 546- |
| 4 | 202854 | Hinge pin, 3/16" dia. x 21-1/2" long | 1 | 546- |
| 5 | 202839 | Hinge | 1 | 546- |
| | 013929 | Carriage bolt, 3/8 x 3/4" | 4 | |
| | 013580 | Machine bolt, 3/8 x 3/4" | 1 | |
| 6 | 013241 | Rivet, 5/16 x 1-3/4" | 1 | 546- |
| 7 | 010232 | Cotter pin, 3/16 x 1-3/4" | 1 | 546- |
| 8 | 010504 | Washer, 1-1/32" I.D. x 1-5/8" O.D. x 1/16" thick | A.R. | 546- |
| 9 | 203659 | Bearing assembly | 1 | 546- |
| 10 | 710291 | Latch yoke | 1 | 546- |
| 11 | 203472 | Bearing bracket | 1 | 546- |
| | 013931 | Carriage bolt, 3/8 x 1" | 3 | |
| 12 | K 3511 | Bearing, bronze, 1" I.D. x 1-1/4" O.D. x 1" thick | 1 | 546- |
| 13 | 200166 | Pawl | 3 | 546- |
| | 013619 | Machine bolt, 1/2 x 2-3/4" | 2 | |
| | 013625 | Machine bolt, 1/2 x 4-1/4" | 1 | |
| 14 | 203736 | Pawl spring | 4 | 546- |
| 15 | 200448 | Spacer, 17/32" I.D. x 3/4" O.D. x 1-3/8" long | 3 | 546- |
| 16 | 011441 | Washer, 1-1/32" I.D. x 3" O.D. x 1/16" thick | 1 | 546- |

FEED AND RATCHET WHEEL (Con't.)

| Key | Part No. | Description | Used | Lot No. |
|-----|----------|---|------|---------|
| 17 | 203461 | Feed drive arm, L.H. | 1 | 546- |
| 18 | 011976 | Grease fitting, 1/4 N.S.T. straight | 2 | 546- |
| 19 | 203463 | Ratchet wheel, splined - 125 tooth (order 203771) | 1 | 546-561 |
| | 203771 | Ratchet wheel, splined - 125 tooth | 1 | 580- |
| 20 | 203464 | Feed selector assembly | 1 | 546- |
| 21 | 203462 | Feed drive arm, R.H. | 1 | 546- |
| 22 | 010496 | Washer, 1-9/32" I.D. x 3" O.D. x 1/16" thick | 1 | 546- |
| 23 | 010487 | Washer, 1-9/32" I.D. x 1-3/4" O.D. x 1/16" thick | A.R. | 546- |
| 24 | 760030 | Spacer, 1-7/16" I.D. x 1-7/8" O.D. x 1-1/4" thick | 1 | 546- |
| 25 | 010165 | Locknut, 1/2" | 1 | 546- |
| 26 | 010032 | Locknut, 5/8" | 1 | 546- |
| 27 | 200454 | Pawl spring pin, 1/4" dia. x 3-7/8" long | 1 | 546- |
| 28 | 010209 | Cotter pin, 3/32 x 1/2" | 2 | 546- |
| 29 | 203468 | Feed selector rod, 7/16" dia. x 21-7/16" long | 1 | 546- |
| 30 | K 4637 | Compression spring for feed rod, 7/8" O.D. x 12" long, 35 coils | 1 | 546- |
| 31 | 010214 | Cotter pin, 1/8 x 3/4" | 5 | 546- |
| 32 | 010491 | Washer, 17/32" I.D. x 1" O.D. x 1/16" thick | 2 | 546- |
| 33 | M 349 | Feed control rod set collar, 1-5/16" dia. x 1" long | 1 | 546- |
| 34 | K 1155 | Setscrew, square head cup point, 3/8 x 5/8" | 1 | 546- |
| 35 | 202849 | Throwout arm | 1 | 546- |
| 36 | 203469 | Throwout rod, 7/16" O.D. x 16-1/2" long | 1 | 546- |
| 37 | K 2882 | Washer, 15/32" I.D. x 15/16" O.D. x 1/16" thick | 3 | 546- |
| 38 | 202843 | Clutch fork | 1 | 546- |
| | 013591 | Machine bolt, 3/8 x 2-1/4" | 1 | |
| 39 | 202844 | Spacer, 13/32" I.D. x 5/8" O.D. x 1-1/4" long | 1 | 546- |
| 40 | 203471 | Fork support, upper | 1 | 546- |
| | 013824 | Carriage bolt, 3/8 x 1" | 2 | |
| 41 | 203470 | Fork support, lower | 1 | 546- |
| | 013824 | Carriage bolt, 3/8 x 1" | 2 | |
| 42 | K 3427 | Roll pin, 5/16 x 2" | 1 | 546- |
| 43 | 012714 | Washer, 1-9/32" I.D. x 2-1/2" O.D. x 7/64" thick | 1 | 546- |
| 44 | 010791 | Compression spring, 5/32" dia. wire, 4 coils | 1 | 546- |
| 45 | 202819 | Clutch driver | 1 | 546- |
| 46 | 204581 | Spacer, 1-1/4" I.D. x 2" long (shouldered) with 010771 set screw | 1 | 554- |
| 47 | 010771 | Set screw, 5/16 x 5/8" hollow hd., cup point | 2 | 554- |
| 48 | 203292 | Roller chain, No. 60, 3/4 pitch, 75 total pitches (for repair of chain see page 63) | 1 | 546- |
| 49 | 203458 | Sprocket assembly, 26 tooth, with 011446 bearing | 1 | 546- |
| 50 | 011446 | Bearing bronze, 1-5/8" I.D. x 1-7/8" O.D. x 1-1/2" long | 1 | 546- |
| 51 | K 1781 | Washer, 1-9/32" I.D. x 2-3/8" O.D. x 1/16" thick | 2 | 546- |
| 52 | 010189 | Locking collar, 1-1/4" dia. | 1 | 546- |
| 53 | K 1153 | Setscrew, 3/8 x 3/8" | 1 | 546- |
| 54 | 010162 | Locknut, 5/16" | 4 | 546- |
| 55 | 012217 | Bearing housing | 2 | 546- |
| 56 | 010033 | Ball bearing, 1-1/4" I.D. x 2-27/32" O.D. x 3/4" thick | 1 | 546- |
| 57 | 013824 | Carriage bolt, 3/8 x 1" | 3 | 546- |
| 58 | 202820 | Spacer, 1-1/4" I.D. x 1-5/8" Long (order 204581) | 1 | 546-547 |
| | 204581 | Spacer assembly, 1-1/4" I.D. x 2" long (shouldered), includes 010771 set screws | 1 | 554- |
| 59 | 011450 | Set screw, 1/4" x 5/8" hollow head cup point | 2 | 546-547 |
| 60 | 202821 | Collar, 1-5/8" I.D. x 2-1/8" O.D. x 7/16" (order 204581) | 1 | 546-547 |
| | 204581 | Spacer assembly, 1-1/4" I.D. x 2" long (shouldered) includes 010771 set screws | 1 | 554- |

UPPER CYLINDER (OPTIONAL)



218 SPREADER

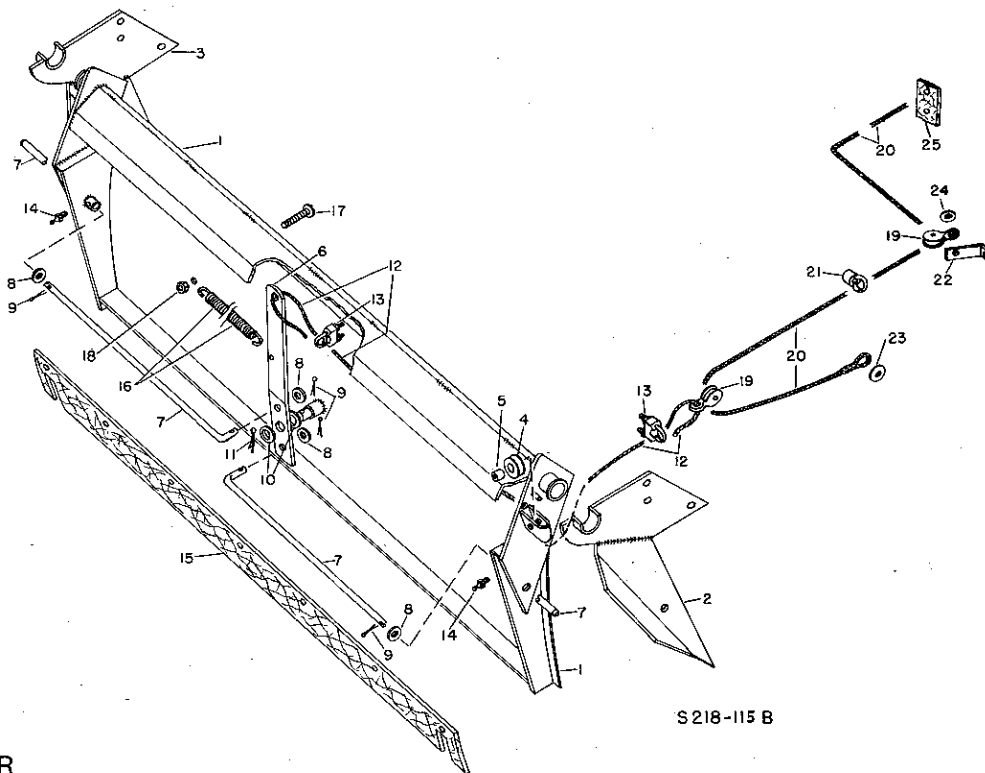
LOT 546 -

| Key | Part No. | Description | Used | Lot No. |
|-----|----------|---|------|---------|
| 1 | 200044 | Collar, 1-1/4" I.D. | 2 | 546- |
| 2 | K 3427 | Roll pin, 5/16 x 2" | 1 | 546- |
| 3 | K 2578 | Bearing housing | 4 | 546- |
| | 013824 | Carriage bolt, 3/8 x 1" | 6 | |
| 4 | K 3518 | Lock collar, 1-1/8" | 2 | 546- |
| 5 | K 2693 | Setscrew, 5/16 x 5/16" allen hd., cup point | 1 | 546- |
| 6 | K 3501 | Ball bearing, 1-1/8" I.D. | 2 | 546- |
| 7 | 203363 | Cylinder support, L.H. | 1 | 546- |
| | 013822 | Carriage bolt, 3/8 x 3/4" | 4 | |
| 8 | 203812 | Shield, L.H. | 1 | 546- |
| | 013822 | Carriage bolt, 3/8 x 3/4" | 3 | |
| 9 | 203813 | Shield, R.H. | 1 | 546- |
| | 013822 | Carriage bolt, 3/8 x 3/4" | 2 | |
| 10 | 203364 | Cylinder support, R.H. | 1 | 546- |
| | 013822 | Carriage bolt, 3/8 x 3/4" | 4 | |
| 11 | 203815 | Cover shield | 1 | 546- |
| 12 | 203887 | Cylinder heads | 4 | 546- |
| 13 | 011273 | Key #21, woodruff, 3/16 x 1" | 4 | 546- |
| 14 | K 1189 | Setscrew, 1/2 x 1-1/4" | 4 | 546- |
| 15 | K 579 | Jam nut, 1/2" | 4 | 546- |
| 16 | 203811 | Cylinder shaft, 1-1/8" O.D. x 77-13/16" long | 1 | 546- |
| 17 | K 4416 | Machine bolt, 3/8 x 1-1/2", heat treated | 16 | 546- |
| 18 | 010163 | Locknut, 3/8" | 16 | 546- |
| 19 | 203805 | Cylinder bar assembly, 1-1/2 x 1-1/2 x 70-1/2 x 3/16" thick | 1 | 546- |
| 20 | 203806 | Cylinder bar assembly, 1-1/2 x 1-1/2 x 70-1/2 x 3/16" thick | 2 | 546- |
| 21 | 203807 | Cylinder bar assembly, 1-1/2 x 1-1/2 x 70-1/2 x 3/16" thick | 1 | 546- |
| | 013014 | Rivet, 5/16 x 7/8" | A.R. | |
| 22 | 0312 SR | Cylinder tooth | A.R. | 546- |
| 23 | 010512 | Washer, 1-5/32" I.D. x 2" O.D. x 1/16" thick | A.R. | 546- |
| 24 | 202888 | 15 tooth sprocket, splined, for #2060 chain | 1 | 546- |
| 25 | 013154 | Rivet, drilled, 5/16 x 2-1/4" | 1 | 546- |
| 26 | 010214 | Cotter pin, 1/8 x 3/4" | 1 | 546- |

UPPER CYLINDER (OPTIONAL) (Con't.)

| Key | Part No. | Description | Used | Lot No. |
|-----|----------|--|------|---------|
| 27 | 715283 | Cylinder drive chain, 1-1/2" extended pitch - #2060 chain consisting of 47 total pitches (for repair of chain see page 63) | 1 | 546- |
| 28 | 300041 | Chain slide | 1 | 546- |
| | 013937 | Carriage bolt, 3/8 x 2-3/4" | 1 | |
| 29 | 711794 | Tightner bracket | 1 | 546- |
| | 013811 | Carriage bolt, 5/16 x 3/4" | 2 | |
| 30 | 010503 | Washer, 17/32" I.D. x 1-3/8" O.D. x 1-1/8" | 1 | 546- |
| 31 | K 4795 | Washer, 1-9/32" I.D. x 1-7/8" O.D. x 1/16" thick | 1 | |
| 32 | 203457 | 9 tooth sprocket, splined, for #2060 chain | 1 | 546- |
| | 760120 | 12 tooth sprocket (speed up) | 1 | |
| 33 | 200048 | Collar, 1-1/4" I.D. | 1 | 546- |

PAN (OPTIONAL)



S218-115 B

218 SPREADER

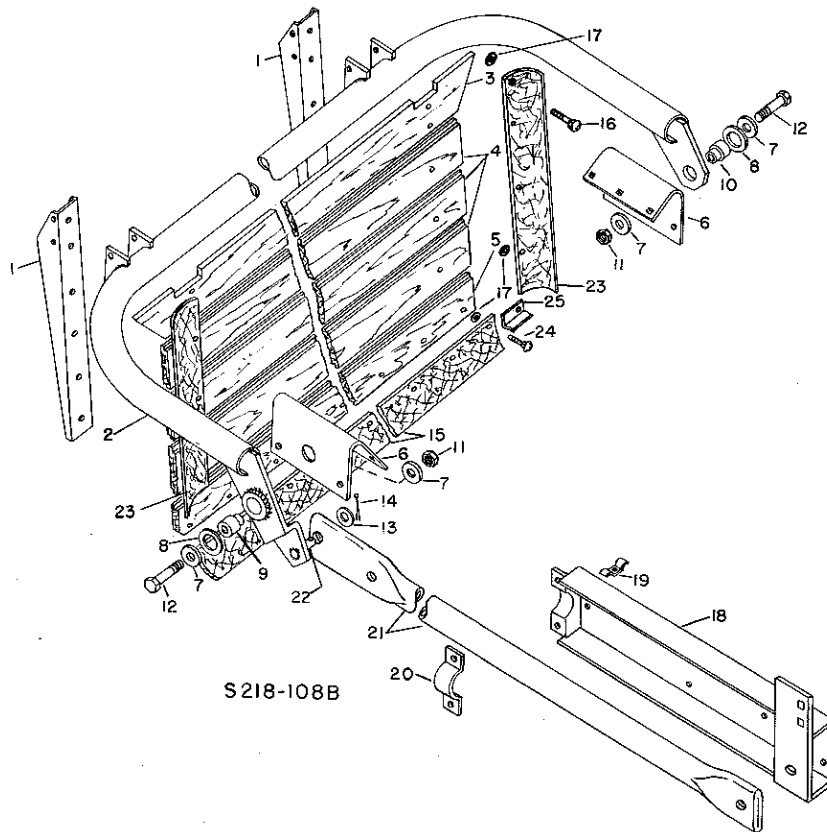
LOT 546 -

| Key | Part No. | Description | Used | Lot No. |
|-----|----------|---|------|---------|
| 1 | 204439 | Pan assembly | 1 | 546- |
| 2 | 204460 | Support assembly, R.H. | 1 | 546- |
| | 013823 | Carriage bolt, 3/8 x 7/8" | 3 | |
| 3 | 204459 | Support assembly, L.H. | 1 | 546- |
| | 013823 | Carriage bolt, 3/8 x 7/8" | 3 | |
| 4 | 125 ME | Cable roller | 1 | 546- |
| 5 | K 1652 | Bushing, 9/16" O.D. x 9/16" long | 1 | 546- |
| 6 | 204433 | Lever | 1 | 546- |
| 7 | 204434 | Rod, latch, 7/16" dia. x 33-5/16" long | 2 | 546- |
| 8 | K 2882 | Washer, 15/32" I.D. x 15/16" O.D. x 1/16" thick | 4 | 546- |
| 9 | 010214 | Cotter pin, 1/8 x 3/4" | 4 | 546- |
| 10 | 010513 | Washer, 25/32" I.D. x 1-1/2" O.D. x 1/16" thick | 2 | 546- |
| 11 | 010230 | Cotter pin, 3/16 x 1-1/4" | 1 | 546- |
| 12 | 204463 | Cable, 3/16 x 87" long | 1 | 546- |
| 13 | K 2952 | Cable clamp | 2 | 546- |
| 14 | 011976 | Grease fitting, 1/4" - 28 N.S.T. | 2 | 546- |
| 15 | 203834 | Sealer strip | 1 | 546- |
| | 013824 | Carriage bolt, 3/8 x 1" | 6 | |
| 16 | 290043 | Spring extension, 3/4" dia., 7" long, 65 coils | 1 | 546- |
| 17 | 010130 | Machine screw (drilled), 5/16 x 1-1/2" | 1 | 546- |
| 18 | 013463 | Nut, 5/16" | 2 | 546- |

PAN (OPTIONAL) (Con't.)

| Key | Part No. | Description | Used | Lot No. |
|-----|----------|---|------|---------|
| 19 | K 2256 | Pulley, 1/4" | 2 | 546- |
| 20 | 203529 | Rope, 5/16" dia., 24' long (Polyethylene) | 1 | 546- |
| 21 | 200554 | Rope guide | 2 | 546- |
| 22 | 204464 | Pulley bracket | 1 | 546- |
| 23 | K 813 | Washer, 13/32" I.D. x 1" O.D. x 1/8" thick | 1 | 546- |
| 24 | K 3037 | Washer, 11/32" I.D. x 11/16" O.D. x 1/16" thick | 1 | 546- |
| 25 | 203181 | Rope guide | 1 | 546- |

HYDRAULIC ENDGATE (OPTIONAL)



218 SPREADER

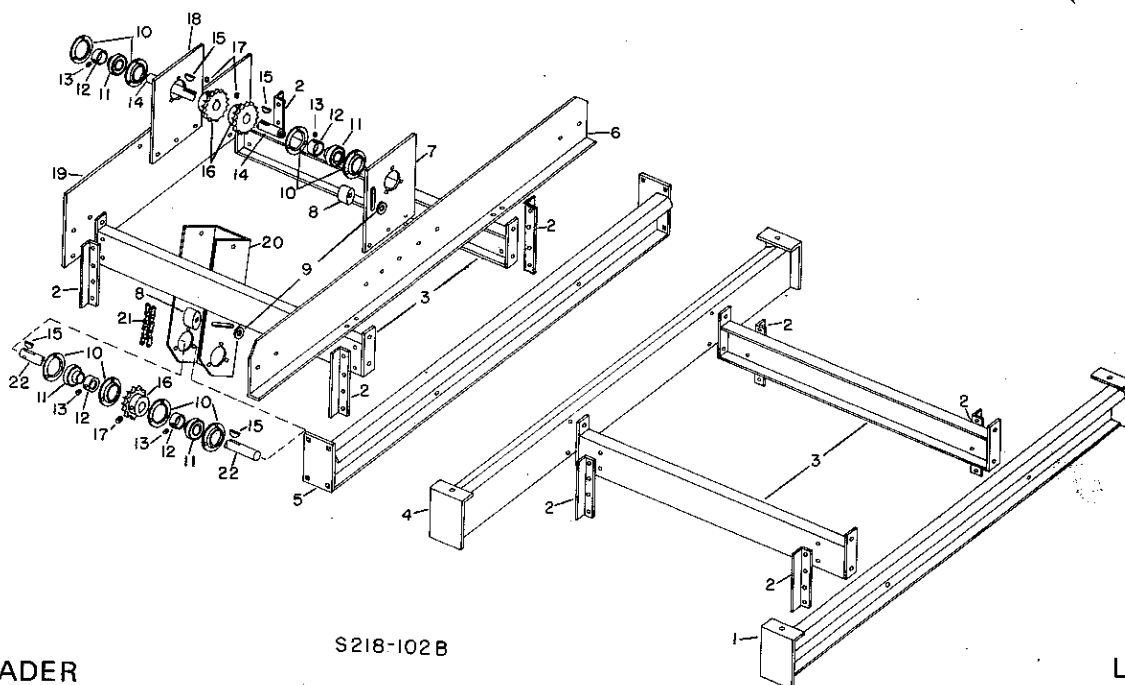
LOT 546 -

| Key | Part No. | Description | Used | Lot No. |
|-----|----------|---|------|---------|
| 1 | 203758 | Support channel (order 204494) | 2 | 546-547 |
| | 204494 | Support channel (only small quantity built) | 2 | |
| | 203290 | Support channel assembly (new production) | 2 | 546- |
| 2 | 203755 | Frame assembly | 1 | 546- |
| | 013625 | Machine bolt, 1/2 x 4-1/2" | 4 | |
| 3 | 203759 | Board - top | 1 | 546- |
| 4 | 203760 | Board - center | 3 | 546- |
| 5 | 203761 | Board, bottom 4-7/16" x 64-1/2" x 3/4" thick | 1 | 546-547 |
| | 203288 | Board, bottom 5-15/32" x 64-1/2" x 3/4" thick | 1 | 546- |
| 6 | 203762 | Pivot support | 2 | 546- |
| | 013613 | Machine bolt, 1/2 x 1-1/4" | 4 | |
| | 013824 | Carriage bolt, 3/8 x 1" | 6 | |
| 7 | K 2562 | Washer, 21/32" I.D. x 2" O.D. x 3/16" thick | 4 | 546- |
| 8 | K 4964 | Washer, 1-17/32" I.D. x 2-1/4" O.D. x 1/16" thick | 2 | 546- |
| 9 | 203706 | Spacer, 21/32" I.D. x 1-1/2" O.D. x 1-3/32" thick | 1 | 546- |
| 10 | 203707 | Spacer, 21/32" I.D. x 1-1/2" O.D. x 27/32" thick | 1 | 546- |
| 11 | 010032 | Locknut, 5/8" | 2 | 546- |
| 12 | 011032 | Machine bolt, 5/8 x 2-1/2" - Grade 5 | 2 | 546- |
| 13 | 010504 | Washer, 1-1/32" I.D. x 1-5/8" O.D. x 1/16" thick | 1 | 546- |
| 14 | 010231 | Cotter pin, 3/16 x 1-1/2" | 1 | 546- |
| 15 | 203883 | Seal | 1 | 546- |
| 16 | K 4104 | Step bolt 3/8 x 1-1/2" | 4 | 546- |
| 17 | K 5031 | Washer, 13/32" x 1-3/8" x 1/8" thick | 5 | 546- |

. HYDRAULIC ENDGATE (OPTIONAL) (Con't.)

| Key | Part No. | Description | Used | Lot No. |
|-----|----------|--|------|---------|
| 18 | 203624 | Bracket assembly | 1 | 546- |
| | 013824 | Carriage bolt, 3/8 x 1" | 2 | |
| | 013589 | Machine bolt, 3/8 x 1-3/4" | 1 | |
| | 013827 | Carriage bolt, 3/8 x 1-3/4" | 4 | |
| 19 | 0722 HS | Hose clip | 1 | 546- |
| | 013589 | Carriage bolt, 3/8 x 1-3/4" | 1 | |
| 20 | 203627 | Slide clamp | 1 | 546- |
| | 013583 | Machine bolt, 3/8 x 1" | 2 | |
| 21 | 203621 | Push rod assembly, 2-1/2" st. blk. pipe x 101-5/16" long | 1 | 546- |
| 22 | 203620 | Pin in frame assembly | 1 | 546- |
| 23 | 204368 | Seal - side (optional) | 2 | 546- |
| 24 | 011794 | Step bolt 3/8 x 1-3/4" | 2 | |
| 25 | 203285 | Angle, 64" long | 1 | 546- |
| | 013826 | Carriage bolt 3/8 x 1-1/2" | 2 | |
| | 013824 | Carriage bolt 3/8 x 1" | 7 | |

TRUCK MOUNTING (OPTIONAL)



218 SPREADER

LOT 546-

| Key | Part No. | Description | Used | Lot No. |
|-----|----------|--|------|---------|
| 1 | 203324 | Channel assembly, rear 67-19/32" long | 1 | 546- |
| 2 | 203710 | Angle bracket, 1-1/4 x 2 x 9" long | 8 | 546- |
| | 013613 | Machine bolt, 1/2 x 1-1/4" | 16 | |
| 3 | 203344 | Support assembly "U" channel, 41-1/2" long | 4 | 546- |
| | 013613 | Machine bolt, 1/2 x 1-1/4" | 16 | |
| 4 | 203223 | Channel assembly, front, 67-1/16" long | 1 | 546- |
| 5 | 203327 | Front channel assembly, 65-9/16" long | 1 | 546- |
| 6 | 203347 | Cross angle, 2 x 6-1/2 x 64-5/8" long | 1 | 546- |
| | 013613 | Machine bolt, 1/2 x 1-1/4" | 5 | |
| | 013637 | Machine bolt, 5/8 x 1-1/4" | 2 | |
| 7 | 203343 | Rear bearing support, 10-7/8 x 12" | 1 | 546- |
| | 013613 | Machine bolt, 1/2 x 1-1/4" | 2 | |
| 8 | 304776 | Chain slide | 2 | 546- |
| | 013851 | Carriage bolt, 1/2 x 4" | 2 | |
| 9 | 010503 | Washer, 17/32" I.D. x 1-3/8" O.D. x 1/8" | 2 | 546- |
| 10 | 012217 | Bearing flange | 8 | 546- |
| | 013824 | Carriage bolt, 3/8 x 1" | 12 | |
| 11 | 010033 | Ball bearing, 1-1/4" I.D. | 4 | 546- |

NO. 218 SPREADER

TRUCK MOUNTING (OPTIONAL) (Con't.)

| Key | Part No. | Description | Used | Lot No. |
|-----|----------|--|------|---------|
| 12 | 010189 | Locking collar | 4 | 546- |
| 13 | K 1153 | Setscrew, 3/8 x 3/8" cup point | 4 | 546- |
| 14 | 203340 | Drive shaft | 1 | 546- |
| 15 | 011273 | Woodruff key #21, 1/4 x 1-1/4" | 3 | 546- |
| 16 | 203341 | 19 tooth sprocket, 1-1/4" bore | 2 | 546- |
| 17 | K 1169 | Setscrew, 3/8 x 1/2" hollow head | 2 | 546- |
| 18 | 203342 | Support plate, front, 10-7/8 x 12" | 1 | 546- |
| | 013613 | Machine bolt, 1/2 x 1-1/4" | 2 | |
| 19 | 203339 | Support plate, 8-1/2 x 38" | 1 | 546- |
| | 013613 | Machine bolt, 1/2 x 1-1/4" | 4 | |
| 20 | 203709 | Channel bearing support | 1 | 546- |
| 21 | 203717 | Drive chain, 3/4 pitch No. 60 roller chain, consisting of 89 total pitches, (for repair of chain see page 63) | 1 | 546- |
| 22 | 203716 | Drive shaft, 1-1/4" O.D. x 10" long | 1 | 546- |

REPAIR FOR ROLLER CHAIN

#40 ROLLER CHAIN - 1/2" PITCH

| | |
|---------|----------------|
| K 4617A | 10' Roll |
| 010982 | 50' Roll |
| 010983 | 100' Roll |
| K 2034 | Roller Link |
| K 2035 | Offset Link |
| K 2036A | Connector Link |

#50 ROLLER CHAIN - 5/8" PITCH

| | |
|---------|----------------|
| K 4618A | 10' Roll |
| 010984 | 50' Roll |
| 010985 | 100' Roll |
| K 2037 | Roller Link |
| K 2038 | Offset Link |
| K 2039A | Connector Link |

#60 ROLLER CHAIN - 3/4" PITCH

| | |
|---------|----------------|
| K 4619A | 10' Roll |
| 010986 | 50' Roll |
| 010987 | 100' Roll |
| K 2040 | Roller Link |
| K 2041 | Offset Link |
| K 2042A | Connector Link |

#60H ROLLER CHAIN - HEAVY 3/4" PITCH

| | |
|---------|----------------|
| 011848 | 10' Roll |
| K 4188 | Offset Link |
| K 4189 | Roller Link |
| K 4190A | Connector Link |

#80 ROLLER CHAIN - 1" PITCH

| | |
|---------|----------------|
| K 4620A | 10' Roll |
| 010988 | 50' Roll |
| 010989 | 100' Roll |
| K 2043 | Roller Link |
| K 2044 | Offset Link |
| K 2045A | Connector Link |

#2040 ROLLER CHAIN - 1" EXTENDED PITCH

| | |
|---------|----------------|
| K 4621A | 10' Roll |
| 010990 | 50' Roll |
| 010991 | 100' Roll |
| K 3007 | Roller Link |
| K 3008A | Connector Link |
| K 3009 | Offset Link |

#2050 ROLLER CHAIN - 1-1/4" EXTENDED PITCH

| | |
|---------|----------------|
| K 4622A | 10' Roll |
| 010992 | 50' Roll |
| 010993 | 100' Roll |
| K 2568 | Roller Link |
| K 2569A | Connector Link |
| K 2570 | Offset Link |

#2060 ROLLER CHAIN - 1/2" EXTENDED PITCH

| | |
|---------|----------------|
| K 4623A | 10' Roll |
| 010994 | 50' Roll |
| 010995 | 100' Roll |
| K 4868 | Roller Link |
| K 4869 | Offset Link |
| K 3731A | Connector Link |

#CA550 ROLLER CHAIN - 1-5/8" PITCH

| | |
|--------|--|
| 011793 | 10' Roll |
| 012213 | Roller Link |
| 012214 | Offset Link |
| 012337 | Attachment Link - Flat Conveyor |
| 012760 | Connector Link |
| 715436 | Attachment Link - Single Paddle Conveyor |
| 304591 | Attachment Link - Gathering Chain |

#6700 ROLLER CHAIN - 2-5/16" PITCH

| | |
|--------|-----------------|
| 010963 | Offset Link |
| 010966 | Connector Link |
| 010967 | Attachment Link |
| 010968 | Roller Link |

IMPORT - ROLLER CHAIN AND SINGLE LINKS

#40 ROLLER CHAIN - 1/2" PITCH

| | |
|--------|----------------|
| 011866 | 10' Roll |
| 011874 | Roller Link |
| 011875 | Offset Link |
| 011876 | Connector Link |

#50 ROLLER CHAIN - 5/8" PITCH

| | |
|--------|----------------|
| 011867 | 10' Roll |
| 011877 | Roller Link |
| 011878 | Offset Link |
| 011879 | Connector Link |

#60 ROLLER CHAIN - 3/4" PITCH

| | |
|--------|-------------|
| 011868 | 10' Roll |
| 011869 | 50' Roll |
| 011880 | Roller Link |
| 011881 | Offset Link |

#2040 ROLLER CHAIN - 1" EXTENDED PITCH

| | |
|--------|----------------|
| 011870 | 10' Roll |
| 011883 | Roller Link |
| 011884 | Offset Link |
| 011885 | Connector Link |

#2050 ROLLER CHAIN - 1-1/4" EXTENDED PITCH

| | |
|--------|----------------|
| 011871 | 10' Roll |
| 011872 | 50' Roll |
| 011886 | Roller Link |
| 011887 | Offset Link |
| 011888 | Connector Link |

#2060 ROLLER CHAIN - 1-1/2" EXTENDED PITCH

| | |
|--------|----------------|
| 011873 | 10' Roll |
| 011889 | Roller Link |
| 011890 | Offset Link |
| 011891 | Connector Link |

REPAIR FOR STEEL CHAIN AND PAINT

| | | |
|---------------|-------------|--------|
| #25 Chain | 10 ft. Roll | 011206 |
| #25 Chain | 1 link | K 1800 |
| #32 Chain | 10 ft. Roll | 011207 |
| #32 Chain | 1 link | K 1801 |
| #42 Chain | 10 ft. Roll | 011208 |
| #42 Chain | 1 link | K 1670 |
| #42 Chain | 10 ft. Roll | 15P189 |
| #50 H Chain | 10 ft. Roll | 011847 |
| #51 Chain | 10 ft. Roll | 15P190 |
| #52 Chain | 10 ft. Roll | 011209 |
| #52 Chain | 1 link | K 1671 |
| #55 Chain | 10 ft. Roll | 011210 |
| #55 Chain | 1 link | K 1672 |
| #57 Chain | 10 ft. Roll | 011211 |
| #57 Chain | 1 link | K 1673 |
| #62 Chain | 10 ft. Roll | 011212 |
| #62 Chain | 1 link | K 1674 |
| #62 H Chain | 10 ft. Roll | 011214 |
| #62 H Chain | 1 link | K 1675 |
| #62 W Chain | 10 ft. Roll | 011215 |
| #62 W Chain | 1 link | K 1676 |
| #67 Chain | 10 ft. Roll | 011216 |
| #67 Chain | 1 link | K 1677 |
| #67 H Chain | 10 ft. Roll | 011217 |
| #67 H Chain | 1 link | K 4036 |
| #67 W Chain | 10 ft. Roll | 011218 |
| #67 W Chain | 1 link | K 1678 |
| #67 X H Chain | 10 ft. Roll | 011219 |
| #67 X H Chain | 1 link | 010770 |
| #70 Chain | 10 ft. Roll | 011220 |
| #70 Chain | 1 link | K 1679 |
| #72 Chain | 10 ft. Roll | 011221 |
| #72 Chain | 1 link | K 1803 |
| #77 Chain | 10 ft. Roll | 011222 |
| #77 Chain | 1 link | K 1804 |

STEEL ATTACHMENTS

| | | | | | |
|------------|--------|------------|----------|-----------|--------|
| #42 AIR | K 1593 | 57K5 | K 1589 | 67 AIR | K 1598 |
| 42 AIL | K 1594 | 57 Coupler | K 1899 | 67 AIL | K 1599 |
| 45 SD | 15P210 | 62 AIR | 15P364 | 67 ARS | K 1598 |
| 55 AIR | 15P349 | 62 AIL | 159365 | 67 ALS | K 1599 |
| 55 AIL | 15P350 | 62A13R | K 3855 | 67C5R | K 1600 |
| 55 AIRS | K 1586 | 62A13L | K 3856 | 67C5L | K 1601 |
| 55 AILS | K 1587 | 62 Coupler | K 3308 | 67 HAIR | K 4032 |
| 55 ARS | K 1638 | 62C1 | K 2729 | 67 HAIL | K 4031 |
| 55 ALS | K 1639 | 62C11 | 010059 | 67 HARS | K 4032 |
| 55C1 | K 1597 | 62CP | K 1642 | 67 HALS | K 4031 |
| 55A2R | K 4906 | 62G47R | 15P220 | 67WC6R | K 1603 |
| 55A2L | K 4907 | 62G47L | 15P221 | 67WC6L | K 1604 |
| 55G27R | K 1595 | 62G48R | 15A12237 | 67WC23 | K 4673 |
| 55G27L | K 1596 | 62G48L | 15A12238 | 67 X HALS | 010768 |
| 55SD | K 1592 | 62 HCP | K 1588 | 67 X HARS | 010769 |
| 55 Coupler | K 3881 | 62K1 | 15P223 | 77 ARS | K 1640 |
| 57 ARS | K 1590 | 62 SH | K 1605 | 77 ALS | K 1641 |
| 57 ALS | K 1591 | 62 SHG | K 4670 | | |

PAINTS

| | | | |
|--------|-----------------------------------|--------|--|
| K 1277 | Orange enamel, quart | 012476 | Bittersweet enamel, 12 ounce spray can |
| K 1278 | Orange enamel, gallon | 012477 | Bittersweet enamel, quart |
| K 1355 | Orange enamel, 12 ounce spray can | 012478 | Bittersweet enamel, gallon |
| K 1352 | Green enamel, quart | 012482 | Buff enamel, 12 ounce spray can |
| K 1353 | Green enamel, gallon | 012483 | Buff enamel, quart |
| K 1354 | Green enamel, 12 ounce spray can | 012484 | Buff enamel, gallon |