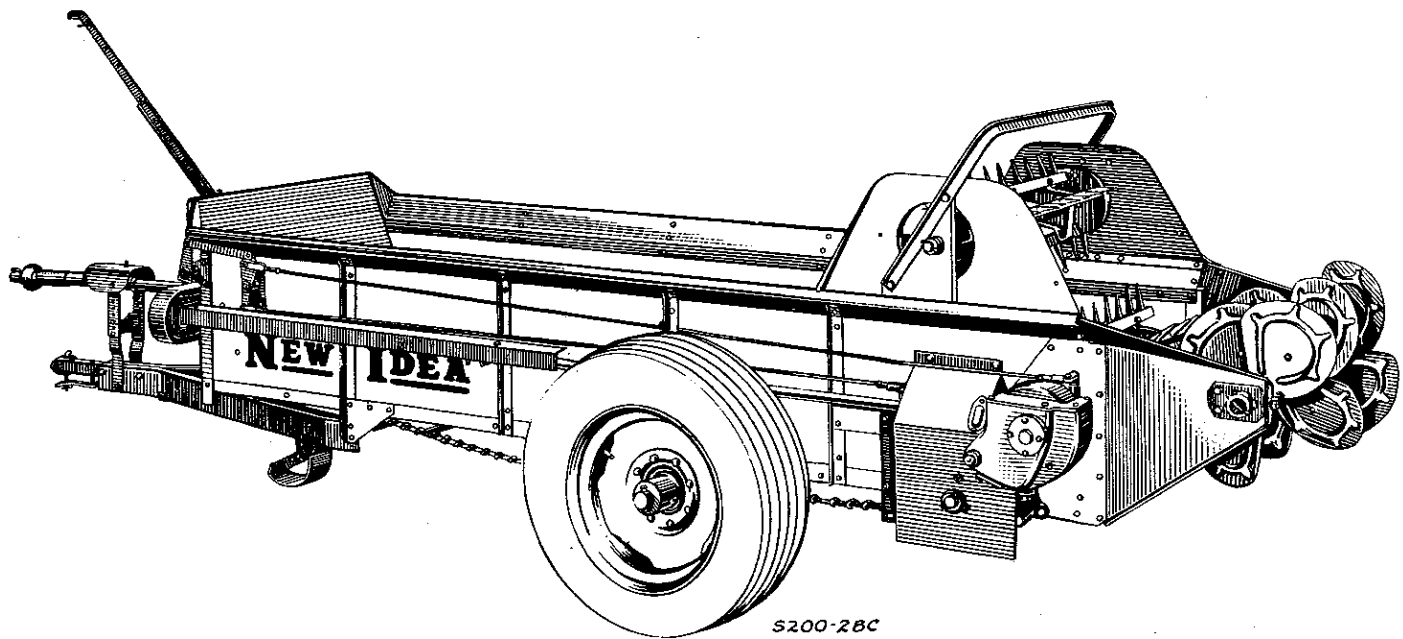


NO. 200 SPREADER

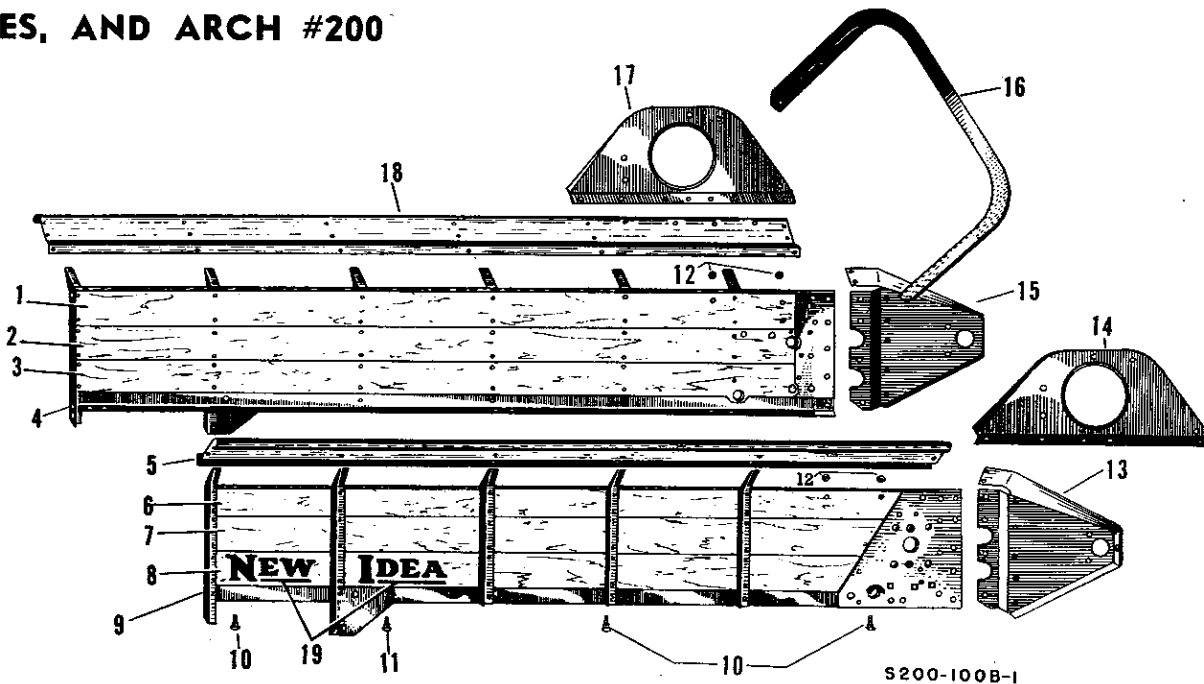
Year Built 1957 to 1960

Lots 387 to 414

INDEX OF NO. 200 SPREADER

Axle and Wheels	75
Bottom	74
Distributor	80
Endgate Attachment	89
Endgate and Lever	76
Feed shaft and conveyor	83-84-85
Gear case	81-82
Hitch	77
Main cylinder	78
Main Drive Shaft	86
P.T.O. Drive bearing and brackets	87
P.T.O. Shielded Drive	90
P.T.O. Telescoping Drive	88
Sides and Arch	73
Special Outboard Feed Shaft bearing	91
Upper cylinder	79
Telescoping Shaft and Clutch Disc	90

SIDES, AND ARCH #200



NO. 200 SPREADER

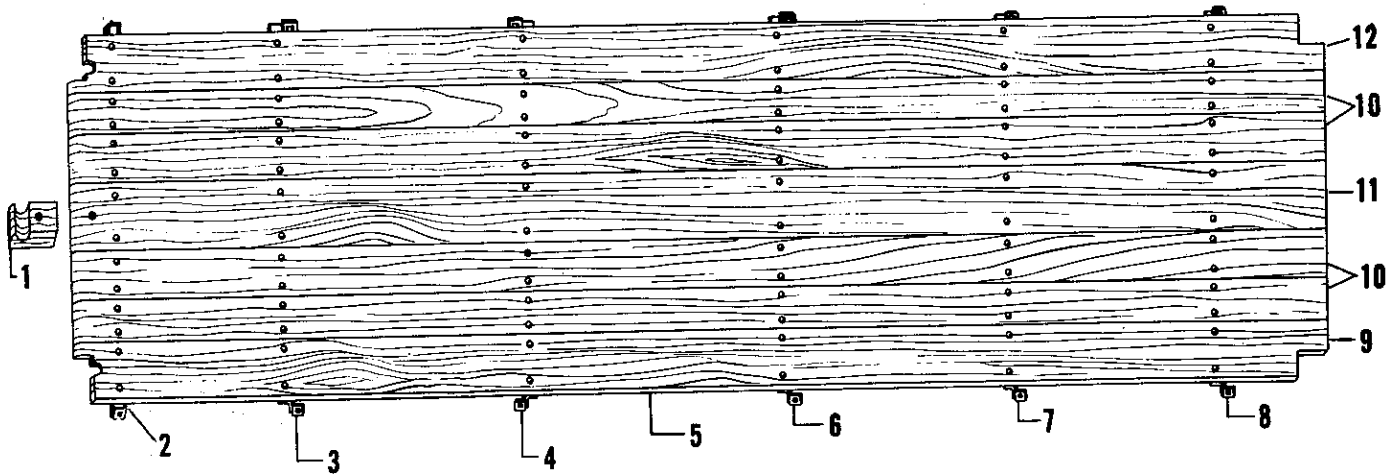
LOT 387 to 414

Ref.	Part No.	Description	Lot No.	Wt.Lbs.
1	W 74 SR	Top board, right side..... Rivet, truss head, 5/16 x 1-3/16"	387 to 414	15
2	W 76 SR	Center board, right side..... Rivet, truss head, 5/16 x 1-3/16"	387 to 414	12
3	W 78 SR	Bottom board, right side Rivet, truss head, 5/16 x 1-3/16"	387 to 414	14
4	W 78 SRA	Side complete, right, Order W 78 SRA 1	387 to 405	98
	W 78 SRA 1	Side complete, right	414 only	98
5	0923 SR	Flare board, left, Order 0923 SR-2	387 to 405	43
	0923 SR 1	Flare board, left, Order 0923 SR-2	414 only	43
	0923 SR 2	Flare board, left	---	---
		Machine screw, 5/16 x 1-1/2" (4 used)		
6	W 73 SR	Top board, left side..... Rivet, truss head, 5/16 x 1-3/16"	387 to 414	15
7	W 75 SR	Center board, left side..... Rivet, truss head, 5/16 x 1-3/16"	387 to 414	12
8	W 77 SR	Bottom board, left side Rivet, truss head, 5/16 x 1-3/16"	387 to 414	14
9	W 77 SRA	Side complete, left, Order W 77 SRA 1	387 to 405	98
	W 77 SRA 1	Side complete, left	414 only	98
10	K 2940	Bolt, special carriage, 1/2 x 1-1/8" (6 used).....	387 to 414	3 oz.
11	K 2941	Bolt, special carriage, 1/2 x 1-1/4" (2 used).....	387 to 414	3 oz.
12	K 2880	Washer, 1" O.D., 7/16" I.D., 1/16" thick (4 used)	387 to 414	1 oz.
13	0975 SRA	Distributor support plate, left	387 to 414	4-1/2
		Machine screw, 5/16 x 3/4" (2 used)		
		Bolt, machine, 3/8 x 1-1/2" (3 used)		
		Bolt, machine, 3/8 x 1-3/4"		
		Bolt, machine, 3/8 x 3/4" (5 used)		
14	0924 SR	Upper cylinder shield, left (Order 01424 SRA)	387 to 414	4
	01424 SRA	Upper cylinder shield, left	---	---
		Bolt, machine, 3/8 x 1" (3 used)		
15	0976 SRA	Distributor support plate, right	387 to 414	4-1/2
		Bolt, machine, 3/8 x 1-1/2" (3 used)		
		Bolt, machine, 3/8 x 1-3/4"		
		Bolt, machine, 3/8 x 3/4" (2 used)		
		Machine screw, 5/16 x 3/4" (5 used)		

SIDES, AND ARCH #200 (CON'T)

Ref.	Part No.	Description	Lot No.	Wt.Lbs.
16	0911 SR	Arch angle, 1-3/8" x 1 x 3/16" angle, 87" long	387 to 414	10
		Bolt, machine, 1/2 x 1-1/4" (4 used)		
17	0925 SR	Upper cylinder shield, right, Order 01423 SR	387 to 414	4
	01423 SR	Upper cylinder shield, right	-----	--
		Bolt, machine, 3/8" x 1" (3 used)		
18	0922 SR	Flare board, right, Order 0922 SR 2	387 to 405	43
	0922 SR 1	Flare board, right	414 only	43
	0922 SR 2	Flare board, right	-----	--
		Machine screw, 5/16 x 3/4" (10 used)		
		Machine screw, 5/16 x 1-1/2" (5 used)		
		Bolt, machine, 3/8 x 1-1/2"		
19	K 1923	New Idea 5" stencil	387 to 414	1 oz.

BOTTOM



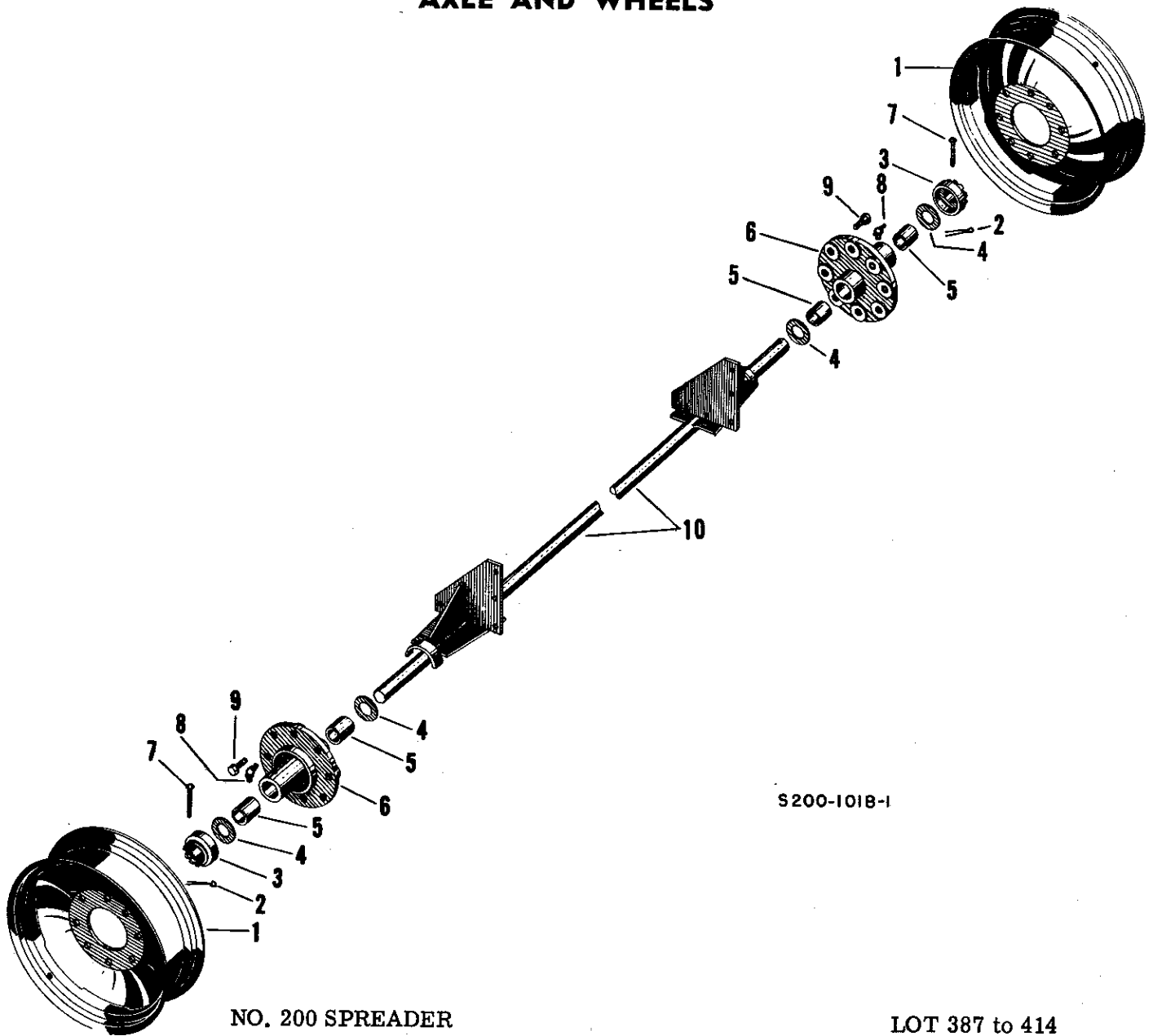
NO. 200 SPREADER

LOT 387 to 414

SI2-63B-1

Ref.	Part No.	Description	Lot No.	Wt.Lbs.
1	W 171	Center feed shaft bearing, 1-7/8 x 2-7/8 x 3-3/8" long (Order 200643)	387 to 414	1
	200643	Center feed shaft bearing	-----	-----
	K 2879	Washer, 7/8" O.D., 3/8" I.D., 3/64" thick	387 to 414	1 oz.
2	529 SA	Rear cross angle, with end brackets, 1-3/4 x 1-3/4 x 3/16" angle 40-5/8" long	387 to 414	6-1/4
		Rivet, oval head, 3/8 x 7/8" (14 used)		
3	974 SA	Fifth from front cross angle, with end brackets, 1-3/4 x 1-1/4 x 3/16" angle, 40-3/4" long	387 to 414	6-1/4
		Rivet, oval head, 3/8 x 7/8" (14 used)		
4	973 SA	Fourth from front cross angle with end brackets, 1-3/4 x 1-1/4 x 3/16" angle, 40-1/2" long	387 to 414	6-1/4
		Rivet, oval head, 3/8 x 7/8" (14 used)		
5	W 606 A	Bottom complete, Order W 606 A 2	387 to 405	139
	W 606 A 2	Bottom complete	414 only	139
6	972 SA	Third from front cross angle, with end brackets, 1-3/4 x 1-1/4 x 3/16" angle, 40-3/16" long	387 to 414	6
		Rivet, oval head, 3/8 x 7/8" (14 used)		
7	971 SA	Second from front cross angle, with end brackets, 1-3/4 x 1-1/4 x 3/16" angle, 39-7/8" long	387 to 414	6
		Rivet, oval head, 3/8 x 7/8" (14 used)		
8	970 SA	Front cross angle with end brackets, 1-3/4 x 1-1/4 x 3/16" angle, 39-5/8" long	387 to 414	6
		Rivet, oval head, 3/8 x 7/8" (14 used)		
9	W 606	Bottom board, right	387 to 414	13
		Rivet, W.B. head, 1/4 x 1-3/16" (12 used)		
10	W 155	Bottom board (4 used)	387 to 414	7
		Rivet, W.B. head, 1/4 x 1-3/16" (12 used)		
11	W 151	Bottom board, center	387 to 414	12
		Rivet, W.B. head, 1/4 x 1-3/16" (12 used)		
12	W 607	Bottom board left	387 to 414	13
		Rivet, W.B. head, 1/4 x 1-3/16" (12 used)		

AXLE AND WHEELS



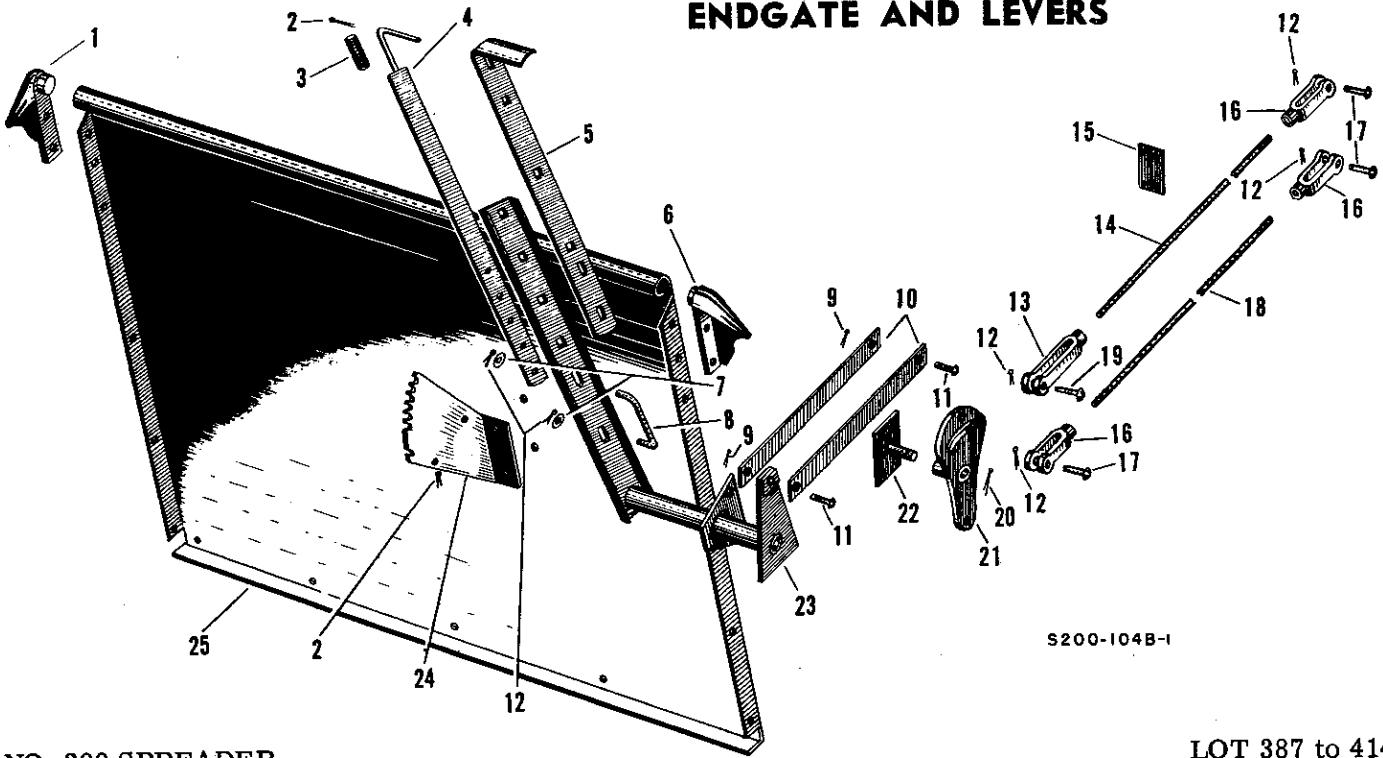
S200-101B-1

NO. 200 SPREADER

LOT 387 to 414

Ref.	Part No.	Description	Lot No.	Wt.Lbs.
1	K 3374	Disc wheel and rim assembly, 20" (2 used).....	387 to 414	44
	K 2598 A	Semi drop center disc wheel with flange ring, 20".....	392 to 414	34-1/2
	K 2599	Flange ring for K 2598 wheel.....	392 to 414	4-3/4
2	K 1081	Cotter pin, 3/16 x 1".....	387 to 414	1 oz.
3	L 488	Axle collar (2 used).....	387 to 414	1-1/4
4	K 1791	Washer, 3" O.D., 2-1/32" I.D., 3/32" thick (4 used).....	387 to 405	3 oz.
	K 3296	Washer, 3" O.D., 2-1/32" I.D., 1/16" thick (4 used).....	414 only	3 oz.
5	K 3212	Bearing, fiber, 2-1/32" I.D., 2-1/2" long (4 used).....	387 to 414	2 oz.
6	116 SRA	Wheel hub assembly with 2 - K 3212 bushing (2 used).....	387 to 414	25-1/4
7	1375 S	Axle pin, 1/2 x 3-1/2" oval head (2 used), Order M 953.....	387 to 392	1/4
	M 953	Axle pin, 1/2 x 3-1/2" oval head.....	397 to 414	1/4
8	K 1690	Grease fitting, 1/8" NPT, 67-1/2 degrees (2 used).....	387 to 405	
	K 623	Grease fitting, 1/8" NPT, 30 degrees (2 used).....	414 only	
9	1078 S	Hub bolt, 9/16 x 1-1/2".....	387 to 414	2 oz.
10	0868 SRA	Axle assembly.....	387 to 414	74
		Bolt, machine, 1/2 x 1-1/4" (4 used)		
		Bolt, machine, 3/8 x 1-1/4" (2 used)		
		Bolt, machine, 3/8 x 1" (4 used)		
		Bolt, carriage, 3/8 x 1-3/4" (4 used)		

ENDGATE AND LEVERS

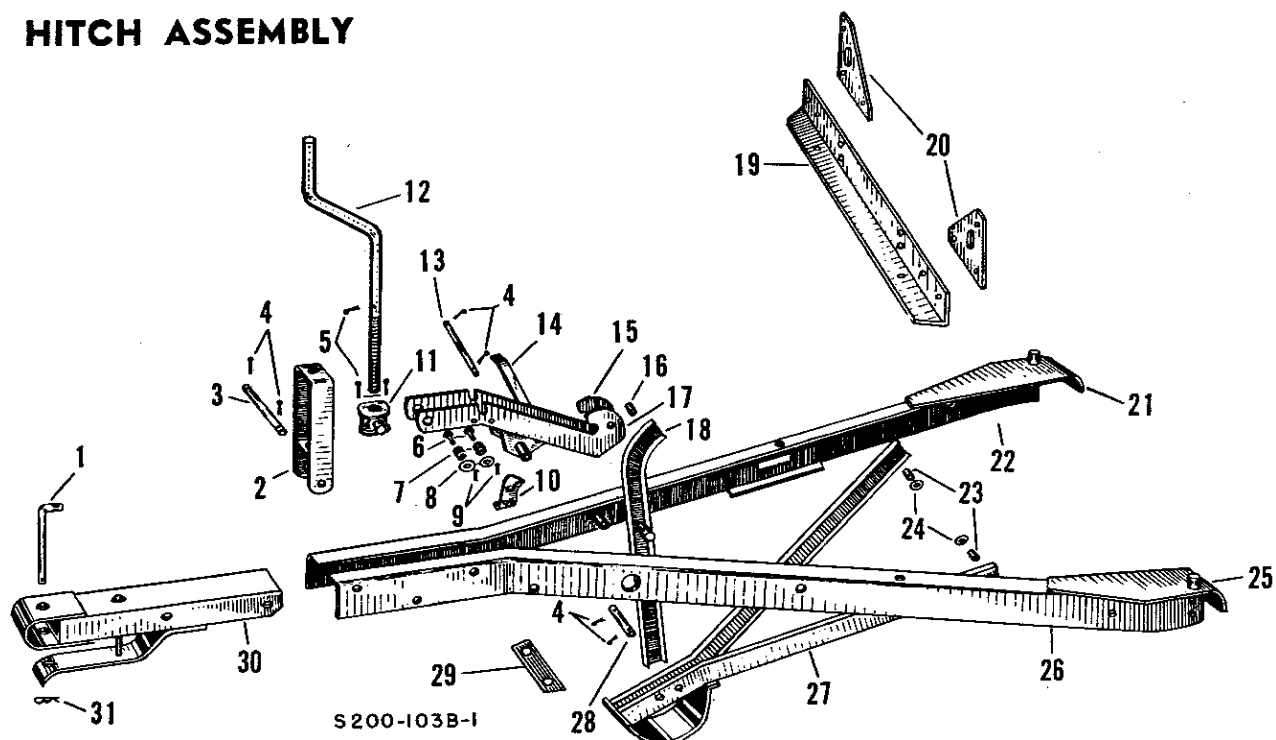


NO. 200 SPREADER

LOT 387 to 414

Ref.	Part No.	Description	Lot No.	Wt. Lbs.
1	62 SR	Front endgate corner, right	387 to 414	3
		Bolt, machine, 3/8 x 1" (2 used)		
2	K 1090	Cotter pin, 1/4 x 3/4" with 11/32" dia. hole in eye	387 to 414	1 oz.
3	1509 S	Spring compression, 5/8" O.D., 2-1/2" long	387 to 414	2 oz.
4	1033 SA	Lever control bar with handle, 1/8 x 7/8" flat, 30-1/8" long	387 to 414	1-1/2
5	1629 S	Control lever, 1/4 x 1-1/2" flat, 27-1/8" long	387 to 414	2-1/2
		Bolt, carriage, 3/8 x 7/8" (2 used)		
6	61 SR	Front endgate corner, left	387 to 414	3
		Bolt, machine, 3/8 x 1" (2 used)		
7	K 814	Washer, 1" O.D., 7/16" I.D., 1/16" thick Order K 2880	387 only	1 oz.
	K 2880	Washer, 1" O.D., 7/16" I.D., 1/16" thick electro galvanized	392 to 414	1 oz.
8	1735 S	Sector lock rod, 3/8" dia., 10-3/8" long	387 to 414	1/4
9	K 1951	Cotter pin, 1/8 x 1/2"	387 to 414	1 oz.
10	0885 SR	Tie strap for control rod, 3/16 x 1" flat 13" long (2 used)	387 to 414	3/4
11	2738 P	Rivet for tie straps, 3/8 x 1-1/8" drilled	387 to 414	3 oz.
12	K 1071	Cotter pin, 1/8 x 3/4"	387 to 414	1 oz.
13	85 SR	Yoke for control rod, long	387 to 414	3/4
14	0872 SR	Clutch control rod, 7/16" dia., 119-1/2" long	387 to 414	8
15	0946 SR	Feed rod guide, 3/16 x 3-1/8" flat, 4-1/2" long	387 to 414	1/2
16	84 SR	Yoke for control rod, short	387 to 414	1/2
17	K 2540	Rivet for short yokes, 3/8 x 1-1/4" drilled	387 to 414	2 oz.
18	0873 SR	Feed adjusting rod, 7/16" dia., 100" long	387 to 414	6
19	2661 P	Rivet for long yoke, 3/8 x 1-1/2" drilled	387 to 414	2 oz.
20	K 1072	Cotter pin, 1/8 x 1"	387 to 414	1 oz.
21	108 SR	Control pivot arm	387 to 414	2
22	0883 SRA	Control arm pivot bracket	387 to 414	1-1/2
		Bolt, machine, 3/8 x 1-3/4" (2 used)		
		Bolt, carriage, 3/8 x 1-1/2" (2 used)		
23	0930 SRA	Control lever assembly	387 to 414	9
		Bolt, carriage, 3/8 x 1-1/2"		
24	0896 SR	Lever sector	387 to 397	4
	01159 SR	Lever sector	405 to 414	4
		Bolt, machine, 3/8 x 3/4" (2 used)		
25	0919 SR	Front endgate	387 to 414	46
		Bolt, carriage, 3/8 x 1-1/4" (4 used)		
		Bolt, machine, 3/8 x 1-1/2"		
		Bolt, machine, 3/8 x 1-3/4"		

HITCH ASSEMBLY



NO. 200 SPREADER

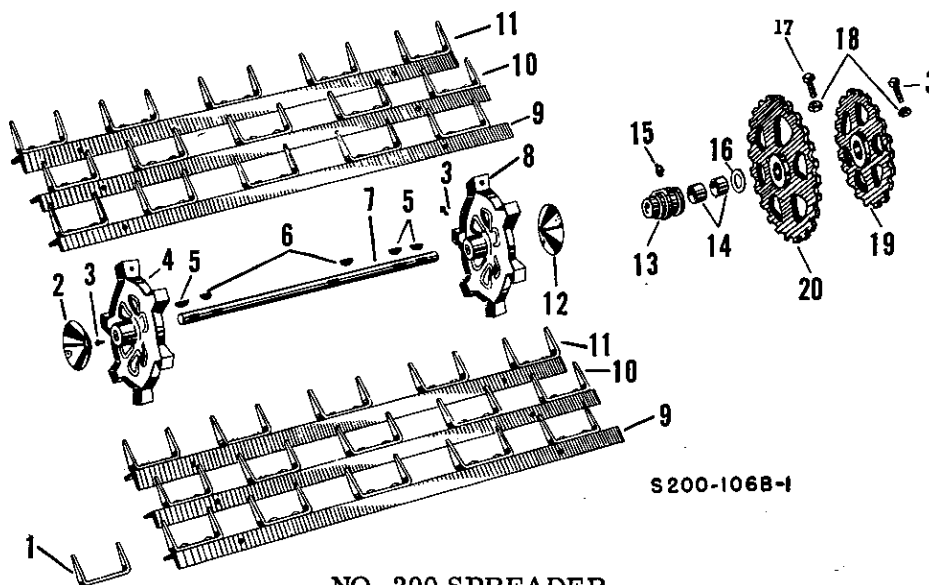
LOT 387 to 414

Ref.	Part No.	Description	Lot No.	Wt.Lbs.
1	550 P 1	Hitch pin, 3/4" rd., 7-3/16" long.....	387 to 414	1
2	995 SA	Guide for adjusting crank assembly.....	387 to 414	5-1/4
3	0396 SR	Adjusting guide pin, 7/8" rd. x 4-15/16" long.....	387 to 414	1
4	K 1082	Cotter pin, 3/16 x 1-1/4" (6 used).....	387 to 414	1 oz.
5	K 1094	Cotter pin, 1/4 x 1-1/2" (3 used).....	387 to 414	1 oz.
6	1306 S	Pin for sliding latch, 1/4" rd., 1-1/4" long (2 used).....	387 to 414	1 oz.
7	1307 S	Compression spring, 1/2" O.D., 15/16" long, 5 coils (2 used).....	387 to 414	1 oz.
8	K 807	Washer, 3/4" O.D., x 5/16" I.D., 3/64" thick (2 used) Order K 2880	387 only	1 oz.
	K 2880	Washer, 3/4" O.D., x 5/16" I.D., 3/64" thick, electro galvanized...	392 to 414	1 oz.
9	K 1066	Cotter pin, 3/32 x 1/2" (2 used).....	387 to 414	1 oz.
10	1305 S	Latch for sliding arm.....	387 to 414	1/4
11	L 487	Nut for adjusting crank.....	387 to 414	1
12	0391 SR	Adjusting crank, 7/8" rd., x 27-1/2" long.....	387 to 414	3-1/4
13	0969 SR	Rod for adjusting arm, 7/8" dia., 15-7/8" long.....	387 to 414	2
14	999 S	Lock on adjusting arm, 3/16 x 1" flat, 10-1/2" long.....	387 to 414	1/2
15	0968 SRA	Adjusting arm, right (Order 0968 SRA-1).....		
	0968 SRA 1	Adjusting arm, right.....	387 to 414	4-1/2
16	1001 S	Spacer, 3/8" I.D., 7/8" long.....	387 to 414	1 oz.
17	0392 SRA	Adjusting arm, left (Order 200234).....	387 to 414	4-1/2
	0392 SRA 1	Adjusting arm, right (Order 200234).....		
	200234	Adjusting arm, right.....		
18	1004 SA	Sliding arm, 1-1/2 x 21/32" I bar, 24-1/4" long.....	387 to 414	2-1/2
19	0929 SR	Front cross angle, 3 x 2 x 3/16" angle, 39-13/16" long (Order 0929 SR 2).....		
	0929 SR 2	Front cross angle.....		8
20	0500 SR 1	Front end reinforcing plate, (2 used).....	387 to 414	3/4
21	A 941 S1	Conveyor chain slide with guide, right, 1/8 x 4-1/2" flat, 17" long..	387 to 414	2-3/4
22	0891 SRA	Hitch channel, with conveyor slide, right.....	387 to 392	28
		Bolt, machine, 1/2 x 1-1/4" (2 used)		
	01109 SRA	Hitch channel, with conveyor slide, right.....	397 to 414	28
		Bolt, machine, 1/2 x 1-1/4" (2 used)		
23	1009 S	Bushing, 3/4" O.D., 5/8" long.....	387 to 414	2 oz.
24	K 837	Washer, 1-3/8" O.D., 9/16" I.D., 1/16" thick (2 used) Order K 2881	387 only	1 oz.
	K 2881	Washer, 1-3/8" O.D., x 9/16" I.D., 1/16" thick, electro galvanized	392 to 414	1 oz.
25	A 942 S1	Conveyor chain slide with guide, left, 1/8 x 4-1/2" flat, 17" long....	387 to 414	2-3/4
26	0892 SRA	Hitch channel, with conveyor slide, left.....	387 to 392	28
		Bolt, machine, 1/2 x 1-1/4" (2 used)		
	01110 SRA	Hitch channel, with conveyor slide, left.....	397 to 414	28
		Bolt, machine, 1/2 x 1-1/4" (2 used)		
27	0485 SRA	Shoe with brace bars.....	387 to 414	14-1/2

HITCH ASSEMBLY (CON'T)

Ref.	Part No.	Description	Lot No.	Wt.Lbs.
28	1006 S	Pin in shoe assembly, 3/4" rd., 2-11/16" long.....	387 to 414	1/4
29	0936 SR	Tie strap, 3/16 x 1-1/2 x 8-1/2".....	387 to 392	1
		Bolt, machine, 7/16 x 1" (2 used)		
	0498 SR	Tie strap, 1/4 x 1-1/4" flat, 5-3/8" long.....	397 to 414	1
		Bolt, machine, 7/16" x 1" (2 used)		
30	0186 SRA	Hitch tube assembly.....	387 to 414	9
		Bolt, machine, 5/8 x 4-1/4" (2 used)		
31	2629 P	Pin clip.....	387 to 414	2 oz.

MAIN CYLINDER

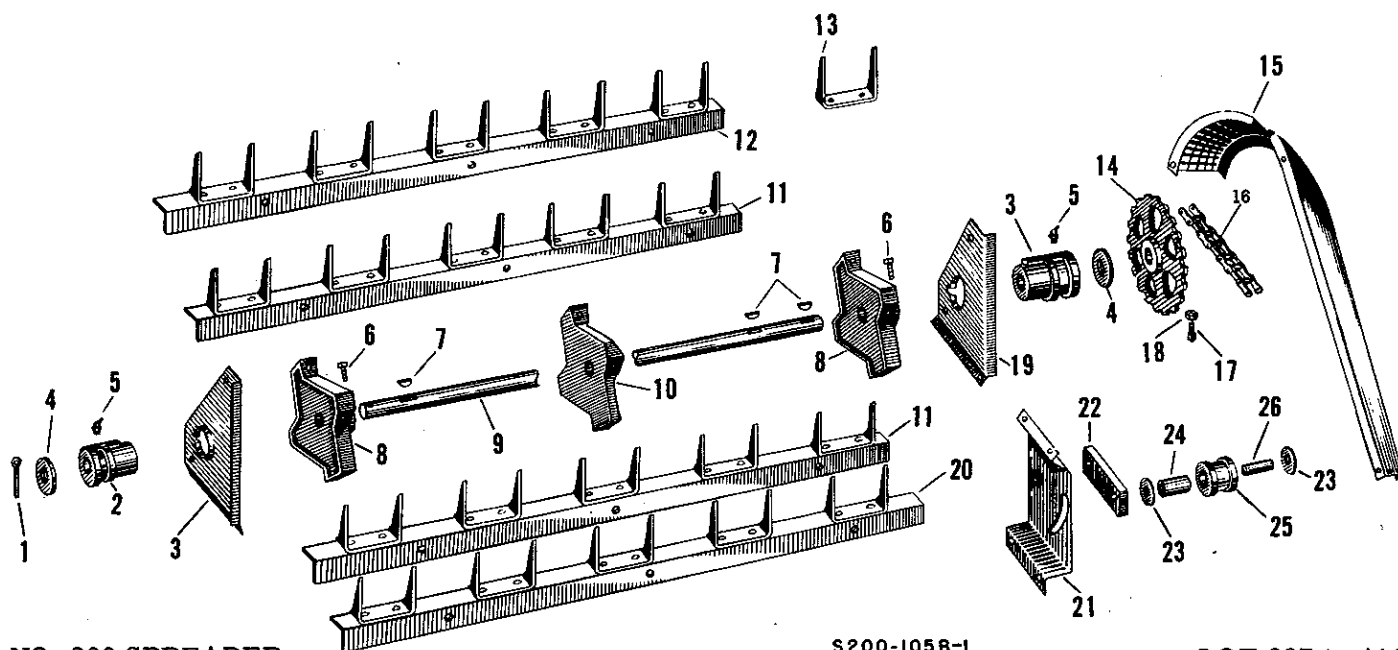


NO. 200 SPREADER

LOT 387 to 414

Ref.	Part No.	Description	Lot No.	Wt.Lbs.
1	1527 S	Cylinder bar tooth	387 to 414	1/2
		Rivet, oval head, 5/16 x 3/4" (2 used)		
2	0697 SR	Anti-wrap shield, left	387 to 414	3/4
		Bolt, machine, 5/16 x 1-1/2" (2 used)		
3	K 1185	Set screw, cup point, 1/2 x 1" (3 used)	387 to 414	2 oz.
4	58 SR	Main cylinder head, left, 1-1/4" bore	387 to 414	11-1/4
5	K 587	Key, #26 woodruff, 3/16" thick, 2-1/8" long	387 to 414	1 oz.
6	K 586	Key, #19 woodruff, 3/16" thick, 1-1/4" long (4 used)	387 to 414	1 oz.
7	0864 SR	Main cylinder shaft, 1-1/4" dia., 43-5/8" long	387 to 414	10
8	35 SR-1	Main cylinder head, right, 1-1/4" bore	387 to 414	11-1/4
9	1038 SA	Cylinder bar with teeth, 1-3/8 x 1-3/8 x 5/32" angle, 38-5/8" long (2 used)	387 to 414	7
		Bolt, machine, 3/8 x 1" (2 used)		
10	1036 SA	Cylinder bar with teeth, 1-3/8 x 1-3/8 x 5/32" angle, 38-5/8" long (2 used)	387 to 414	7
		Bolt, machine, 3/8 x 1" (2 used)		
11	1037 SA	Cylinder bar with teeth, 1-3/8 x 1-3/8 x 5/32" angle, 38-5/8" long (2 used)	387 to 414	7
		Bolt, machine, 3/8 x 1" (2 used)		
12	0187 SR-1	Anti-wrap shield, right	387 to 414	3/4
		Bolt, machine, 5/16 x 1-1/2" (2 used)		
13	68 SRA	Bearing assembly, main cylinder	387 to 414	1
14	K 2918	Bearing fiber, 1-7/16" O.D., 1-1/4" I.D., 1-1/4" long (2 used)	387 to 414	1 oz.
15	K 624	Grease fitting, 1/8" NPT, 90 degree	387 to 414	1 oz.
16	K 1895	Washer, 2" O.D., 1-9/32" I.D., 3/64" thick	387 to 414	1 oz.
17	K 1189	Set screw, cup point, 1/2 x 1-1/4"	387 to 414	2 oz.
18	K 579	Jam, nut, 3/8" hex	387 to 414	1 oz.
19	117 SR	20 tooth sprocket, #2050 chain, 1-1/4" bore	387 to 414	5
20	113 SR	26 tooth sprocket, #2050 chain, 1-1/4" bore Order 113 SR 2	387 only	6-3/4
	113 SR 1	26 tooth sprocket, #2050 chain, 1-1/4" bore Order 113 SR 2	392 to 414	6-3/4
	113 SR 2	26 tooth sprocket, #2050 chain, 1-1/4" bore	---	---

UPPER CYLINDER



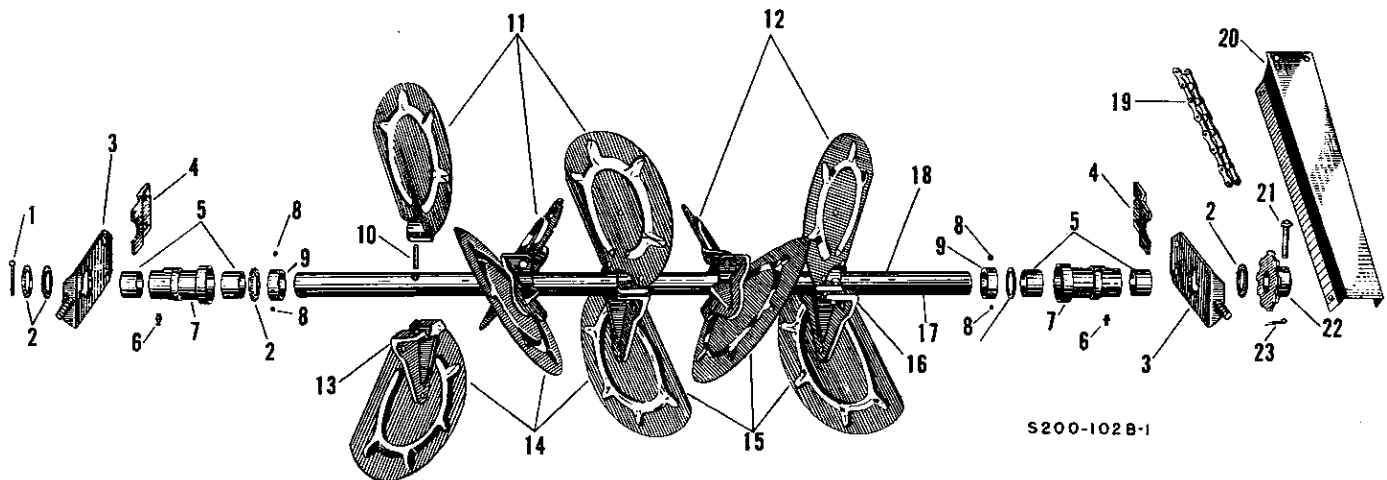
NO. 200 SPREADER

S200-1058-1

LOT 387 to 414

Ref.	Part No.	Description	Lot No.	Wt. Lbs.
1	K 1107	Cotter pin, 5/16 x 1-1/4"	387 to 414	1 oz.
2	L 363	Upper cylinder bearing, 1" bore	387 to 414	1-1/4
3	0917 SR	Upper cylinder bearing bracket, left	387 to 414	3
		Bolt, machine, 3/8 x 1" (2 used)		
		Bolt, machine, 1/2 x 1-1/4" (2 used)		
4	K 872	Washer, 1-3/4" O.D., 1-1/32" I.D., 1/16 thick	387 to 414	1 oz.
5	K 615	Grease fitting, 1/8" NPT, 45 degree (2 used)	387 to 414	1 oz.
6	K 1185	Set screw, cup point, 1/2 x 1"	387 to 414	1 oz.
7	K 589	Key, #13 woodruff, 3/16" thick, 1" long	387 to 414	1 oz.
8	48 SR	Upper cylinder head, 1" bore	387 to 414	6
9	0866 SR	Upper cylinder shaft, 1" dia., 51-1/2" long	387 to 414	8
10	74 SR	Upper cylinder head, center, 1-1/16" bore (Order 201694)		4
	201694	Upper cylinder head, center		
11	0908 SRA	Upper cylinder bar assembly, with teeth (2 used)	387 to 414	7-1/4
		Bolt, machine, 3/8 x 1" (3 used)		
12	0909 SRA	Upper cylinder bar assembly, with teeth	387 to 414	7-1/4
		Bolt, machine, 3/8 x 1" (3 used)		
13	1527 S	Cylinder bar tooth	387 to 414	3/4
		Rivet, button head, 5/16 x 3/4"		
14	114 SR	19 tooth, upper cylinder sprocket, for #2050 chain 1" bore	387 to 414	3-1/2
15	0927 SR	Upper cylinder drive chain shield	387 to 414	1-1/2
		Machine screw 5/16 x 3/4" (3 used)		
16	0933 SRA	Upper cylinder drive chain assembly #2050 57 total links	387 to 414	2-1/2
	K 2568	Roller link, 1-1/4" Pitch #2050	387 to 414	1 oz.
	K 2569 A	Connector link, 1-1/4" pitch #2050	387 to 414	1 oz.
	K 2570	Offset link, 1-1/4" pitch #2050	387 to 414	1 oz.
	K 3732	Spring clip, 1-1/4" extended pitch chain #2050	387 to 414	1 oz.
17	K 1189	Set screw, cup point, 1/2 x 1-1/4"	387 to 414	1 oz.
18	K 579	Jam nut, 1/2"	387 to 414	1 oz.
19	0918 SR	Upper cylinder bearing bracket, right	387 to 414	3
		Bolt, machine, 3/8 x 1" (2 used)		
		Bolt, machine, 1/2 x 1-1/4" (2 used)		
20	0910 SRA	Upper cylinder bar assembly, with teeth	387 to 414	7-1/4
		Bolt, machine, 3/8 x 1" (3 used)		
21	0881 SRA	Upper cylinder chain tightener bracket assembly	387 to 414	2-3/4
		Bolt, carriage, 3/8 x 1-1/2" (2 used)		
		Bolt, machine, 3/8 x 1" (2 used)		
22	0874 SR	Chain idler pivot arm, 5/8 x 2" flat, 5-1/2" long, Order 0698 SR	387 only	2
	0698 SR	Chain idler pivot arm	392 to 414	2
23	K 847	Washer, 1-1/2" O.D., 21/32" I.D., 3/32" thick (2 used)	387 to 414	1 oz.
24	K 3214	Bushing, fiber, 1" O.D., 29/32" I.D., 1-1/2" long	387 to 414	2 oz.
25	118 SRA	Idler roller assembly	387 to 414	1-1/4
26	K 1610	Spacer for idler roller, 7/8" O.D., 5/8" I.D., 1-9/16" long. Order K 3626 ..	387 only	3 oz.
	K 3626	Spacer, 7/8" O.D., 1-13/16" long	392 to 414	2 oz.

DISTRIBUTER

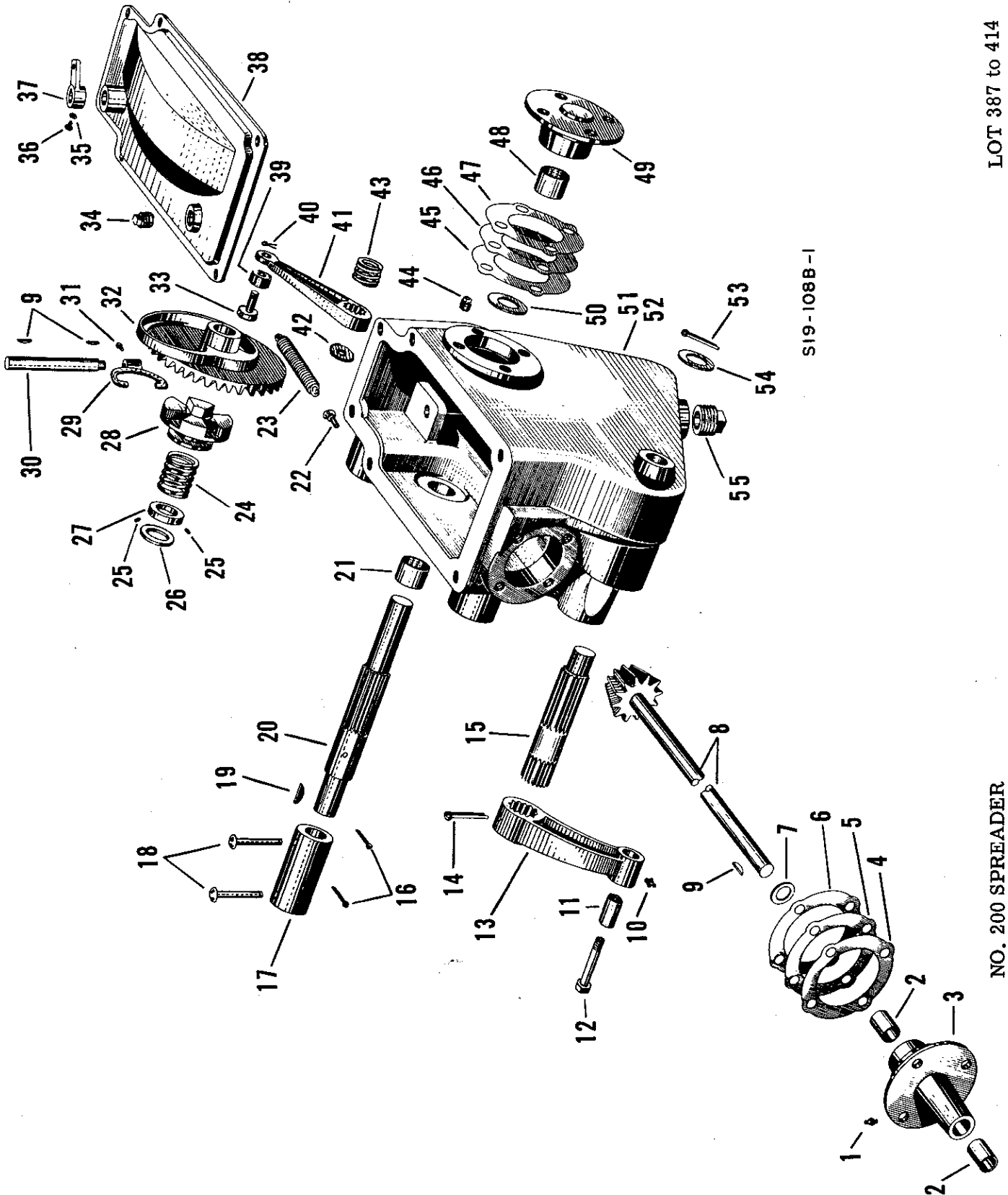


NO. 200 SPREADER

LOT 387 to 414

Ref.	Part No.	Description	Lot No.	Wt.Lbs.
1	K 1096	Cotter pin, 1/4 x 2"	387 to 414	1 oz.
2	K 1786	Washer, 2-1/2" O.D., 1-21/32" I.D., 3/32" thick	387 to 414	2 oz.
3	0880 SRA	Distributor bearing plate (2 used)	387 to 414	1-1/4
		Bolt, machine, 3/8 x 1" (2 used)		
4	0938 SR	Bearing keeper plate (2 used)	387 to 414	1/4
		Bolt, machine, 3/8 x 1" (2 used)		
5	K 1841	Bushing fiber, 1-7/8" O.D., 1-5/8" I.D., 1-1/4" long (4 used)	387 to 414	1 oz.
6	K 626	Grease fitting, 1/4" straight	387 to 414	1 oz.
7	72 SRA	Distributor bearing assembly with K 1841 Bushing	387 to 414	2
8	K 1349	Set screw for lock collar, 5/16 x 3/8"	387 to 414	1 oz.
9	73 SR	Distributor shaft lock collar	387 to 414	1/2
	155 SRA	Wiper arm assembly (right)	---	---
	156 SRA	Wiper arm assembly (left)	---	---
10	0604 SR	Drive pin for distributor paddle, 3/8 x 2-5/16" (10 used)	387 to 414	1 oz.
11	0571 SRA-1	Distributor paddle with casting, left (5 used)	387 to 414	5-1/4
		Bolt, machine, 3/8 x 1-1/2"		
12	0572 SRA-1	Distributor paddle with casting, right (5 used)	387 to 414	5-1/4
		Bolt, machine, 3/8 x 1-1/2"		
13	71 SR	Distributor paddle, casting left (5 used)	387 to 414	2-3/4
14	0571 SR-1	Distributor paddle, left (5 used)	387 to 414	2-1/2
		Rivet, 3/8 x 1" button head		
15	0572 SR-1	Distributor paddle, right (5 used)	387 to 414	2-1/2
	K 4416	Bolt, machine 3/8 x 1-1/2" hardened for distributor paddle	---	---
		Rivet, 3/8 x 1" button head		
16	70 SR	Distributor paddle, casting, right (5 used)	387 to 414	2-3/4
17	0935 SR	Distributor shaft, 1-5/8" dia., 48" long	387 to 414	4-1/2
18	0935 SRA	Distributor complete	387 to 414	73-1/2
19	0932 SRA	Distributor drive chain, #2050, 52 links total	387 to 414	5
	K 2568	Roller link, No.2050	387 to 414	2 oz.
	K 2569 A	Connector link, No.2050	387 to 414	2 oz.
	K 2570	Offset link No.2050	387 to 414	2 oz.
20	0926 SR	Distributor drive chain shield Order 0978 SR	387 only	3/4
	0978 SR	Distributor drive chain shield	392 to 414	
21	593 P	Drilled rivet, 3/8 x 2-5/8"	387 to 414	2 oz.
22	115 SR	9 tooth sprocket, distributor, No.2050 chain 1-39/64" bore Order 115 SR 1	387 to 414	2-1/2
	115 SR 1	9 tooth sprocket, distributor, #2050 chain, 1-39/64" bore	---	---
23	K 1071	Cotter pin, 1/8 x 3/4"	387 to 414	1 oz.

GEAR CASE



S19-108B-1

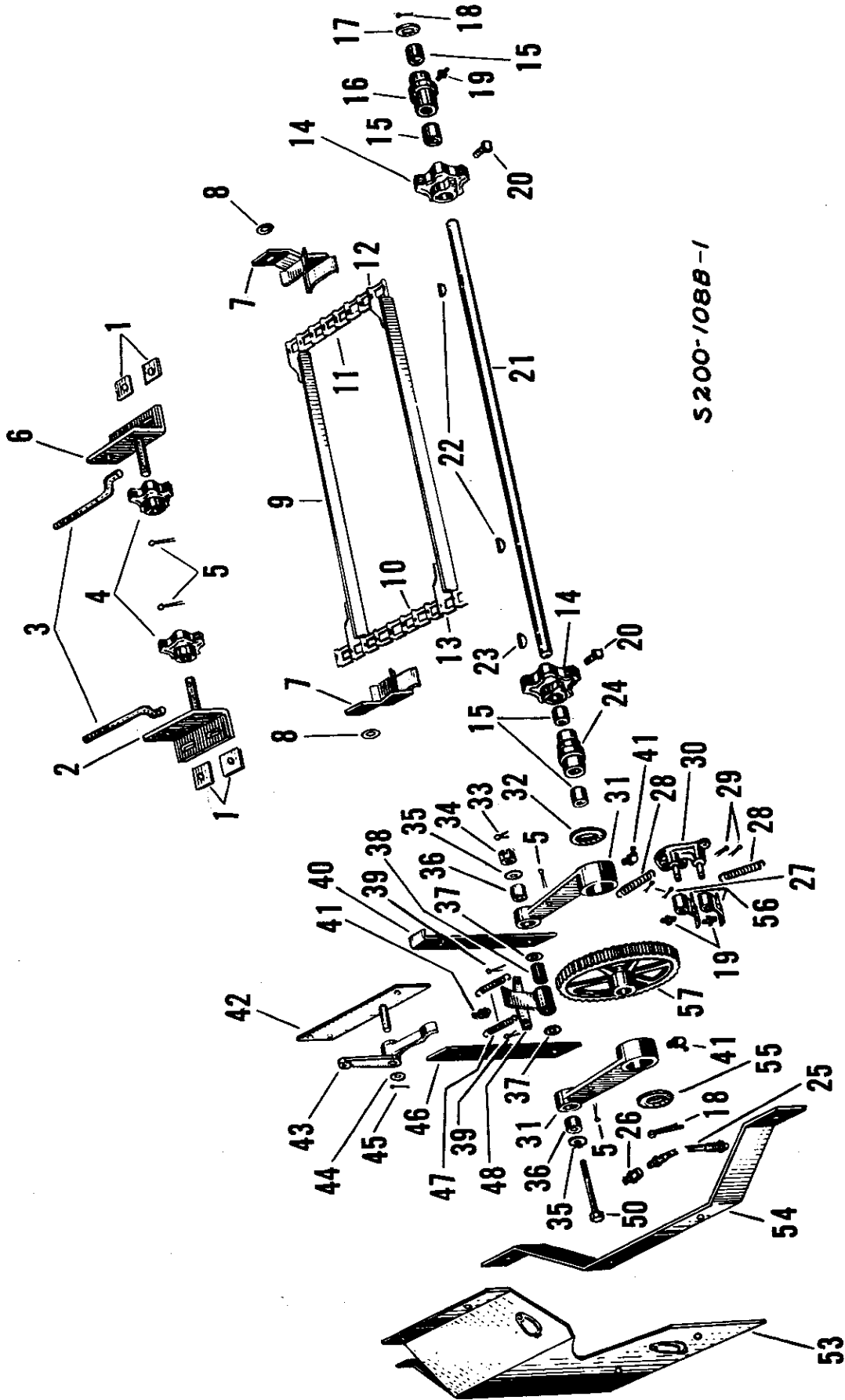
LOT 387 to 414

NO. 200 SPREADER

GEAR CASE (CON'T)

Ref.	Part No.	Description	Lot No.	Wt.Lbs.
1	K 626	Grease fitting, 1/4" pipe thread (2 used)	387 to 414	1 oz.
2	K 1867	Bushings - bronze steel backed, 1-1/4" O.D., 1-1/8" I.D., 1-1/4" long (2 used)	387 to 414	1/4
3	92 SRA 200491	Bearing cap for pinion shaft with bushings K 1867 (Order 200491)	---	3-1/4
		Pinion shaft and cap assembly	---	
		Bolt, machine, 3/8 x 1" less nuts (4 used)		
4	K 3116	Shim, 3-3/4" O.D., 3-1/32" I.D., .005" thick.....	387 to 414	1 oz.
5	K 3115	Shim, 3-3/4" O.D., 3-1/32" I.D., .007" thick.....	387 to 414	1 oz.
6	K 3114	Shim, 3-3/4" O.D., 3-1/32" I.D., .020" thick.....	387 to 414	1 oz.
7	K 1777	Washer, 2" O.D., 1-5/32" I.D., 1/16" thick.....	387 to 414	2 oz.
8	0766 SRA	13 tooth, bevel pinion and shaft.....	387 to 414	7
9	K 589	Key, #13 Woodruff, 3/16 x 1" (3 used)	387 to 414	1 oz.
10	K 626	Grease fitting, 1/4" pipe thread.....	387 to 414	1 oz.
11	0780 SR	Bushing, 3/4" O.D., 17/32" I.D., 1-3/4" long	387 to 414	2 oz.
12	K 3133	Bolt, machine, 1/2 x 2-3/4" hex. hd. hardened.....	387 to 414	1/4
13	96 SR	Feed drive arm.....	387 to 414	2
14	K 2074	Cotter pin, 1/4 x 2-3/4".....	387 to 405	1 oz.
	K 1097	Cotter pin, 1/4 x 2-1/4".....	414 only	1 oz.
15	0771 SR-3	Feed arm shaft, 1-1/4" rd. x 6-7/8", long, 19 tooth spline	387 to 414	4-3/4
16	K 1071	Cotter pin, 1/8 x 3/4" (2 used)	387 to 414	1 oz.
17	0699 SR	Coupling for main cylinder shaft, 2-1/4" O.D., 1-1/4" I.D., 4-3/4" long (Order 200071).....	---	
	200071	Coupling for main cylinder shaft, 2-1/4" O.D., 1-1/4" I.D., 4-3/4" long.....	---	
18	K 1864	Rivet, for coupling, drilled, 3/8 x 2-1/2" (2 used).....	387 to 414	2 oz.
19	K 587	Key, #26 Woodruff, 3/16 x 2-1/8".....	387 to 414	1 oz.
20	0768 SR	Main cross shaft for gear case, Order 0768 SR1.....	387 to 392	2-1/2
	0768 SR 1	Main cross shaft for gear case	397 to 414	2-1/2
21	K 3108	Bushings - bronze steel backed, 1-5/8" O.D., 1-1/2" I.D., 2" long.....	387 to 414	1/4
22	K 3112	Thumb, screw, 5/16 x 1/2" drilled, 1/8" hole	387 to 414	2 oz.
23	246 LS	Extension spring for cam follower arm, 38 coils, 4-1/2" long, Order K4023	387 to 392	2 oz.
	K 3780	Extension spring for cam follower arm, 3/4" O.D., 4-5/8" long, 34 coils, Order K 4023.....	397 only	2 oz.
	K 4023	Extension spring for cam follower arm, 3/4" O.D. x 4-5/8" long, 34 coils....	405 to 414	
24	K 3109	Compression spring, 1-5/8" I.D., 2-1/2" long, 5 coils.....	387 to 414	1/4
25	K 2142	Set screw, Allen head, 1/4 x 3/8" (2 used)	387 to 414	1 oz.
26	K 3733	Washer, 2-1/4" O.D., 1-17/32" I.D., 1/16" thick.....	397 to 414	2 oz.
27	0769 SR	Set collar for clutch.....	387 to 414	2-1/2
28	93 SR	Clutch jaw sliding half.....	387 to 414	2-1/2
29	94 SR	Clutch shifter fork.....	387 to 414	2
30	0770 SR	Clutch throwout shaft, 3/4" O.D., 7-5/8" long.....	387 to 414	2-1/2
31	K 1729	Set screw for shifter fork, 5/16 x 3/8" hollow hd.....	387 to 414	1/4
32	76 SR	38 tooth, bevel gear and feed cam (Order 200461)	---	
	200461	38 tooth, bevel gear and feed cam	---	
33	0772 SR	Pin for cam roller, 1-13/16" x 3/4" drilled, Order 202164	---	
	202164	Pin for cam roller	---	
34	K 718	Pipe plug, 1/2".....	387 to 414	1 oz.
35	K 578	3/8" hex. jam nut.....	387 to 414	1 oz.
36	K 1158	Set screw, 3/8 x 3/4" reg. sq. hd.....	387 to 414	1 oz.
37	95 SR	Clutch shifter arm.....	387 to 414	1/2
38	98 SR	Cover for gear case.....	387 to 414	7
	200345	Cover for gear case	---	
39	0773 SR	Cam roller, 1-3/8" O.D., x 3/4" I.D., heat treated, Order 97 SRA 1.....	387 to 397	1/4
	01148 SR	Cam roller.....	405 to 414	
40	K 1082	Cotter pin, 3/16 x 1-1/4"	387 to 414	1 oz.
41	97 SRA	Cam follower arm with roller and pin, Order 97 SRA 1.....	387 to 397	2
	97 SRA 1	Cam follower arm with roller and pin	405 to 414	
42	K 1780	Washer, 2" O.D., 1-9/32" I.D., 3/32" thick.....	392 to 414	1 oz.
43	K 3111	Spring compression, 1-5/8" O.D., 1-5/8" long, 3 coils	387 to 414	2 oz.
44	K 1336	Pipe plug, 1/8".....	387 to 414	1 oz.
45	K 1814	Shim, 3-1/2" O.D., 2-25/32" I.D., .005" thick, use as required.....	387 to 414	1 oz.
46	K 1815	Shim, 3-1/2" O.D., 2-25/32" I.D., .007" thick, use as required.....	387 to 414	1 oz.
47	K 1816	Shim, 3-1/2" O.D., 2-25/32" I.D., .020" thick, use as required.....	387 to 414	1 oz.
48	K 1614	Bushings, steel backed bronze, 1-3/8" O.D., 1-1/4" I.D., 1-1/2" long.....	387 to 414	1/4
49	91 SRA	Bearing cap for driven shaft with bushing	387 to 414	5
		Bolt, machine, 3/8 x 1" less nuts (4 used)		
50	K 1781	Washer, 2-3/8" O.D., x 1-9/32" I.D., x 1/16" thick.....	387 to 414	1 oz.
51	90 SRA	Gear case assembly, Order 90 SRA 1.....	387 only	41
		Bolt, machine, 5/8 x 1-1/4" (4 used)		
	90 SRA 1	Gear case assembly.....	392 to 414	41
52	A 90 SRA-2	Assembled gear case complete	387 only	87
53	K 1073	Cotter pin, 1/8 x 1-1/4".....	387 to 414	1 oz.
54	K 3110	Washer, 1-5/8" O.D., 31/32" I.D., 1/16" thick	387 to 414	2 oz.
55	K 2224	Pipe plug, 1".....	387 to 414	2 oz.

FEED SHAFT AND CONVEYOR

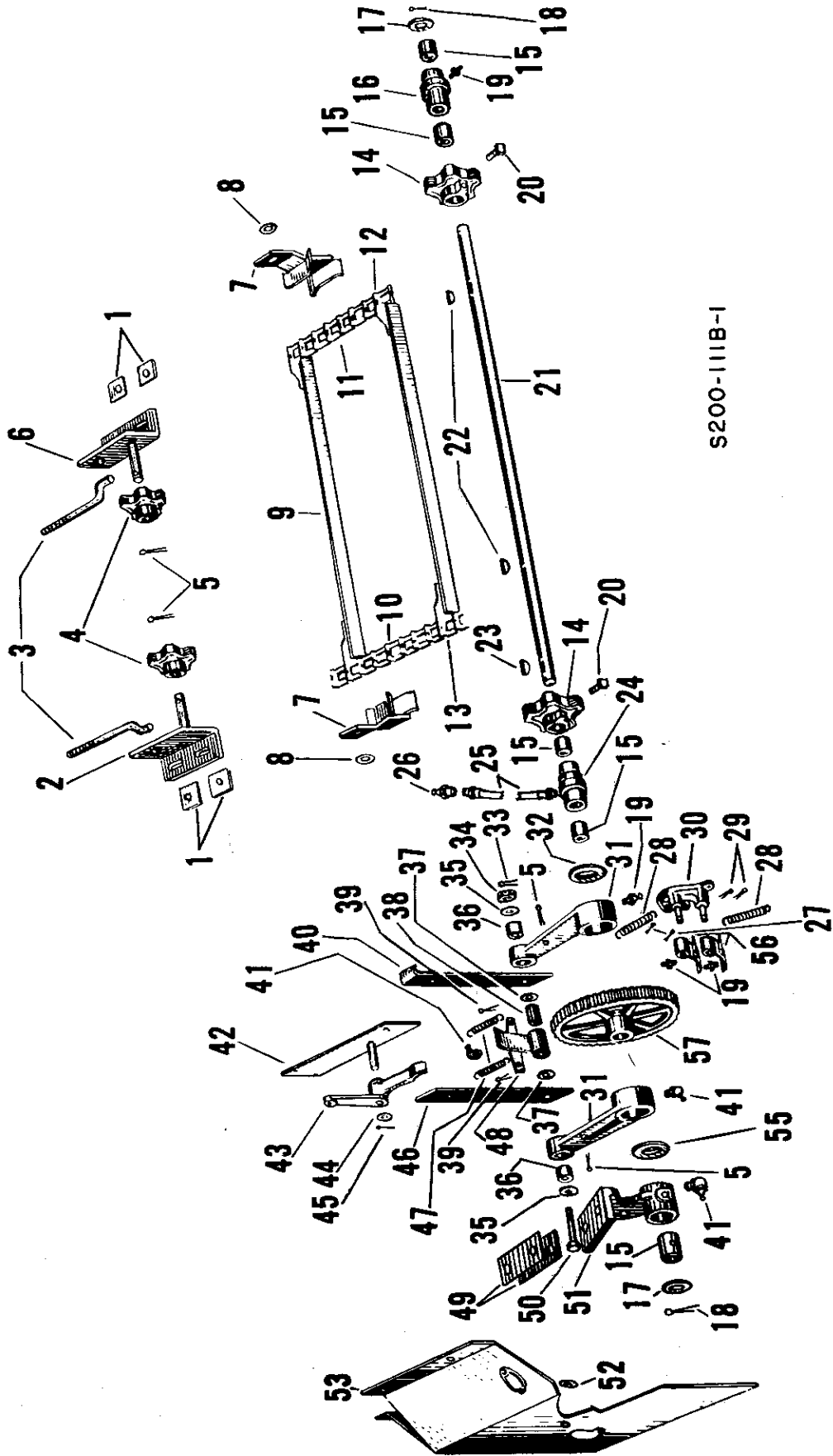


S200-1088-1

LOT 387 only

NO. 200 SPREADER

FEED SHAFT AND CONVEYOR (CON'T)



S200-111B-1

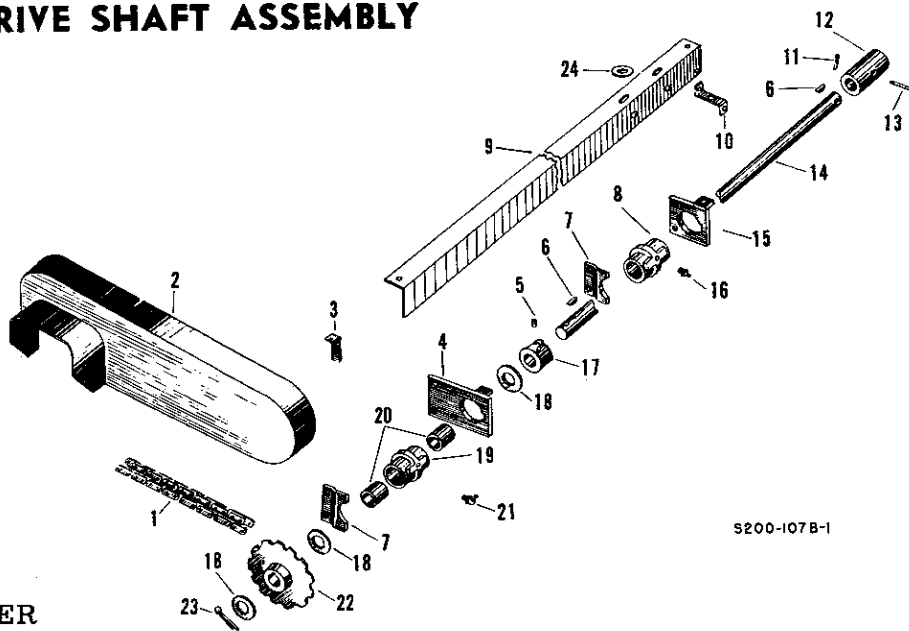
LOT 392 to 414

NO. 200 SPREADER

FEED SHAFT AND CONVEYOR (CON'T)

Ref.	Part No.	Description	Lot No.	Wt. Lbs.
1	0567 SR	Clamp strap for conveyor tightener, 3/16 x 1" flat, 1-1/2" long (4 used)	387 to 414	2 oz.
2	0562 SRA	Front conveyor tightener bracket assembly, left Bolt, carriage, 7/16 x 1-1/4"	387 to 414	1-3/4
3	0563 SR	Conveyor tightener rod, 7/16" dia., 8-5/8" long (2 used)	387 to 414	1/2
4	L 473	5 tooth idler sprocket (2 used)	387 to 414	1-1/2
5	K 1081	Cotter pin 3/16 x 1" (4 used)	387 to 414	1 oz.
6	0561 SRA	Front conveyor tightener bracket assembly, right Bolt, carriage, 7/16 x 1-1/4"	387 to 414	1-3/4
7	0937 SRA	Conveyor slide assembly (2 used) Bolt, machine, 3/8 x 1"	387 to 414	1-1/2
8	K 3880	Washer, 1" O.D., x 7/16" I.D., x 1/16" thick	387 to 397	1 oz.
	K 2881	Washer, 1-3/8" O.D., x 9/16" I.D., x 1/16" thick	405 to 414	1 oz.
9	AA 444 S	Conveyor bar with attachment links, 1-3/8" x 1" x 5/32" angle, 36-1/4" long	387 to 390	3-1/2
	01164 SRA	Conveyor bar with attachment links, 1-3/8" x 1" x 3/16" angle, 32-3/16" long	405 to 414	3-1/2
10	0895 SRA	Conveyor chain assembly with (13) AA 444 S bars, (182) No. 67 steel links, (13) ARS and (13) ALS attachment links, Order 01167 SRA	387 to 397	140
	01167 SRA	Conveyor chain assembly with (13) 01164 SRA bar with ARS and ALS attachment links and (182) 67 H steel links	405 to 414	102
11	67	Plain steel chain links	387 to 397	2 oz.
	67 H	Plain steel chain links	405 to 414	2 oz.
12	67 ALS	Steel attachment link, right	387 to 397	3 oz.
	67 HALS	Steel attachment link, right Rivet, flat head, 5/16 x 7/8"	405 to 414	3 oz.
13	67 ARS	Steel attachment link, left	387 to 397	3 oz.
	67 HARS	Steel attachment link, left	405 to 414	3 oz.
14	L 347	5 tooth feed sprocket, 1-1/16" bore used K 589 key (2 used) (Order 201341)	---	---
	201341	5 tooth feed sprocket, 1-1/16" bore	---	---
15	K 3210	Bearing fiber, 1-1/4" O.D., 1-1/16" I.D., 1-1/2" long (5 used)	387 to 414	2 oz.
16	112 SRA	Feed shaft bearing assembly, right (with two fiber bushings)	387 to 414	2-1/2
17	K 1868	Washer, 1-3/4" O.D., 1-3/32" I.D., 5/64" thick (2 used)	387 to 414	1 oz.
18	K 1084	Cotter pin, 3/16 x 1-3/4" (2 used)	387 to 414	1 oz.
19	K 621	Grease fitting, 1/8" NPT straight (4 used)	387 to 414	1 oz.
20	K 1156	Set screw, 3/8 x 5/8" (2 used)	387 to 414	2 oz.
21	0865 SR	Feed shaft, 1-1/16" rd., 50-1/8" long	387 only	12
	0984 SR	Feed shaft, 1-1/16" rd., 51-11/16" long	387 to 414	13
22	K 589	No. 13 Woodruff key, 3/16" thick, 1" long (2 used)	387 to 414	1 oz.
23	K 600	No. 20 Woodruff key, 7/32" thick, 1-1/4" long	387 to 414	1 oz.
24	111 SRA	Feed shaft bearing assembly, left (with two fiber bushings)	387 to 414	2-1/2
25	K 2587	Grease line, 15" long for left feed shaft bearing	387 to 414	1/4
26	K 625	Grease fitting, 1/8" female pipe thread	387 to 414	1 oz.
27	K 1082	Cotter pin, 3/16 x 1-1/4" (2 used)	387 to 414	1 oz.
28	K 3127	Spring extension, 26 coils, 2-1/8" long (2 used)	387 to 397	2 oz.
	K 4063	Spring extension, 21 coils, 2-1/4" long	405 to 414	1 oz.
29	K 1091	Cotter pin, 1/4 x 3/4" (2 used)	387 to 414	6
30	104 SRA	Retension pawl bracket assembly with studs Bolt, machine, 3/8 x 1-1/2" (2 used)	387 to 414	3
31	110 SR	Feed arm (2 used)	387 to 414	2 oz.
32	K 1793	Washer, 3-1/4" O.D., 25/32" I.D., 1/8" thick	387 to 414	1 oz.
33	K 1073	Cotter pin, 1/8 x 1-1/4"	387 to 414	1 oz.
34	K 2230	Slotted nut 1/2"	387 to 414	1 oz.
35	K 3122	Washer, 1-1/2" O.D., 29/32" I.D., 3/16" thick (2 used)	387 to 414	1 oz.
36	K 3123	Spacer, 7/8" O.D., 1/2" I.D., 1/2" long (2 used)	387 to 414	1 oz.
37	K 2248	Washer, 1-1/8" O.D., 17/32" I.D., 1/8" thick (2 used)	387 to 414	1 oz.
38	K 3124	Spacer, 7/8" O.D., 1/2" I.D., 1-3/4" long	387 to 414	1 oz.
39	K 1951	Cotter pin, 1/8 x 1-1/2" (2 used)	387 to 414	1-1/2
40	0775 SRA	Feed drive link, 1/4 x 1-1/2" x 10-13/16" long, right	387 to 414	1 oz.
41	K 624	Grease fitting, 1/8" pipe thread, 90 degree elbow (3 used)	387 to 414	3-1/2
42	0875 SRA	Feed adjustment arm bracket assembly Bolt, carriage, 3/8 x 1-1/2" (2 used) Bolt, carriage, 3/8 x 1-1/4"	387 to 414	2
43	103 SR	Feed arm stop	387 to 414	1 oz.
44	K 1766	Washer, 1-1/2" O.D., 25/32" I.D., 1/16" thick	387 to 414	1 oz.
45	K 1072	Cotter pin, 1/8 x 1"	387 to 414	1-1/4
46	0774 SR	Feed drive link, 1/4 x 1-1/2" x 10-1/8" long, left	387 to 414	2 oz.
47	K 1827	Spring, extension, 29 coils, 2-1/8" long (2 used)	387 to 392	1-1/4
	K 4063	Spring extension, 21 coils, 2-1/4" long	405 to 414	
48	0836 SRA	Feed pawl assembly	387 to 414	1/4
49	0987 SR	Shim for outboard bearing, 1/16 x 2-3/4" flat, 3-1/4" long	392 to 414	1/4
50	K 3132	Machine bolt, 1/2 x 4-1/4" special	387 to 414	3
51	119 SRA	Outboard feed shaft bearing with bushing	392 to 414	1 oz.
52	K 813	Washer, 1" O.D., 13/32" I.D., 1/8" thick	392 to 414	7
53	0849 SRA 1	Ratchet shield assembly Bolt, machine, 3/8 x 3/4" (2 used) Bolt, carriage, 3/8 x 1-1/4" bastard hd. (2 used)	387 only	7
	0985 SRA	Ratchet shield assembly Bolt, carriage, 3/8 x 1-1/4" bastard hd. (4 used) Bolt, machine, 3/8 x 1"	392 to 414	3-3/4
54	0850 SR	Ratchet shields, side brace Bolt, machine, 3/8 x 1" (2 used)	387 only	2 oz.
55	K 3211	Washer, 3" O.D., 1-3/32" I.D., 1/8" thick	387 to 414	3/4
56	0837 SRA	Retention pawl assembly (2 used)	387 to 414	12
57	109 SR	60 Tooth ratchet wheel, 1-1/16" bore	387 to 397	
	125 SR	75 tooth ratchet wheel, 1-1/16" bore	405 to 414	

MAIN DRIVE SHAFT ASSEMBLY

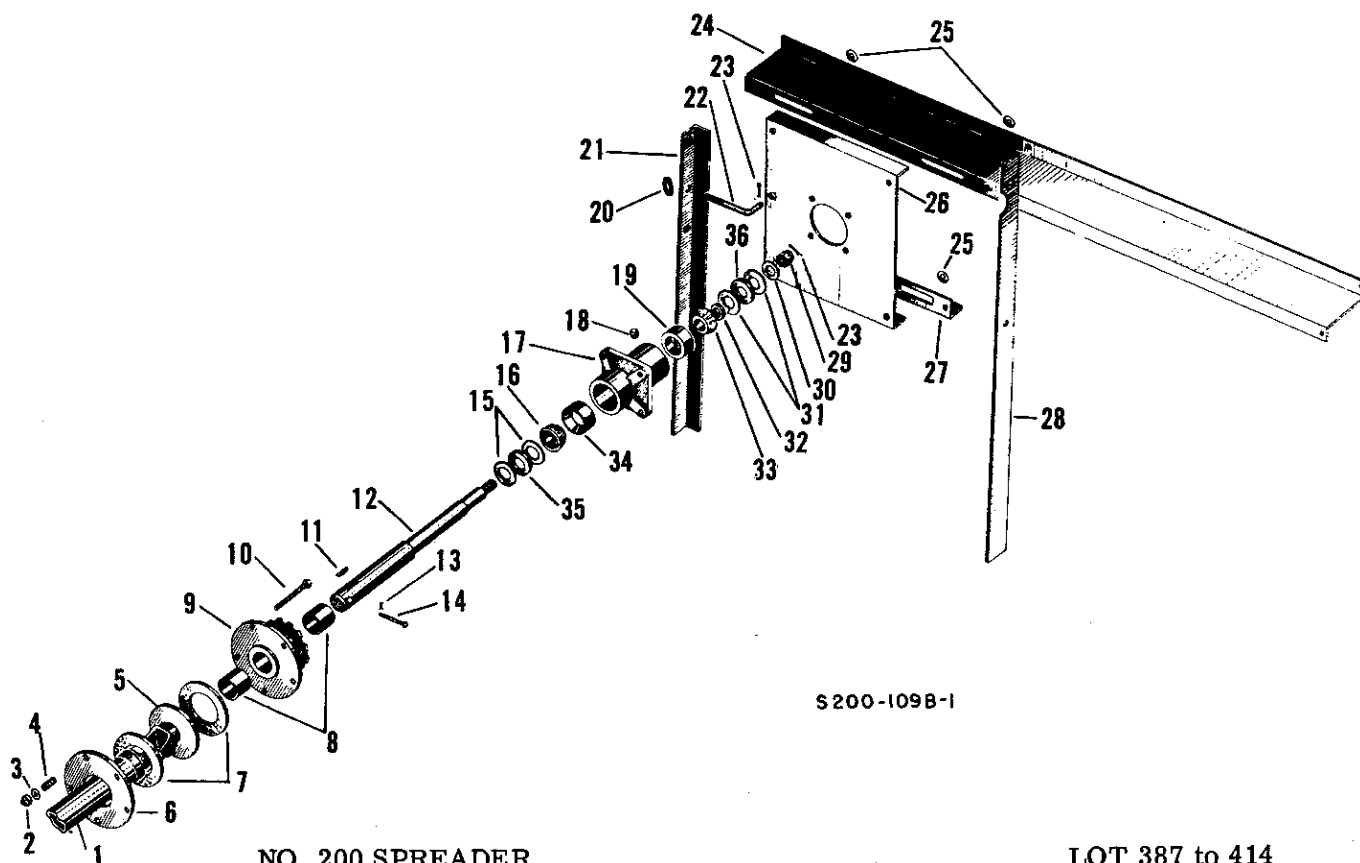


NO. 200 SPREADER

LOT 387 to 414

Ref.	Part No.	Description	Lot No.	Wt. Lbs.
1	0934 SRA	Roller chain assembly complete, 1-1/4" extended pitch A 2050 (50 total links)	387 to 414	2-3/4
	K 2568	Roller link, 1-1/4" pitch #2050	387 to 414	1 oz.
	K 2569 A	Connector link, 1-1/4" pitch #2050	387 to 414	1 oz.
	K 2570	Offset link, 1-1/4" pitch, #2050	387 to 414	1 oz.
	K 3723	Spring clip, 1-1/4" extended pitch chain #2050	387 to 414	1 oz.
2	0913 SRA	Front chain shield assembly	387 to 414	10-3/4
		Bolt, machine, 3/8 x 3/4" (2 used)		
		Bolt, machine, 5/16 x 3/4"		
3	0887 SR	Upper front chain shield bracket, 1/8 x 1 x 3" long	387 to 414	1/4
4	0876 SR	Bearing plate, for front bearing, 1/4 x 3-1/2 x 6-5/8"	387 only	1-1/2
		Order 0876 SRA		
		Bolt, machine, 3/8 x 1" (2 used)		
	0876 SRA	Bearing plate for front bearing	392 to 414	1-1/2
5	K 1169	Set screw in stop collar, 3/8 x 1/2"	387 to 414	1 oz.
6	K 589	Key, #13 woodruff, 3/16 x 1" for main drive shaft (2 used)	387 to 414	1 oz.
7	0712 SR	Keeper plate for main drive shaft bearing (2 used)	387 to 414	1/2
		Bolt, machine, 5/16 x 1" (2 used)		
8	82 SR	Center bearing, main drive shaft, 1-9/64" I.D.	387 to 414	2
9	0983 SR	Shield for main power shaft	392 to 414	2
10	0982 SR	Drive shaft shield bracket	392 to 414	1/2
11	K 1066	Cotter pin, 3/32 x 1/2"	387 to 414	1 oz.
12	0711 SR	Coupling for main drive shaft, 2" O.D., 1-1/4" I.D., 4" long (Order 200066)	387 to 414	
	200066	Coupling for main drive shaft		
13	K 1629	Rivet in shaft coupling, 1/4 x 2-1/4" (drilled)	387 to 414	1 oz.
14	0869 SR	Main drive shaft, 1-1/8" dia., 120-1/8" long	387 to 414	33
15	0713 SR	Bearing plate, for center bearing, 1/4 x 3 x 4-1/2"	387 only	1-1/2
		Order 0713 SRA		
		Bolt, machine, 5/16 x 1" (2 used)		
	0713 SRA	Bearing plate for center bearing	392 to 414	1
16	K 621	Grease fitting, 1/8" pipe thread, straight	387 to 414	1 oz.
17	79 SR	Stop collar for drive shaft bearing, 1-7/8" O.D., 1-9/64" I.D., 1" long	387 to 414	1/4
18	K 1777	Washer, 2" O.D., 1-5/32" I.D., 1/16" thick on main drive shaft (3 used)	387 to 414	1 oz.
19	80 SRA	Front bearing, main drive shaft (with 2-K 3104 bushing)	387 to 414	2
20	K 3104	Bushing, cast bronze, 1-25/64" O.D., 1-9/64" I.D., 1-1/8" long (2 used)	387 to 414	1/4
21	K 623	Grease fitting, 1/8" pipe thread, 67-1/2 degree elbow	387 to 414	1 oz.
22	83 SR	13 tooth sprocket for #2050 chain	387 to 414	2-1/2
23	K 1094	Cotter pin, 1/4 x 1-1/2"	387 to 414	1 oz.
24	K 2879	Washer, 7/8" O.D., 3/8" I.D., 3/64" thick	392 to 414	1 oz.

P.T.O. DRIVE BEARING AND BRACKETS

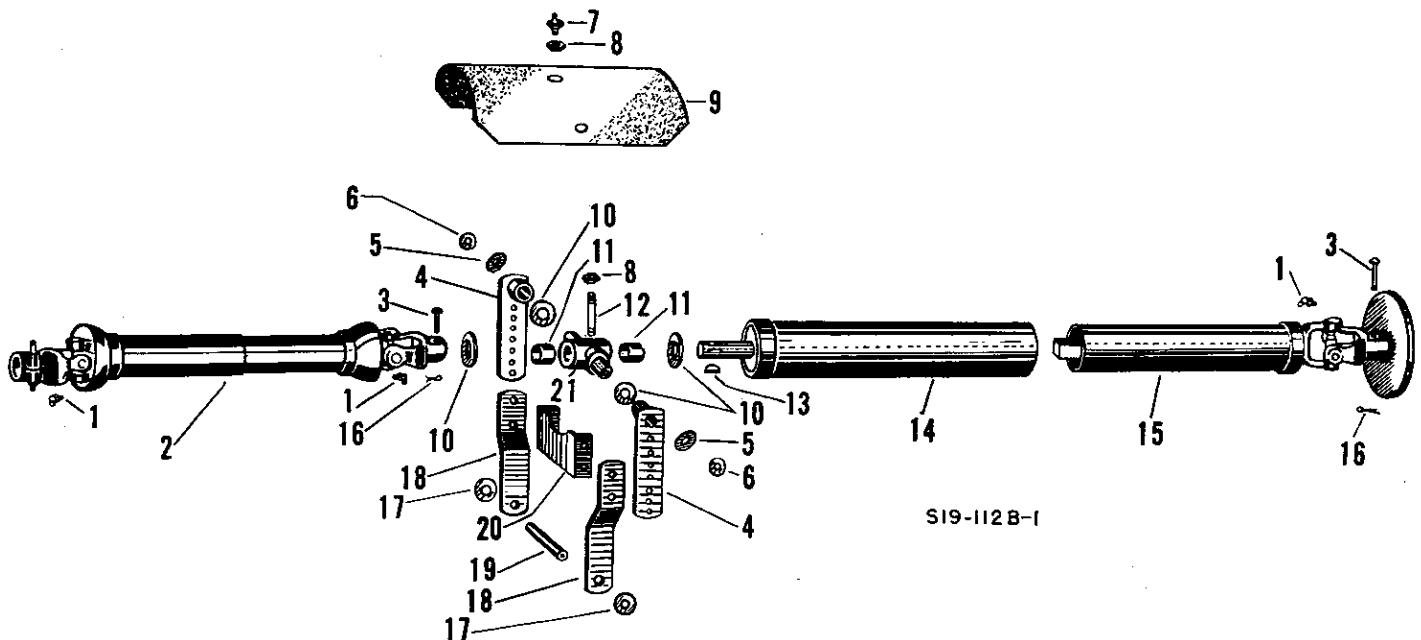


NO. 200 SPREADER

LOT 387 to 414

Ref.	Part No.	Description	Lot No.	Wt. Lbs.
1	K 3189 A	Yoke, clutch plate and shaft assembly (Order K 3189A-1)	387 to 392	13
	K 3189 A 1	Yoke, clutch plate and shaft assembly	405 to 414	
2	K 2177	Nut, 3/8" hex. slotted (5 used)	387 to 414	1 oz.
3	K 813	Washer, 1" O.D., 13/32" I.D., x 1/8" thick (5 used)	387 to 414	1 oz.
4	049 HS-1	Spring compression, 1-1/16" O.D., 1-13/16" long, 5 coils (5 used)	387 to 414	2 oz.
5	0805 SRA	Clutch plate and yoke assembly	387 to 414	30
6	0763 SR	Clutch backup plate, 7-1/4" O.D., 3-1/2" I.D.	387 to 414	2-1/4
7	K 3121	Clutch facing, 5-3/8" O.D., 3-1/2" I.D., 1/8" thick (2 used)	387 to 414	1/4
8	K 3113	Bushing - bronze sintered (2 used)	387 to 414	1 oz.
9	101 SRA	Clutch sprocket assembly (with 2 K3113 bushing)	387 to 414	7-1/2
10	K 3120	Bolt, machine, 3/8 x 3-1/2" (drilled) (5 used)	387 to 414	2 oz.
11	K 590	Key, #18 Woodruff for P.T.O. shaft, 1/4 x 1-1/8"	387 to 414	2 oz.
12	0782 SR	P.T.O. Bearing shaft, 1-1/4" x 10" long	387 to 414	2-1/2
13	K 1071	Cotter pin, 1/8 x 3/4"	387 to 414	1 oz.
14	2590 P	Rivet for P.T.O. bearing shaft (drilled) 2-1/8 x 5/16"	387 to 414	1 oz.
15	K 1781	Washer, 2" O.D. x 1-9/32" I.D., 1-1/16" thick (2 used)	387 to 414	1 oz.
16	K 1855	Tapered roller bearing cone, 1" I.D.	387 to 414	1 oz.
17	41 SRA	Bearing housing assembly Bolts, machine, 3/8 x 1-1/4" (4 used)	387 to 414	3-1/2
18	K 1336	Pipe plugs, 1/8"	387 to 414	1 oz.
19	K 1818	Tapered roller bearing cup, 1-15/16" O.D.	387 to 414	1 oz.
20	K 1852	Washer, 1" O.D., 17/32" I.D., 1/16" thick	396 to 414	1 oz.
21	0737 SR	P.T.O. bearing support bracket angle (right) 14-3/8" long Bolts, machine, 3/8 x 1" (4 used)	387 to 414	2-1/2
22	0733 SR	Adjustment rod for drive chain, 1/2 x 6" long	387 to 414	1/2 lb.
23	K 1081	Cotter pin, 3/16 x 1" (2 used)	387 to 414	1 oz.
24	0916 SR	P.T.O. bearing support bracket, 25-5/8" long Bolts, machine, 3/8 x 1" (4 used)	387 to 414	6
25	K 2880	Washer, 1" O.D. x 7/16" I.D. x 1/16" thick (4 used)	387 to 414	1 oz.
26	0728 SR	P.T.O. bearing housing support plate, 3/16 x 7-1/2" x 10" Bolts, machine, 3/8 x 1" (4 used)	387 to 414	4-1/2
27	0735 SR	Bearing plate cross angle, 7/64 x 1-1/2" angle, 12-7/8" long	387 to 414	2
28	0928 SR	P.T.O. bearing support bracket angle, (left) 22-7/8" long Bolts, machine, 3/8 x 1" (4 used)	387 to 414	4
29	K 1811	Nut, 5/8" fin. hex. (slotted)	387 to 414	1 oz.
30	K 847	Washer, 1-1/2" O.D. x 21/32" I.D. x 3/32" thick	387 to 414	1 oz.
31	K 900	Washer, 2" O.D. x 1-1/32" I.D. x 1/16" thick (2 used)	387 to 414	1 oz.
32	K 1858	Spacer, 1" O.D., 25/32" I.D., 5/16" thick	387 to 414	1 oz.
33	K 1817	Tapered roller bearing cone, 3/4" I.D.	387 to 414	1 oz.
34	K 1618	Tapered roller bearing cup, 2-1/2" O.D.	387 to 414	2 oz.
35	K 1856	Felt seal, 2-1/16" O.D., 1" I.D., 1/4" thick	387 to 414	1 oz.
36	K 1857	Felt seal, 2-1/2" O.D., 1-1/4" I.D., 1/4" thick	387 to 414	1 oz.

P.T.O. TELESCOPE DRIVE SHAFT ASSEMBLY

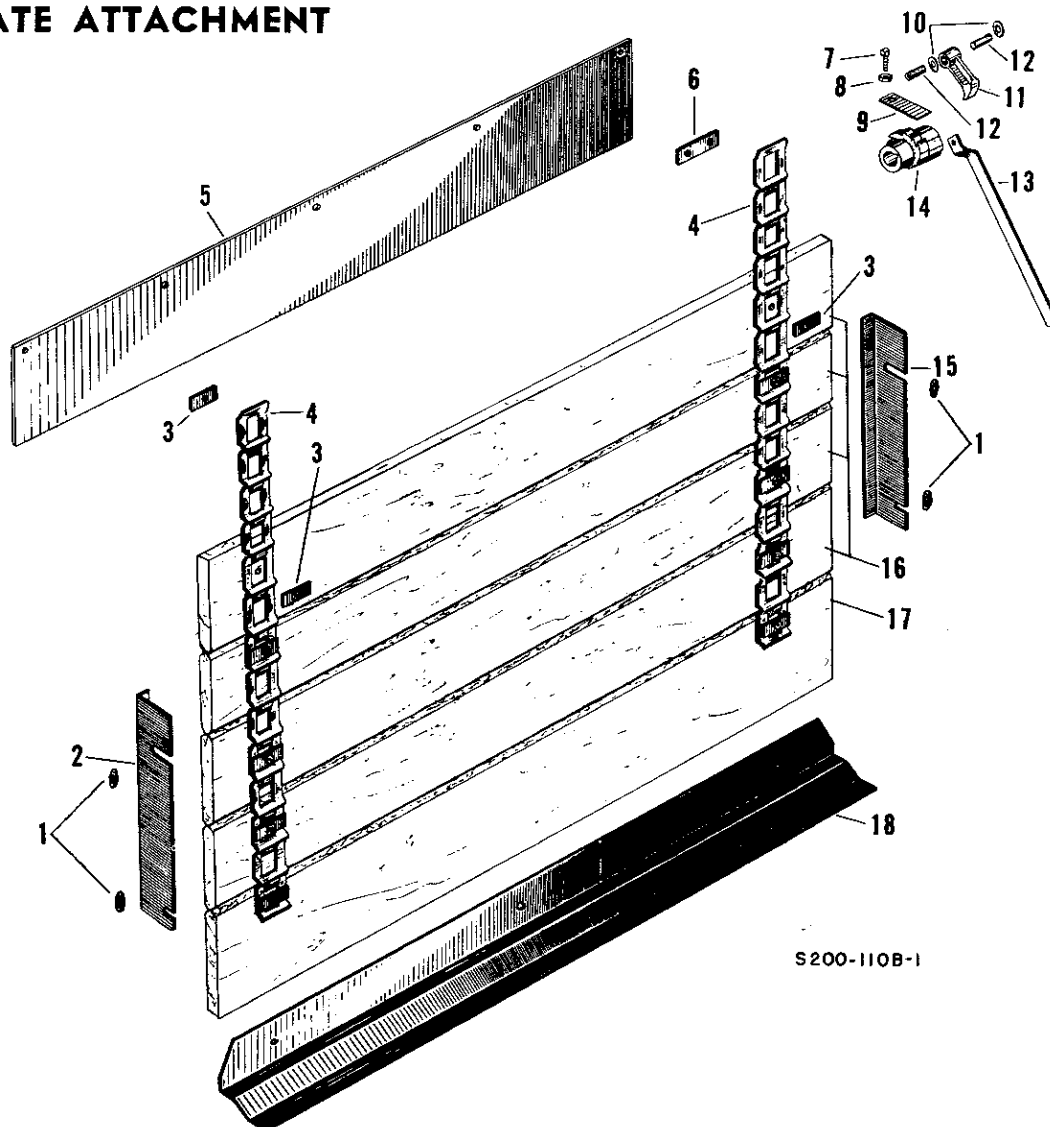


NO. 200 SPREADER

LOT 387 to 414

Ref.	Part No.	Description	Lot No.	Wt. Lbs.
1	K 624	Grease fitting, 1/8" pipe thread 90° - See K 623 and K 627	387 to 392	1 oz.
	K 623	Grease fitting, 1/8" pipe thread, 57-1/2 degree elbow Replaces 2 - K 624 in K 2001A for all lots	387 to 414	1 oz.
	K 627	Grease fitting, 5/16 - 32 N.S. threads, 67-1/2 degree elbow Replaces K 624 in K 3189 A for all lots	387 to 414	1 oz.
2	K 2001A	Shield drive assembly (1-3/8" spline)	387 to 414	15-1/2
3	2590 P	Pin, 5/16 x 2-1/4" oval head (drilled) (2 used)	387 to 414	1 oz.
4	01413 BKA	Adjustable P.T.O. bearing support assembly (2 used)	387 to 414	1-1/2
		Bolt, machine, 7/16 x 1-1/4" (2 used)		
5	K 3378	Washer, 1-3/4" O.D., 7/16" I.D., 1/8" thick (2 used)	387 to 414	1 oz.
6	K 814	Washer, 1" O.D. x 7/16" I.D., 1/16" thick (2 used) Order K 2880 ...	387 only	1 oz.
	K 2880	Washer, 1" O.D. x 7/16" I.D., 1/16" thick, electro galvanized (2 used)	392 to 414	1 oz.
7	K 626	Grease fitting, 1/4" N.S.T.	387 to 414	1 oz.
8	K 579	Jam nut, 1/2" hex. (2 used)	387 to 414	1 oz.
9	0810 SR	Shield over swivel bearing. Order 0863 SR	387 only	1
	0863 SR	Shield over swivel bearing	392 to 414	1
		Bolt, machine, 3/8 x 3/4" (2 used)		
10	K 1780	Washer, 2" O.D., 1-9/32" I.D., 3/32" thick (3 used)	387 to 414	1 oz.
11	K 1565	Bushing, steel backed bronze, 1-3/8" O.D., 1-1/2" I.D., 1-1/8" long (2 used)	387 to 414	1/4
12	K 3173	Grease line, 1/2" O.D. x 2-7/8" long	387 to 414	2 oz.
13	K 590	Key, #18 Woodruff, 1/4 x 1-1/8"	387 to 414	1 oz.
14	K 3188 A	Drive shaft tube assembly (1-1/4" rd. shaft) (Order K 3188A-1)	387 to 392	
	K 3188A-1	Drive shaft tube assembly (1-1/4" rd. shaft)	405 to 414	
15	K 3189 A	Shaft, yoke, and clutch plate assembly (15/16" sq. shaft) (Order K 3189A-1)	387 to 392	
	K 3189A-1	Shaft, yoke, and clutch plate assembly 1-5/16" sq. shaft	405 to 414	
16	K 1071	Cotter pin, 1/8 x 3/4" (2 used)		1 oz.
17	K 837	Washer, 1-3/8" O.D., x 9/16" I.D., 1/16" thick (2 used) Order K 2881	387 only	1 oz.
	K 2881	Washer, 1-3/8" O.D. x 9/16" I.D., 1/16" thick electro galvanized (2 used)	392 to 414	1 oz.
18	0401 SR	P.T.O. front bearing support straps, 1/4 x 2-1/2" flat, 11-3/4" long (2 used)	387 to 414	2'
		Bolt, Machine, 1/2 x 4-3/4"		
19	0708 SR	Spacer, for swivel bearing support, 3/4" O.D., 4-1/8" long	387 to 414	1 oz.
20	0709 SR	P.T.O. support channel, 5/32" thick	387 to 414	1
21	102 SRA	Front P.T.O. drive bearing assembly with 2 K 1565 bearings	387 to 414	3

ENDGATE ATTACHMENT



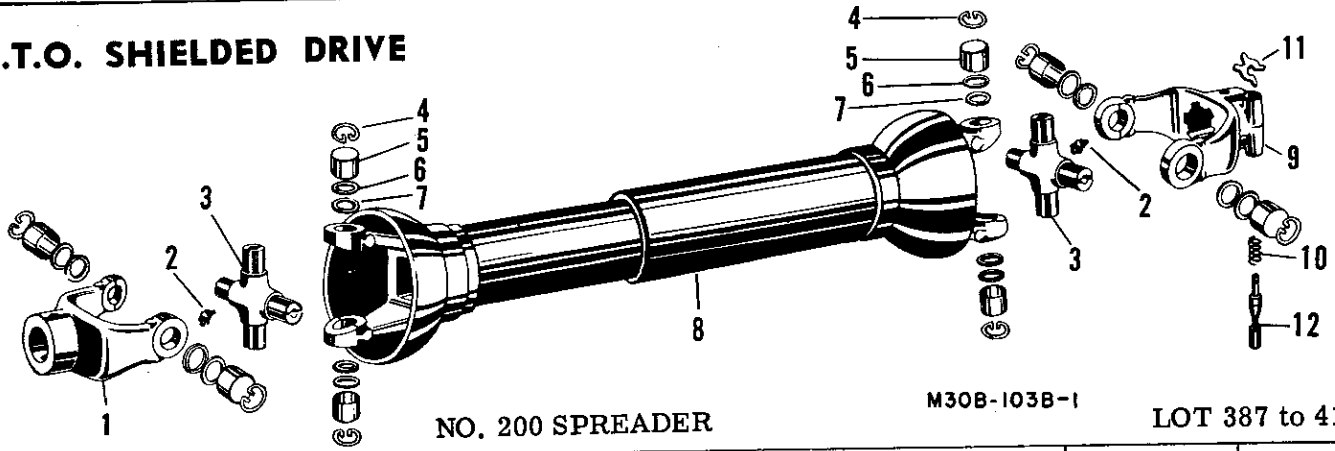
S200-110B-1

NO. 200 SPREADER

LOT 387 to 414

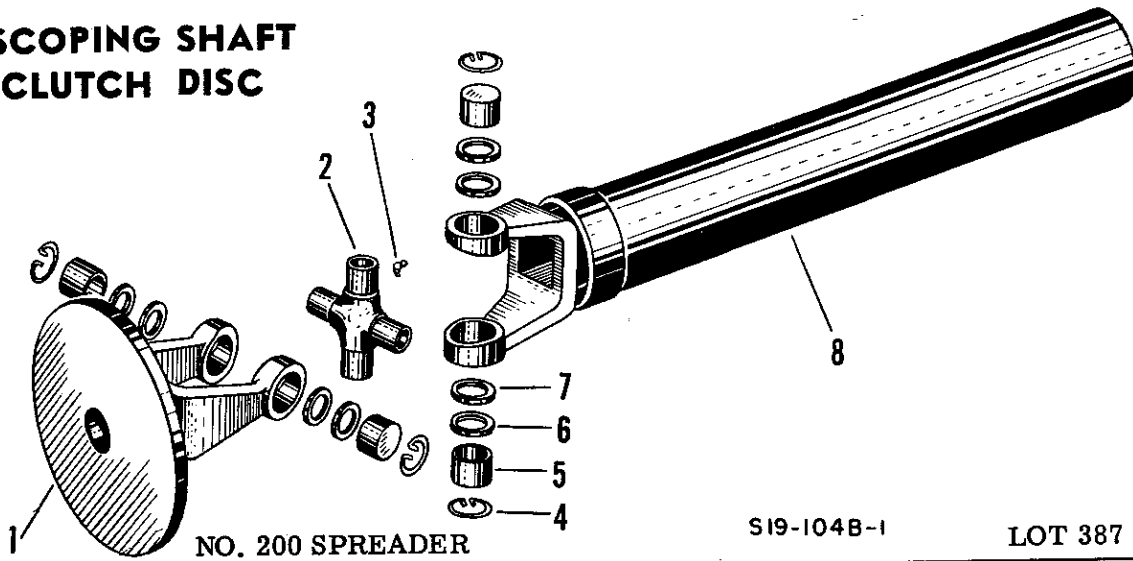
Ref.	Part No.	Description	Lot No.	Wt.Lbs.
1	K 2880	Washer, 1" O.D., 7/16" I.D., 1/16" thick (4 used) electro galvanized	387 to 414	1 oz.
2	0821 SR-1	Rear guide, left, .075 x 2-15/16" flat, 13-5/16" long	387 to 414	1
3	0823 SR	Chain clip, 1/8 x 11/16" flat, 1-1/2" long (11 used)	387 to 414	2 oz.
4	52	Steel chain link (30 used)	387 to 414	2 oz.
5	K 507	Rubber retainer flap on front endgate, 6 x 39" long	387 to 414	4
6	0822 SR	Tie strap, 1/8 x 1" flat, 2-3/4" long	387 to 414	1/4
		Bolt, machine, 3/8 x 1-1/4" (2 used)		
7	K 1165	Set screw, 3/8" dia., 1" long, reg. head, cup point	387 to 414	1 oz.
8	K 2284	Jam nut, 3/8" hex head	387 to 414	1 oz.
9	0973 SR	Ratchet stop plate, 1/4 x 1-1/2" flat, 3-1/2" long	387 to 414	1/2
10	K 2881	Washer, 1-3/8" O.D., 9/16" I.D., 1/16" thick (2 used) electro galvanized	387 to 414	1 oz.
11	D 231	Retention pawl	387 to 414	1/2
12	1534 S	Bushing, 11/16" O.D., 1-1/16" long (2 used)	387 to 414	2 oz.
13	0827 SR	Ratchet lever, 5/16 x 1" flat, 18-1/8" long	387 to 414	1-3/4
		Bolt, machine, 3/8 x 1"		
14	105 SR	Ratchet hub	387 to 414	4-1/4
15	0820 SR-1	Rear guide, right, .075 x 2-15/16" flat, 13-5/16" long	387 to 414	1
16	W 60 SR	Center boards, 25/32 x 3-7/16" flat, 39-3/16" long, yellow pine (4 used)	387 to 414	2-3/4
		Bolt, carriage, 3/8 x 1-3/4" (2 used)		
17	W 59 SR	Bottom board, 25/32 x 6-15/16" flat, 39-3/16" long, yellow pine	387 to 414	5-3/4
		Bolt, carriage, 3/8 x 1-3/4" (2 used)		
18	566 S	Main cylinder filler sheets 39" long, 14 ga. (6 used)	387 to 414	5-1/2
		Bolt, machine, 3/8 x 1-1/4 (2 used)		

P.T.O. SHIELDED DRIVE



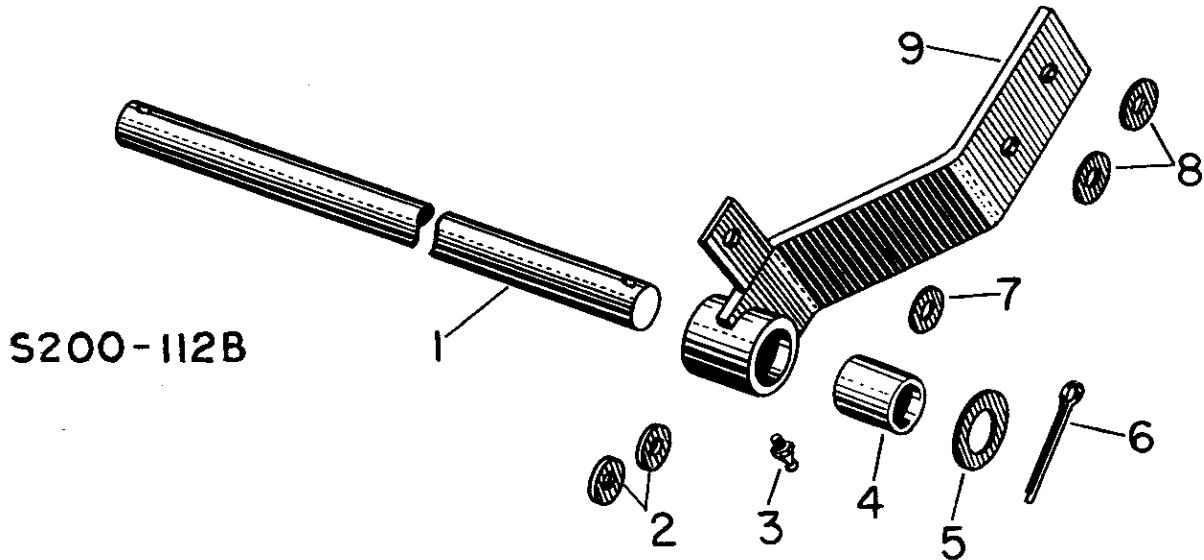
Ref.	Part No.	Description	Lot No.	Wt.Lbs.
1	K 1896 K 4218	Yoke, keywayed, 1-1/4" bore, Order K 4218	387 to 405 414 only	2-1/2
2	K 623	Yoke, keywayed, 1-1/4" bore.....	387 to 414	1 oz.
3	2929 P	Grease fitting, 1/8" pipe thread, 67-1/2 degree elbow	387 to 414	1/4
	K 1911 A	Center cross (2 used)	387 to 414	3/4
4	0652 HS	Center cross kit complete	387 to 414	1 oz.
5	2930 P	Snap ring (8 used)	387 to 414	1 oz.
6	0654 HS	Bushing (8 used)	387 to 414	1 oz.
7	2931 P	Cork washer (8 used)	387 to 414	1 oz.
8	K 2001	Cork retainer (8 used)	387 to 414	10-1/4
9	K 1830 A	Shielded drive and yokes	387 to 414	2-1/2
10	K 1846	Yoke, 1-3/8" spline	387 to 414	1 oz.
11	K 3421	Spring, compression, 7/8" long, 4 coils	387 to 414	1 oz.
	K 1951	Spring clip	405 to 414	1 oz.
	K 1847	Cotter pin, 1/8 x 1/2" for quick lock pin	387 only	1 oz.
12	K 3424	Quick lock pin for yoke, 3-7/16" long Order K 3424	387 only	1/4
		Quick lock pin for yoke	392 to 414	1/4

TELESCOPING SHAFT AND CLUTCH DISC



Ref.	Part No.	Description	Lot No.	Wt.Lbs.
1	0805 SRA	Clutch plate and yoke assembly, 5-3/4" O.D., 1-3/4" I.D.	387 to 414	3
2	2929 P	Center cross	387 to 414	1/4
	K 1911A	Center cross kit complete	387 to 414	3/4
3	K 623	Grease fitting, 1/8" pipe thread, 67-1/2 degree elbow	387 to 414	1 oz.
		Used with K 1911A only	387 to 414	1 oz.
4	0652 HS	Snap ring	387 to 414	1 oz.
5	2930 P	Bushing	387 to 414	1 oz.
6	0654 HS	Cork washer	387 to 414	1 oz.
7	2931 P	Cork retainer	387 to 414	1 oz.
8	K 3181A	Shaft and yoke assembly (5/16" sq. shaft)	387 to 414	9-1/4

**SPECIAL OUTBOARD FEED SHAFT BEARING
KIT NO. 01106 SRA USED WITH S200-108B-I**



LOT 387 only

Ref.	Part No.	Description	Lot No.	Wt.Lbs.
1	0984 SR	Feed shaft, 1-1/16" Rd., 51-11/16" long	387 only	14
2	K 2248	Washer, 1-1/8" O.D., 17/32" I.D., 1/8" thick (used between shield and lower side angle (2 used).....	387 only	2 oz.
3	K 621	Grease fitting, 1/8" pipe thread straight	387 only	1 oz.
4	K 3210	Bearing, fiber, 1-1/4" O.D., 1-1/16" I.D., 1-1/2" long	387 only	1 oz.
5	K 1868	Washer, 1-3/4" O.D., 1-3/32" I.D., 5/64" thick	387 only	1 oz.
6	K 1084	Cotter pin, 3/16 x 1-1/4"	387 only	1 oz.
7	K 3073	Washer, 1-3/8" O.D., 11/32" I.D., 1/16" thick galv.	387 only	1 oz.
8	K 1852	Washer, 1" O.D., 17/32" I.D., 1/16" thick	387 only	1 oz.
9	01101 SRA	Outboard bearing with fiber bushing	387 only	4
		Bolt, machine, 1/2 x 1" (2 used)		