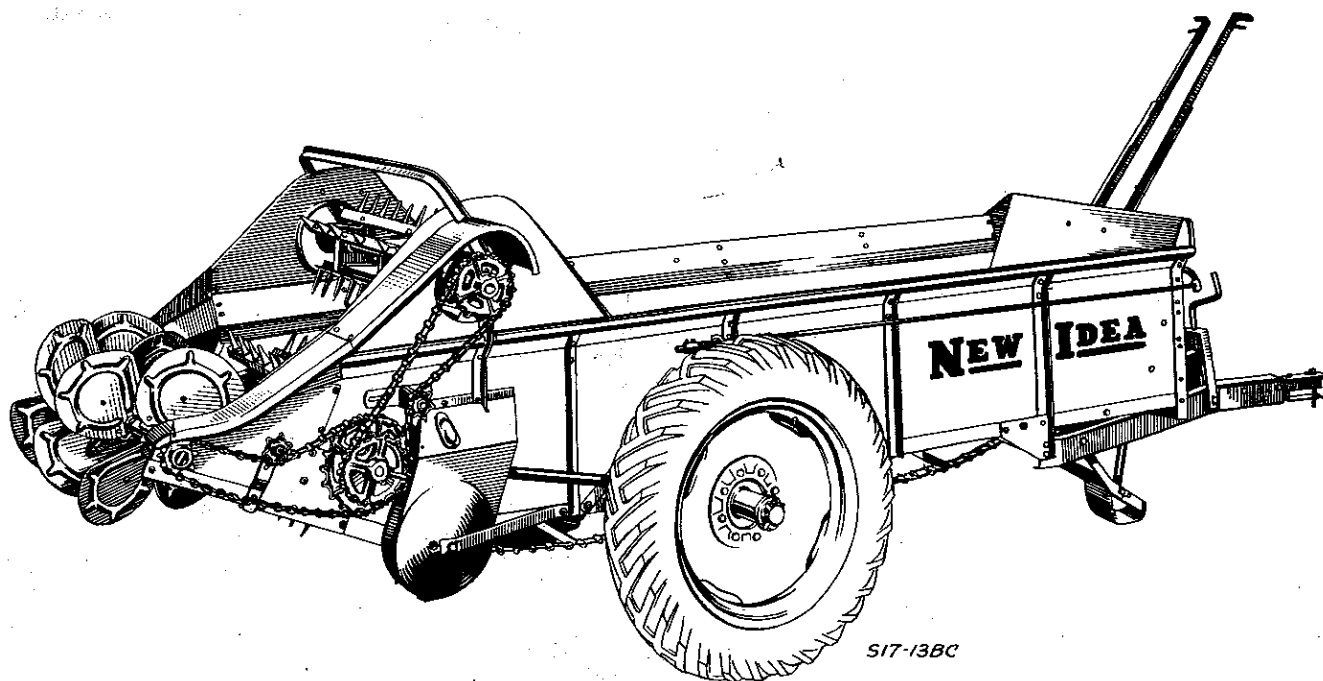


**NO. 17 SPREADER**

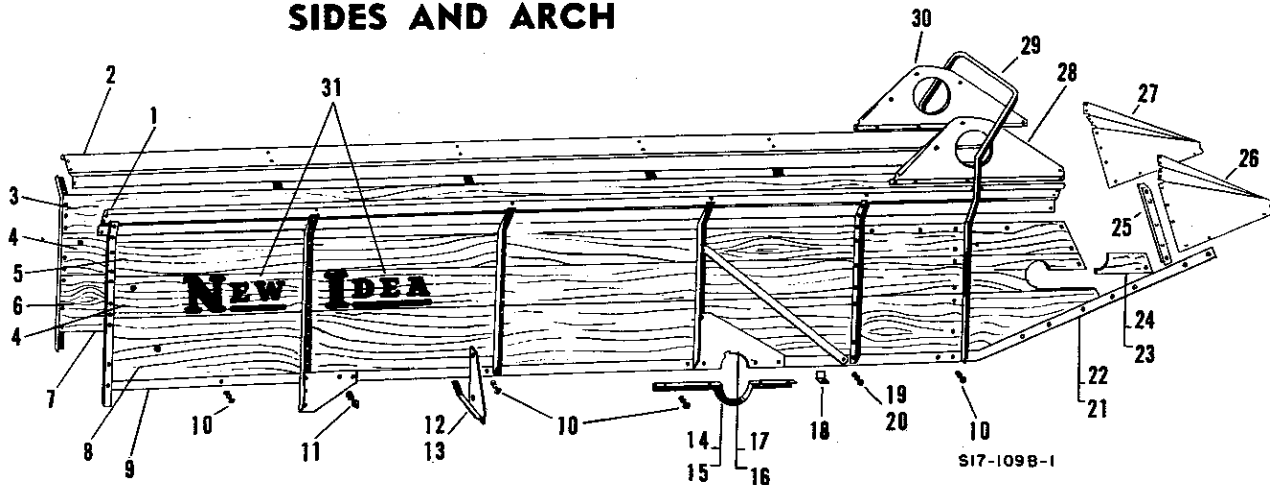
Year Built 1955 to 1960

Lots 371 to 417

**INDEX OF NO. 17 SPREADER**

Axle and Wheels	25
Bottom	23
Distributor	29
Endgate Attachment	34
Endgate and Levers	24
Feed Mechanism	31
Feed shaft and conveyor	32, 33
Hitch Assembly	26
Main cylinder	27
Main Drive	30
Sides and arch	22, 23
Special Lever, Ford 12WD, Ferguson Tractors	33
Upper cylinder	28

## SIDES AND ARCH



NO. 17 SPREADER

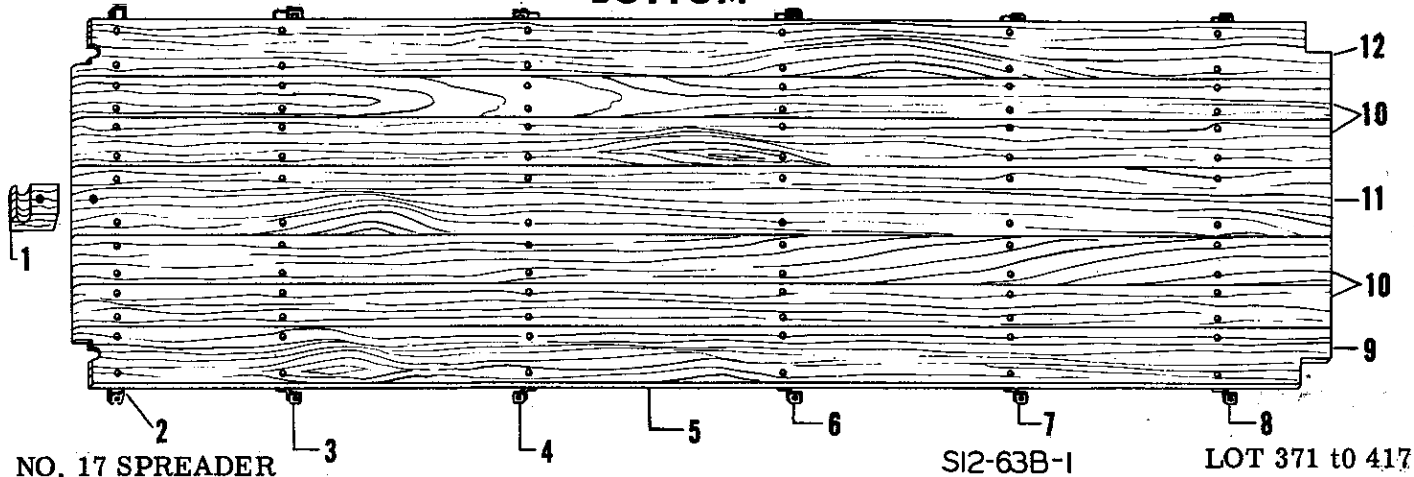
LOT 371 to 417

Ref.	Part No.	Description	Lot No.	Wt. Lbs.
1	0520 SR	Flare board, left (Order 0520 SR-2)	371 to 407	39
	0520 SR-1	Flare board, left (Order 0520 SR-2)	410 to 417	39
	0520 SR-2	Flare board, left	---	39
		Machine screw, 5/16 x 3/4" (10 used)		
		Machine screw, 5/16 x 1-1/2" (4 used)		
2	0519 SR	Flare board, right (Order 0519 SR-2)	371 to 407	39
	0519 SR-1	Flare board, right (Order 0519 SR-2)	410 to 417	39
	0519 SR-2		---	9
		Machine screw, 5/16 x 3/4" (10 used)		
		Machine screw, 5/16 x 1-1/2" (4 used)		
3	W 124	Top side board, right	371 to 417	15
		Rivet, truss head, 5/16 x 1-3/16"		
4	W 123	Center side board, left and right	371 to 417	12
		Rivet, truss head, 5/16 x 1-3/16"		
5	W 120	Top side board, left	371 to 417	15
		Rivet, truss head, 5/16 x 1-3/16"		
6	W 122	Lower side board, right	371 to 417	14
		Rivet, truss head, 5/16 x 1-3/16"		
7	0541 SRA	Side complete, right (Order 0940 SRA-1)	371 to 407	98
	0940 SRA-1	Side complete, right	410 to 417	98
8	W 118	Lower side board, left	371 to 417	14
		Rivet, truss head, 5/16 x 1-3/16"		
9	0530 SRA	Side complete, left (Order 0939 SRA-1)	371 to 407	98
	0939 SRA-1	Side complete, left	410 to 417	98
10	K 2940	Bolt, special carriage, 1/2 x 1-1/8" (8 used)	371 to 417	2 oz.
11	K 2941	Bolt, special carriage, 1/2 x 1-1/2" (2 used)	371 to 417	2 oz.
12	531 SA 1	Side brace, complete, left	371 to 380	3-1/2
		Bolt, machine, 1/2 x 1"		
		Bolt, machine, 3/8 x 1" (2 used)		
13	1148 SA	Side brace, complete, right	371 to 380	3-3/4
		Bolt, machine, 1/2 x 1"		
		Bolt, machine, 3/8 x 1"		
14	929 S	Axle bearing clamp, right, 2 x 1-1/2 x 3/16" angle, 23-1/2" long	371 to 417	4-1/4
		Bolt, machine, 1/2 x 1" (4 used)		
15	930 S	Axle bearing clamp, left, 2 x 1-1/2 x 3/16" angle, 23-1/2" long	371 to 417	4-1/4
		Bolt, machine, 1/2 x 1" (3 used)		
		Bolt, machine, 1/2 x 1-1/2" with 2 nuts		
16	1011 S	Axle plate, right (Order 1011 S-1)	371 to 412	6-1/4
	1011 S-1	Axle plate, right	417 only	6-1/4
17	1012 S	Axle plate, left (Order 1012 S-1)	371 to 412	6-1/4
	1012 S-1	Axle plate, left	417 only	6-1/4
18	0559 SR	Oil line clip, 1/16 x 1-1/2" flat, 2-1/4" long	371 to 417	1/4
19	K 1553	Bolt, special carriage, 1/2 x 1-1/2" left side, second from rear only	371 to 417	2 oz.
20	K 1274	Bolt, special carriage, 1/2 x 1-1/4" right side, second from rear only	371 to 417	2 oz.
21	0534 SR	Rear main side angle, right, 2 x 1-1/2 x 3/16" angle, 72" long	371 to 417	12-1/4
22	0535 SR	Rear main side angle, left, 2 x 1-1/2 x 3/16" angle, 72" long	371 to 417	12-1/4
23	W 125	Filler piece for rear end of side, right	371 to 417	1/2
24	W 121	Filler piece for rear end of side, left	371 to 417	1/2
25	0531 SR	End reinforcement, 1/16 x 3-1/16" flat, 14-1/4" long (2 used)	371 to 417	1
26	0577 SR	Filler shield, left	371 to 417	3/4

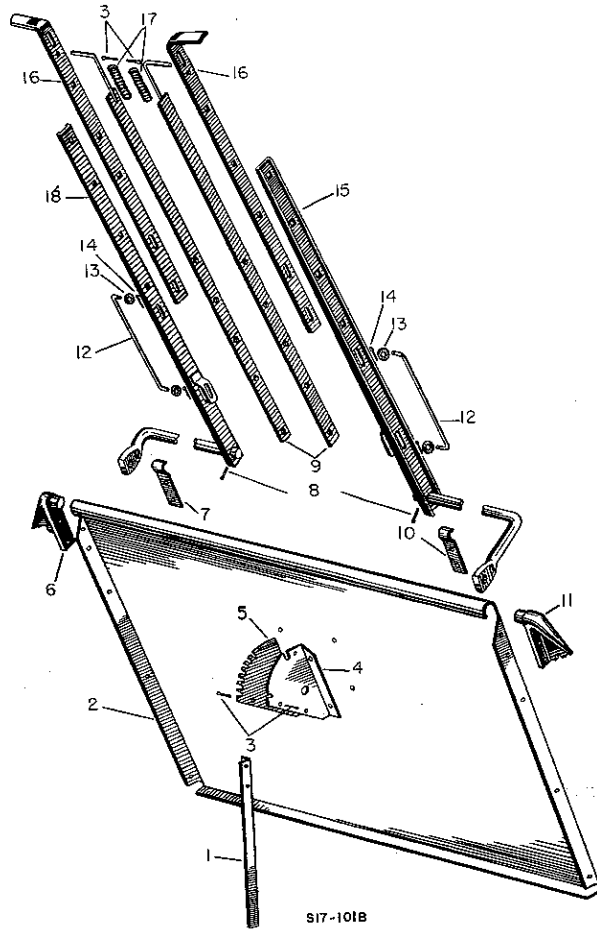
## SIDES AND ARCH (CONT')

Ref.	Part No.	Description	Lot No.	Wt.Lbs.
27	0576 SR	Filler shield, right.....	371 to 417	3/4
28	0547 SR	Upper cylinder shield, left (Order 0547 SRA).....	371 to 417	5-1/2
	0547 SRA	Upper cylinder shield assembly, left.....	---	
		Bolt, stove, 5/16 x 3/4" (4 used)		
29	0548 SR	Arch, 1-3/8 x 1 x 3/16" angle, 128-1/8" long.....	371 to 417	15
		Bolt, carriage, 5/16 x 1-1/4" bastard hd. (10 used)		
		Bolt, machine, 3/8 x 1" (2 used)		
		Bolt, carriage, 5/16 x 1-1/2" (2 used)		
30	0546 SR	Upper cylinder shield, right machine screw, 5/16 x 3/4" (4 used)...	371 to 417	5-1/2
31	K 1923	New Idea 5" stencil.....	371 to 417	1 oz.

## BOTTOM



Ref.	Part No.	Description	Lot No.	Wt.Lbs.
1	W 171 200643	Center feed shaft bearing, 1-7/8 x 2-7/8 x 3-3/8" long (Order 200643)	371 to 417	1
2	529 SA	Center feed shaft bearing.....	---	
2	529 SA	Rear cross angle, with end brackets 1-3/4 x 1-3/4 x 3/16" angle, 40-5/8" long.....	371 to 417	6-1/4
		Rivet, oval head, 3/8 x 7/8" (14 used)		
3	974 SA	Fifth from front cross angle with end brackets, 1-3/4 x 1-1/4 x 3/16" angle, 40-3/4" long.....	371 to 417	6-1/4
		Rivet, oval head, 3/8 x 7/8" (14 used)		
4	973 SA	Fourth from front cross angle, with end brackets, 1-3/4 x 1-1/4 x 3/16" angle, 40-1/2" long.....	371 to 417	6-1/4
5	W 606 A W 606A-1 W 606A-2	Bottom complete (Order W 606A-2).....	371 to 407	124
		Bottom complete (Order W 606A-2).....	412 only	124
		Bottom complete.....	417 only	124
6	972 SA	Third from front cross angle, with end brackets, 1-3/4 x 1-1/4 x 3/16" angle, 40-3/16" long.....	371 to 417	6
		Rivet, oval head, 3/8 x 7/8" (14 used)		
7	971 SA	Second from front cross angle, with end brackets, 1-3/4 x 1-1/4 x 3/16" angle, 39-7/8" long.....	371 to 417	6
		Rivet, oval head, 3/8 x 7/8" (14 used)		
8	970 SA	Front cross angle with end brackets, 1-3/4 x 1-1/4 x 3/16" angle, 39-5/8" long.....	371 to 417	6
		Rivet, oval head, 3/8 x 7/8" (14 used)		
9	W 606 W 84 SR	Bottom board, right.....	371 to 410	13
		Bottom board, right.....	412 to 417	13
		Rivet, W. B. head, 1/4 x 1-3/16" (12 used)		
10	W 155 W 86 SR	Bottom board (2nd from left).....	371 to 410	7
		Bottom board (2nd from left).....	412 to 417	7
		Rivet, W. B. head, 1/4 x 1-3/16" (12 used)		
11	W 151	Bottom board center.....	371 to 417	12
12	W 607 W 85 SR	Bottom board, left.....	371 to 410	13
		Bottom board, left.....	412 to 417	13
		Rivet, W. B. head, 1/4 x 1-3/16" (12 used)		
13	K 2879	Washer, 7/8" O.D. x 3/8" I.D., 3/64" thick.....	371 to 417	1 oz.



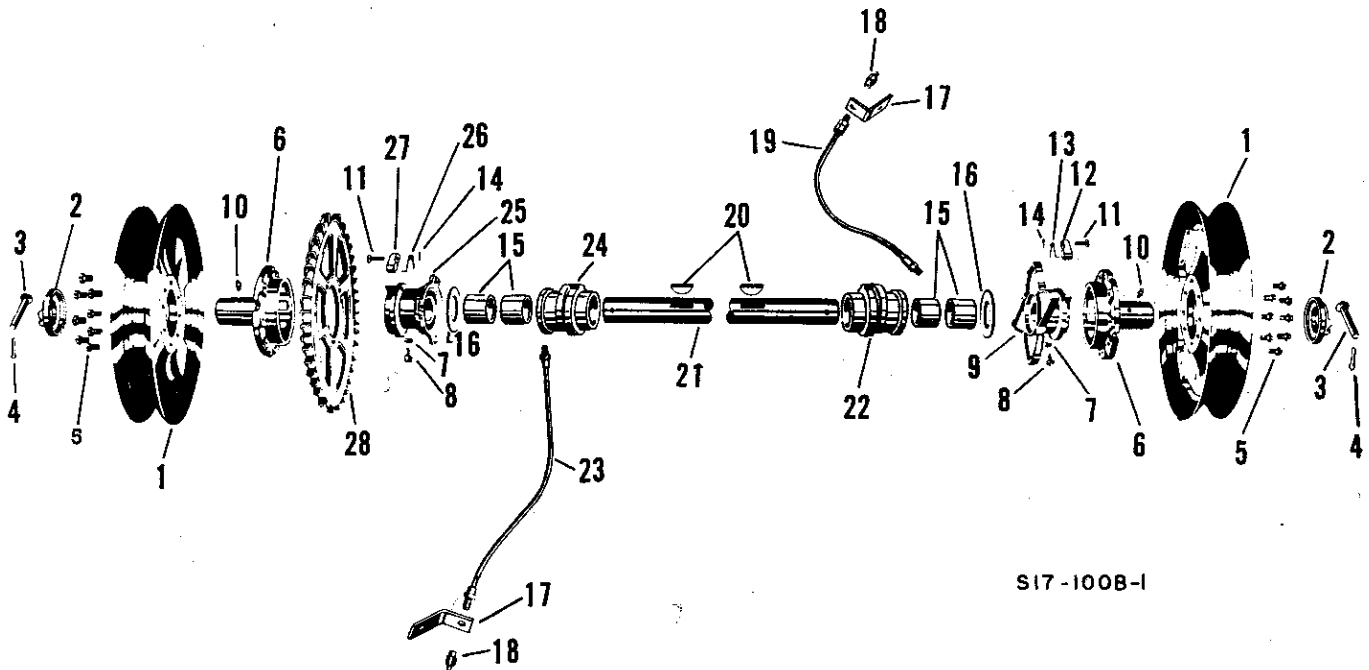
S17-101B

NO. 17 SPREADER

LOT 371 to 417

Ref.	Part No.	Description	Lot No.	Wt.Lbs.
1	0499 SR	Endgate brace angle, 1-1/4 x 1-1/4 x 5/32", 26-5/16" long (Order 0499 SR-1) .....	371 to 412	2-3/4
	0499 SR-1	Endgate brace angle, 1-1/4 x 1-1/4 x 5/32", 26-5/16" long.....	417 only	2-3/4
2	0543 SR	Bolt, machine, 3/8 x 1" (3 used)	371 to 412	15
	01413 SR	Front endgate .....	417 only	15
		Front endgate .....		
		Bolt, carriage, 3/8 x 1-1/4" (4 used)		
		Bolt, machine, 3/8 x 1-1/2" (2 used)		
3	K 1090	Cotter pin, 1/4" dia., 3/4" long, with 11/32" hole in eye (4 used)....	371 to 417	1 oz.
4	1441 S	Drive sector.....	371 to 417	4
		Bolt, machine, 3/8 x 1" (2 used)		
5	1437 S	Feed sector (Order 1437S-1).....	371 to 412	4
	1437 S-1	Feed sector.....	417 only	4
		Bolt, machine, 3/8 x 1" (2 used)		
6	62 SR	Front endgate corner casting, right.....	371 to 417	3
		Bolt, machine, 3/8 x 1" (2 used)		
7	1438 S	Clamp for feed lever rod, 1/4 x 1-1/2" flat, 5-3/4" long .....	371 to 417	3/4
		Bolt, machine, 3/8 x 1" (2 used)		
8	K 1083	Cotter pin, 3/16" dia., 1-1/2" long (2 used).....	371 to 417	1 oz.
9	1033 SA	Main lever rod with handle, 1/8 x 7/8" flat, 30-1/8" long .....	371 to 417	1
10	1244 S	Clamp for drive lever rod, 1/4 x 1-1/2" flat, 5-3/4" long.....	371 to 417	3/4
		Bolt, machine, 3/8 x 1" (2 used)		
11	61 SR	Front endgate corner casting, left.....	371 to 417	3
		Bolt, machine, 3/8 x 1" (2 used)		
12	1735 S	Main lever latch, 3/8" Rd., 21" long .....	371 to 417	3/4
13	K 814	Washer, 1" O.D., 7/16" I.D., 16 gauge, Order K 2880 .....	371 to 412	1 oz.
	K 2880	Washer, 1" O.D., 7/16" I.D., 16 gauge, electro galvanized.....	417 only	1 oz.
14	K 1071	Cotter pin, 1/8" dia., 3/4" long (4 used) .....	371 to 417	1 oz.
15	0528 SRA	Drive lever assembly.....	371 to 417	15
16	1629 S	Feed and drive levers, 1/4 x 1-1/2" flat, 27-1/8" long.....	371 to 417	2-1/2
		Bolt, carriage, 5/16 x 1-1/2" (2 used)		
17	1509 S	Compression spring, 5/8" O.D., 2-1/2" long, 13 coils .....	371 to 417	2 oz.
18	1734 SA	Feed rod control shaft, with lever base.....	371 to 417	10

## AXLE AND WHEELS



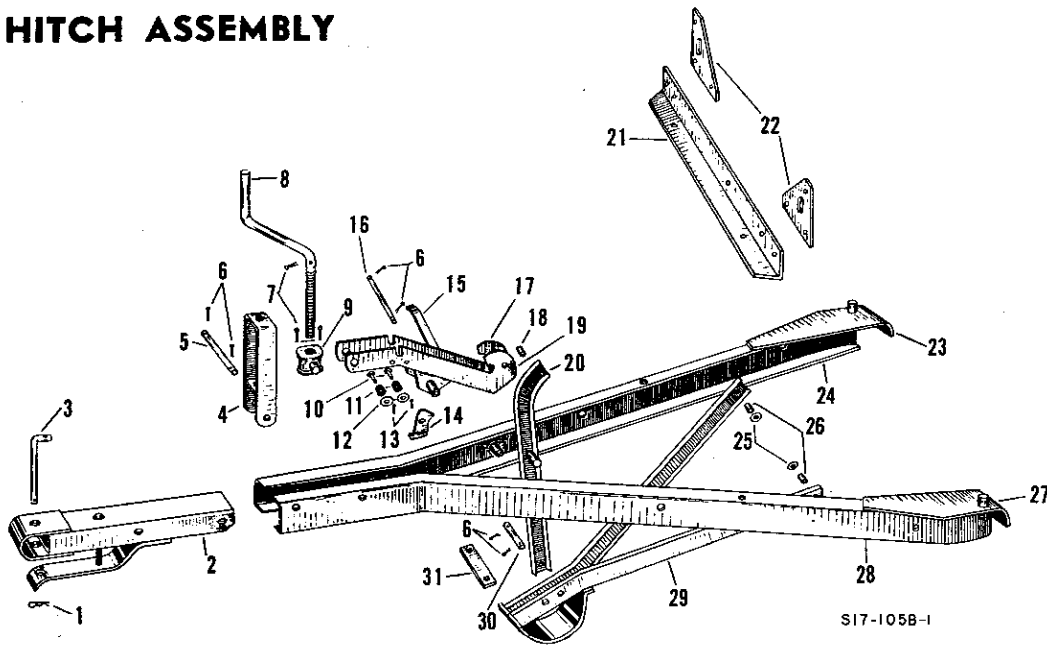
S17-100B-1

**NO. 17 SPREADER**

**LOT 371 to 417**

Ref.	Part No.	Description	Lot No.	Wt. Lbs.
1	K 1215	Disc wheels 24" Order K 3174	371 to 380	44
	K 3174	Disc wheels 24" x W7	388 to 417	44
2	L 529 ✓	Axle collar (2 used)	371 to 417	1-1/4
3	1375 S ✓	Axle pin, 1/2" dia., 3-1/2" long, oval head	371 to 394	1/4
4	M 953	Pin for wheel hubs, 1/2" dia., x 3-1/2" long	399 to 417	1/4
5	K 1081	Cotter pin, 3/16" dia., 1" long	371 to 417	1 oz.
6	1078 S	Hub bolt, 9/16" dia., 1-1/2" long (8 used)	371 to 417	2 oz.
7	L 530 ✓	Wheel hub, 2-1/8" bore (2 used)	371 to 417	25-1/4
8	K 744	Lock nut, 1/2" (2 used)	371 to 417	1 oz.
9	K 1189	Set screw, 1/2" dia., 1-1/4" long	371 to 417	1 oz.
10	L 526 A ✓	Feed cam with pawls and springs, 2-1/8" bore, Uses K 598 key	371 to 417	24-3/4
11	K 622	Grease fitting, 1/8" pipe thread, 30 degree elbow (2 used)	371 to 417	1 oz.
12	1505 S ✓	Pin for pawls, 1/4" dia., 1-7/8" long, W.B. head	371 to 417	1 oz.
13	18 C ✓	Pawl for feed cam	371 to 417	1/4
14	1515 S ✓	Torsion spring for feed cam	371 to 417	1 oz.
15	K 1066	Cotter pin, 3/32" dia., 1/2" long	371 to 417	1 oz.
16	K 2916 ✓	Bearing, fiber, 2-1/8" I.D., 2-3/8" long (4 used)	371 to 417	1/4
17	K 1649	Washer, 4-1/4" O.D., 2-1/2" I.D., 12 gauge	371 to 417	1/4
18	1577 S	Lubrication bracket, 3/16 x 1-1/4" flat, 3-3/8" long (2 used)	371 to 417	1/4
19	K 625	Grease fitting, 1/8" female pipe thread, straight, (2 used)	371 to 417	1 oz.
20	K 2919 ✓	Axle bearing oil line, right 9" long	371 to 417	3 oz.
21	K 598 ✓	No. 29 Woodruff key, 3/8" thick, 2-5/16" long	371 to 417	2 oz.
	1371 S ✓	Axle, 2-1/8" rd., 73-1/8" long (Order 202529)	371 to 417	73-1/2
	202529	Axle, 2-1/8" rd., 73-1/8" long		
	0550 SRA	Axle complete with 1-L 526 A, 1-L 527 A, 1-63 SRA and 1-64-SRA.	371 to 417	138
22	64 SRA ✓	Axle bearing housing assembly with 2-K 2916 bushings right	371 to 417	8-1/4
23	K 2920 ✗	Axle bearing oil line, left, 17" long	371 to 417	1/4
24	63 SRA ✓	Axle bearing housing assembly with 2-K 2916 bushings, left	371 to 417	8-1/4
25	L 527A	Sprocket wheel hub with pawls and springs, 2-1/8" bore, Uses K 598 key	371 to 417	19-1/2
26	1516 S ✓	Torsion spring for sprocket wheel hubs	371 to 417	1 oz.
27	17 C ✓	Pawl for sprocket hub	371 to 417	1/4
28	L 386A ✓	36-tooth sprocket wheel Order 121 SR	371 to 394	25-1/2
		Bolt, machine, 1/2 x 1-3/4" (3 used)		
	121 SR ✓	36 tooth main drive sprocket	399 to 417	25-1/2

# HITCH ASSEMBLY

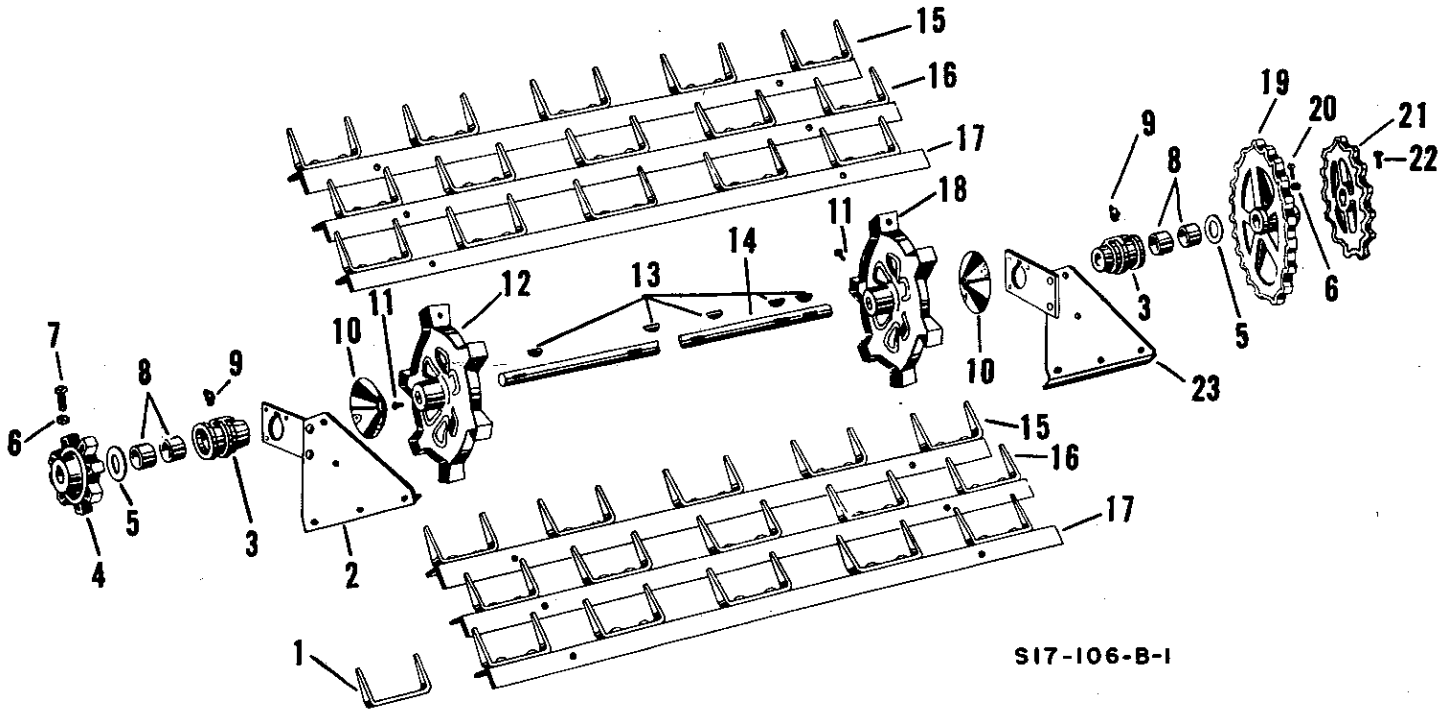


NO. 17 SPREADER

LOT 371 to 417

Ref.	Part No.	Description	Lot No.	Wt. Lbs.
1	2629 P	Pin clip .....	371 to 417	2 oz.
2	0186 SRA	Hitch tube assembly .....	371 to 417	9
3	550 P 1	Hitch pin, 3/4" Rd., 7-3/16" long .....	371 to 417	1
4	995 SA	Guide for adjusting crank assembly .....	371 to 417	5-1/4
5	0396 SR	Adjusting guide pin, 7/8" Rd. x 4-15/16" long .....	371 to 417	1
6	K 1082	Cotter pin, 3/16 x 1-1/4" (6 used) .....	371 to 417	1 oz.
7	K 1094	Cotter pin, 1/4 x 1-1/2" (3 used) .....	371 to 417	1 oz.
8	0594 SR	Adjusting crank, 7/8" Rd. x 21-3/16" long .....	371 to 417	3-1/4
9	L 487	Nut for adjusting crank .....	371 to 417	1
10	1306 S	Pin for sliding latch, 1/4" Rd., 1-1/4" long (2 used) .....	371 to 417	1 oz.
11	1307 S	Compression spring, 1/2" O.D., 15/16" long, 5 coils (2 used) .....	371 to 417	1 oz.
12	K 807	Washer, 3/4" O.D., 5/16" I.D., 3/64" thick (2 used) Order K-2876 .....	371 to 412	1 oz.
	K 2878	Washer, 3/4" O.D., 5/16" I.D., 3/64" thick, electro galvanized .....	412 to 417	1 oz.
13	K 1066	Cotter pin, 3/32 x 1/2" (2 used) .....	371 to 417	1 oz.
14	1305 S	Latch for sliding arm .....	371 to 417	1/4
15	999 S	Lock on adjusting arm, 3/16 x 1" flat, 10-1/2" long .....	371 to 417	1/2
16	0494 SR	Rod for adjusting arm, 3/4" Rd. x 15-7/8" long .....	371 to 393	2
	0969 SR	Rod for adjusting arm, 7/8" Rd. x 15-7/8" long .....	394 to 417	2-1/2
17	0489 SRA	Adjusting arm, right .....	371 to 393	4-1/2
	0968 SRA	Adjusting arm, right (Order 0968 SRA-1) .....	394 to 412	4-1/2
	0968 SRA 1	Adjusting arm, right .....	417 only	4-1/2
18	1001 S	Spacer, 3/8" I.D., 7/8" long .....	371 to 417	1 oz.
		Bolt, machine, 3/8 x 2" .....		
19	0488 SRA	Adjusting arm, left .....	371 to 393	4-1/2
	0392 SRA	Adjusting arm, left .....	394 to 412	4-1/2
	200234	Adjusting arm, left .....	417 only	
20	1004 SA	Sliding arm, 1-1/2 x 21/32" I bar, 24-1/4" long .....	371 to 417	2-1/2
21	0501 SR	Front cross angle, 3 x 2 x 3/16" angle, 39-13/16" long (Order 0929 SR2) .....	371 to 417	8
	0929 SR2	Front cross angle .....		
22	0500 SR	Front end reinforcing plate (2 used) Order 0500-SR 1 .....	371 to 378	3/4
		Bolt, machine, 5/8 x 1-1/4" .....		
		Bolt, machine, 1/2 x 1" (2 used) .....		
	0500 SR 1	Front end reinforcing plate (2 used) .....	379 to 417	3/4
23	A 941 S 1	Conveyor chain slide with guide, right, 1/8 x 4-1/2" flat, 17" long .....	371 to 417	2-3/4
24	0496 SRA	Hitch channel, with conveyor slide, right .....	371 to 393	28
		Bolt, machine, 1/2 x 1-1/4" (2 used) .....		
	01109 SRA	Hitch channel with conveyor slide, right .....	394 to 417	28
		Bolt, machine, 1/2 x 1-1/4" (2 used) .....		
25	K 837	Washer, 1-3/8" O.D., 9/16" I.D., 1/16" thick (2 used) Order K-2881 .....	371 to 412	1 oz.
	K 2881	Washer, 1-3/8" O.D., 9/16" I.D., 1/16" thick, electro galvanized .....	412 to 417	1 oz.
26	1009 S	Bushing, 3/4" O.D., 5/8" long .....	371 to 417	2 oz.
27	A 942 S 1	Conveyor chain slide with guide, left, 1/8 x 4-1/2" long .....	371 to 417	2-3/4
28	0497 SRA	Hitch channel with conveyor slide, left .....	371 to 393	28
		Bolt, machine, 1/2 x 1-1/4" (2 used) .....		
	01110 SRA	Hitch channel with conveyor slide, left .....	394 to 417	28
		Bolt, machine, 1/2 x 1-1/4" (2 used) .....		
29	0485 SRA	Shoe with brace bars .....	371 to 417	14-1/2
		Bolt, machine, 1/2 x 1-1/2" (2 used) .....		
30	1006 S	Pin in shoe assembly, 3/4" Rd., 2-11/16" long .....	371 to 417	1/4
31	0498 SR	Tie strap, 1/4 x 1-1/4" flat, 5-3/8" long .....	371 to 417	1
		Bolt, machine, 7/16 x 1" (2 used) .....		

# MAIN CYLINDER



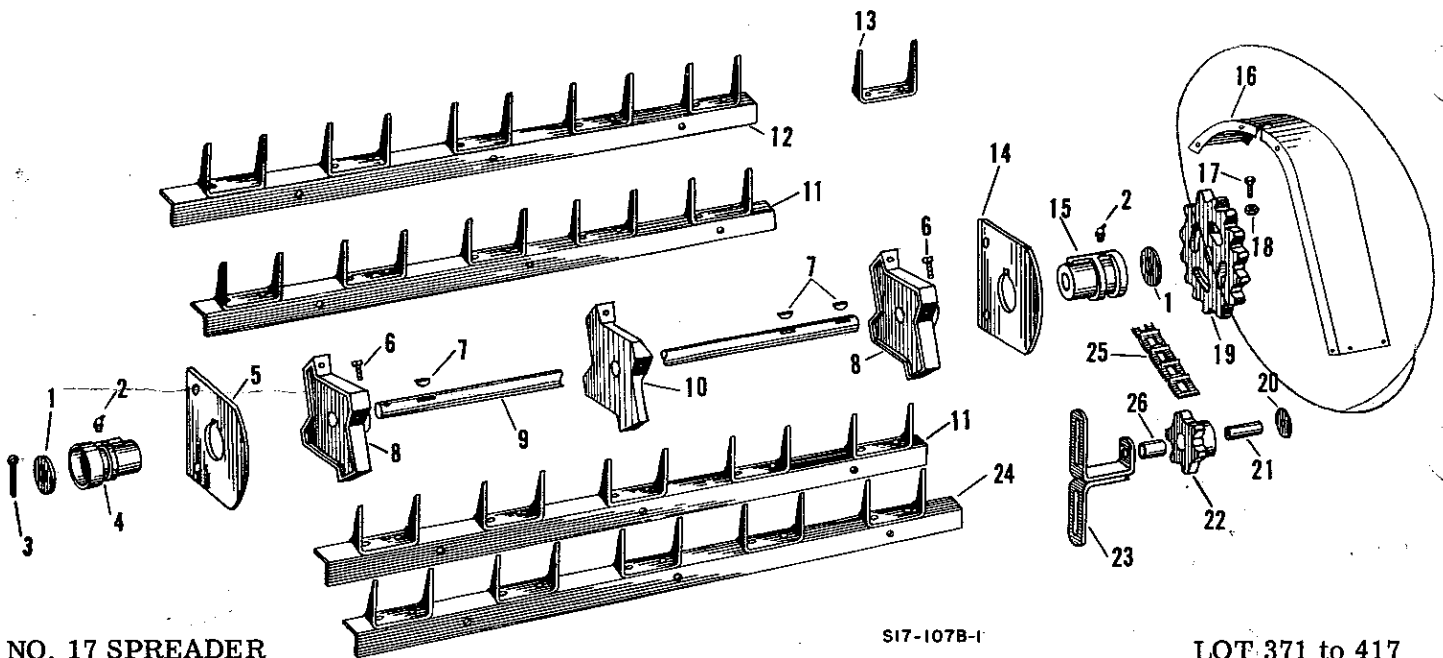
S17-106-B-1

## NO. 17 SPREADER

LOT 371 to 417

Ref.	Part No.	Description	Lot No.	Wt.Lbs.
1	1527 S	Cylinder bar tooth (30 used) .....	371 to 417	1/2
		Rivet, oval head, 5/16 x 3/4" (2 used)		
2	0555 SRA	Bearing plate assembly, left .....	371 to 417	6-1/4
		Bolt, machine, 3/8 x 1"		
		Bolt, carriage, 3/8 x 1-1/2" bastard head (2 used)		
		Bolt, carriage, 3/8 x 1-3/4" bastard head (3 used)		
3	68 SRA	Bearing assembly, with 2-K-2918 bushing (2 used) .....	371 to 417	1-1/2
4	67 SR	8-tooth sprocket, No. 72 chain, 1-1/4" bore .....	371 to 417	4
5	K 1780	Washer, 2" O.D., 1-9/32" I.D., 3/32" thick (2 used) .....	371 to 417	2 oz.
6	K 579	Jam nut, 1/2" (2 used) .....	371 to 417	1 oz.
7	K 1942	Set screw, 1/2 x 7/8" low head in 67-SR, Order K 4223 .....	371 to 407	1 oz.
	K 4223	Set screw, 1/2 x 7/8" cup point, low head .....	410 to 417	1 oz.
8	K 2918	Bushing, fiber, 1-7/16" O.D., 1-17/64" I.D., 1-1/4" long (4 used) .....	371 to 417	1 oz.
9	K 623	Grease fitting, 1/8" pipe thread, 67-1/2" degree elbow .....	371 to 417	1 oz.
10	0187 SR1	Anti-wrap shield (2 used) .....	371 to 417	3/4
		Bolt, machine, 5/16 x 1-1/2" with lockwasher (2 used)		
11	K 1185	Set screw, 1/2 x 1" cup point (2 used) .....	371 to 417	1 oz.
12	58 SR	Cylinder head, left, 1-1/4" bore .....	371 to 417	11-1/4
13	K 586	Key, woodruff, No. 19, 3/16" thick, 1-1/4" long (5 used) .....	371 to 417	1 oz.
14	0556 SR	Main cylinder shaft, 1-1/4" Rd., 51-1/2" long .....	371 to 417	13
	A 0556 SR	Main cylinder assembly complete less cylinder bars .....	371 to 417	57-1/2
15	1037 SA	Cylinder bar with teeth, 1-3/8 x 1-3/8 x 5/32" angle 38-5/8" long (2 used)....	371 to 417	7
		Bolt, machine, 3/8 x 1" (2 used)		
16	1036 SA	Cylinder bar with teeth, 1-3/8 x 1-3/8 x 5/32" angle 38-5/8" long (2 used)....	371 to 417	7
		Bolt, machine, 3/8 x 1" (2 used)		
17	1038 SA	Cylinder bar with teeth, 1-3/8 x 1-3/8 x 5/32" angle 38-5/8" long (2 used)....	371 to 417	7
		Bolt, machine, 3/8 x 1" (2 used)		
18	35 SR1	Cylinder head, right, 1-1/4" bore .....	371 to 417	11-1/4
19	66 SR	20-tooth sprocket, No. 62 chain, 1-1/4" bore .....	371 to 417	7-3/4
20	K 1189	Set screw, 1/2 x 1-1/4" cup point .....	371 to 417	2 oz.
21	65 SR	15-tooth sprocket, No. 62 chain, 1-1/4" bore .....	371 to 417	5-3/4
22	K 1184	Set screw, 1/2" x 3/4" cup point .....	371 to 417	1 oz.
23	0553 SRA	Bearing plate assembly, right .....	371 to 417	6-1/4
		Bolt, carriage, 3/8 x 1-1/2" bastard head, (2 used)		
		Bolt, carriage, 3/8 x 1-3/4" bastard head, (3 used)		

## UPPER CYLINDER



NO. 17 SPREADER

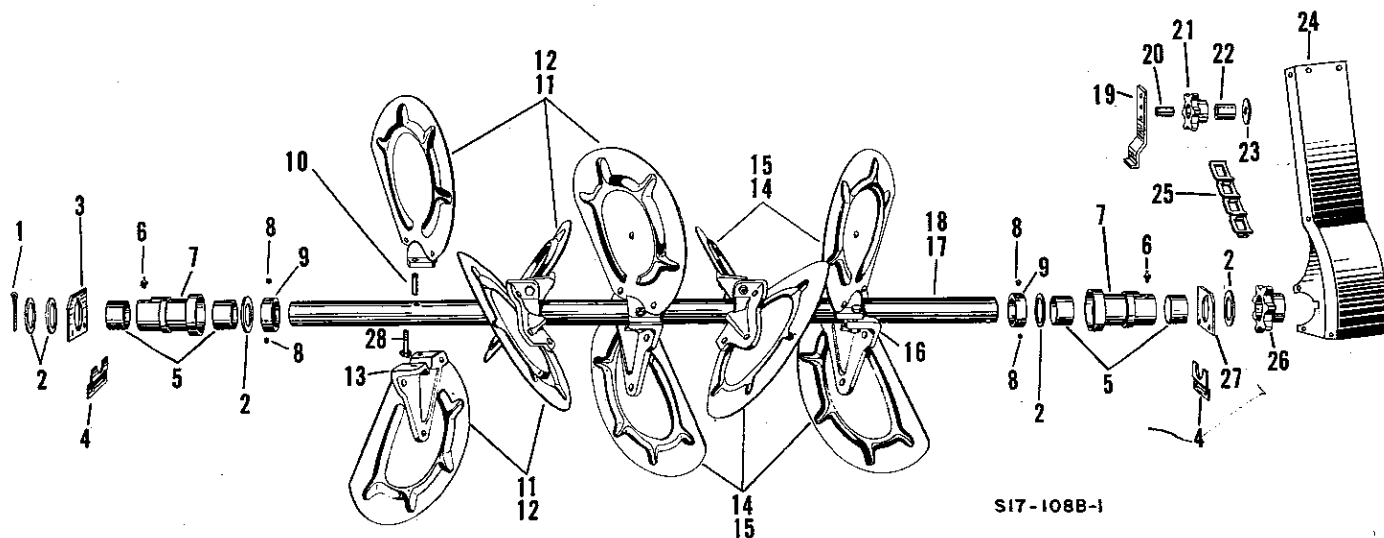
S17-107B-I

LOT 371 to 417

Ref.	Part No.	Description	Lot No.	Wt. Lbs.
1	K 872	Washer, 1-3/4" O.D., 1-1/32" I.D., 1/16" thick (2 used)	371 to 417	1 oz.
2	K 615	Grease fitting, 1/8" pipe thread, 45 degree elbow (2 used)	371 to 417	1 oz.
3	K 1107	Cotter pin, 5/16 x 1-1/4"	371 to 417	1 oz.
4	L 358	Upper cylinder bearing, left, 1" bore	371 to 417	1-1/4
5	A 399 S	Upper cylinder bearing plate, left, 3/16 x 4" long Bolt, carriage, 3/8 x 7/8" (2 used)	371 to 417	1
6	K 1185	Set screw, 1/2 x 1", cup point (2 used)	371 to 417	1 oz.
7	K 589	Key Woodruff, No. 13, 3/16" thick, 1" long, (3 used)	371 to 417	1 oz.
8	48 SR	Upper cylinder head, 1" bore (2 used)	371 to 417	6
9	0509 SR	Upper cylinder shaft, 1" Rd., 53-7/8" long	371 to 417	12
10	A 0509 SR 74 SR 201694	Upper cylinder, with cylinder heads, bearing and sprocket Upper cylinder head, center, 1-1/16" bore (Order 201694) Upper cylinder head	371 to 417	35 4
11	0511 SRA	Upper cylinder bar assembly, with teeth, 1-3/8 x 1-3/8 x 5/32" angle, 46" long (2 used) Bolt, machine, 3/8 x 1" (3 used)	371 to 417	7-1/4
12	0512 SRA	Upper cylinder bar assembly, with teeth, 1-3/8 x 1-3/8 x 5/32" angle, 46" long Bolt, machine, 3/8 x 1" (3 used)	371 to 417	7-1/4
13	1527 S	Cylinder bar tooth with rivet (20 used) Rivet, 5/16 x 3/4" oval head (2 used)	371 to 417	1/2
14	A 398 S	Upper cylinder bearing plate, right, 3/16 x 4" flat, 4" long Bolt, carriage 3/8 x 7/8" (2 used)	371 to 417	1
15	L 363	Upper cylinder bearing, right, 1" bore	371 to 417	1-1/4
16	0582 SR 0927 SR	Upper cylinder drive chain shield Order 0927 SR Upper cylinder drive chain shield	371 to 393 394 to 417	2-1/2 2-1/2
17	K 1189	Set screw, 1/2 x 1-1/4"	371 to 417	1 oz.
18	K 579	Jam nut, 1/2"	371 to 417	1 oz.
19	49 SR	14-tooth sprocket, No. 62 chain, 1" bore	371 to 417	6
20	L 548	12-tooth sprocket, 1" bore, No. 62 chain special	---	5
21	K 837	Washer, 1-3/8" O.D., 9/16" I.D., 1/16" thick, Order K 2881	371 to 393	1 oz.
22	K 2881	Washer, 1-3/8" O.D., 9/16" I.D., 1/16" thick galv.	394 to 417	1 oz.
23	K 2922	Spacer for idler sprocket, 3/4" O.D., 1/2" I.D., 1-9/16" long	371 to 417	3 oz.
24	69 SRA	6-tooth idler sprocket assembly with fiber bushing for No. 62 chain, 7/8" bore.	371 to 417	1
25	0564 SRA	Upper cylinder chain tightener assembly (Order 201678)	371 to 417	1
26	201678	Upper cylinder chain tightener assembly	---	---
27	0513 SRA	Upper cylinder bar assembly, with teeth, 1-3/8 x 1-3/8 x 5/32" angle, 46" long Bolt, machine, 3/8 x 1" (3 used)	371 to 417	7-1/4
28	62	No. 62 steel chain, 43 links	371 to 417	1 oz.
29	K 2921	Bushing, fiber, 7/8" O.D., 3/4" I.D., 1-7/16" long	371 to 417	2 oz.



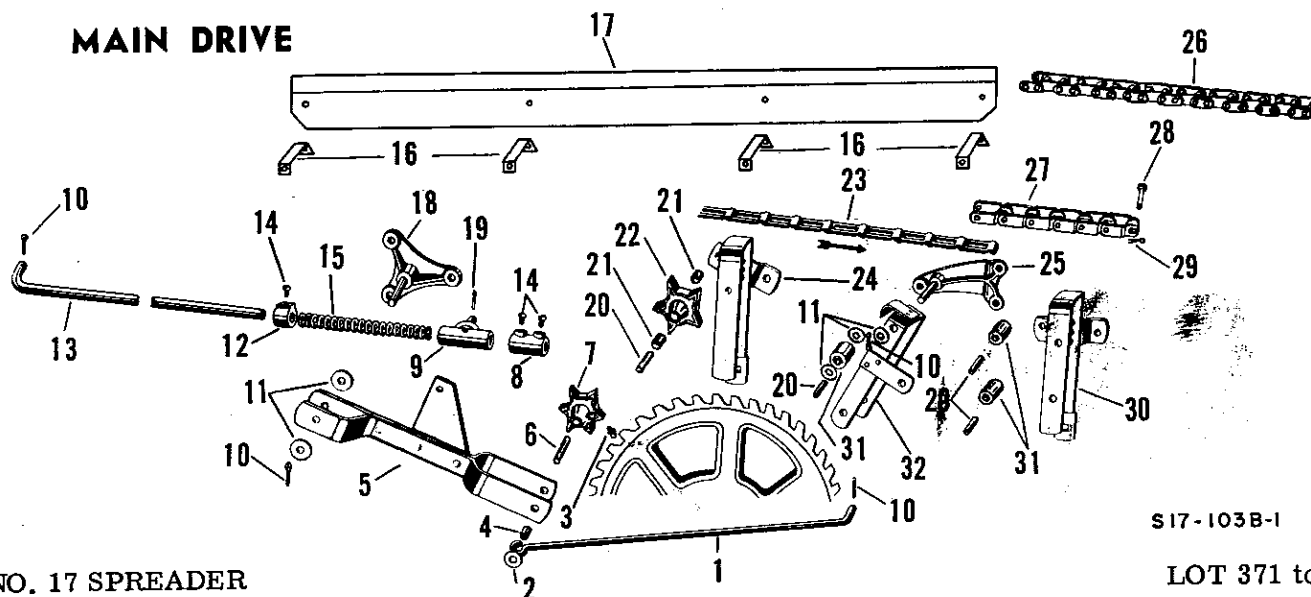
# DISTRIBUTER



S17-108B-1

Ref.	Part No.	Description	Lot No.	Wt. Lbs.
1	K 1096	Cotter pin, 1/4 x 2"		
2	K 1786	Washer, 2-1/2" O.D., 1-21/32" I.D., 3/32" thick (5 used)	371 to 417	2 oz.
3	0573 SR	Distributor bearing plate, left, 3/16 x 4" flat, 4-3/4" long	371 to 417	1 oz.
		Bolt, machine, 3/8 x 1" (2 used)	371 to 417	3/4
4	0574 SR	Keeper for distributor bearing, 1/8 x 1-3/4" flat 4" long (2 used)	371 to 380	1/4
	Order 0574-SR1	Keeper for distributor bearing plate	371 to 380	1/4
	0574 SR1	Keeper for distributor bearing plate	382 to 417	1/4
5	K 1841	Bushing, fiber, 1-7/8" O.D., 1-5/8" I.D., 1-1/2" long (4 used)	371 to 417	1 oz.
6	K 626	Grease fitting, 1/4" 28 thread, straight (2 used)	371 to 417	1 oz.
7	72 SRA	Distributor bearing assembly, 1-5/8" bore with 2 K-1841 bushings (2 used)	371 to 417	2-3/4
8	K 1349	Set screw, 5/16 x 3/8" low square head, cup point (4 used)	371 to 417	2 oz.
9	73 SR	Distributor shaft bearing collar, 1-5/8" bore (2 used)	371 to 417	
	155 SRA	Wiper arm assembly (right)		
	156 SRA	Wiper arm assembly (left)		
10	0604 SR	Pin for distributor paddle, 3/8" Rd., 2-5/16" long (10 used)	371 to 417	1 oz.
11	0571 SRA	Distributor paddle assembly, left with casting (5 used). Order 0571-SRA3	371 to 373	5 lbs.
	0571 SRA1	Distributor paddle assembly, left with casting (5 used)	378 to 417	5-1/4
	0571 SRA3	Distributor paddle assembly, left with casting		
12	0571 SR	Distributor paddle, left, (Order 200049)	371 to 373	2-1/2
	0571 SR1	Distributor paddle, left (Order 200049)	378 to 417	2-1/2
	200049	Distributor paddle, left		
13	71 SR	Distributor paddle bracket, L.H.	371 to 417	2-3/4
14	0572 SRA	Distributor paddle assembly with casting, right, (5 used) Order 0572-SRA1	371 to 373	5 lbs.
	0572 SRA1	Distributor paddle assembly with casting, right, (5 used)	378 to 417	5-1/4
		Bolt, machine, 3/8 x 1-1/2" (2 used)		
15	0572 SR	Distributor paddle, right, Order 200050	371 to 373	2-1/2
	0572 SR1	Distributor paddle, right	378 to 417	2-1/2
	200050	Distributor paddle, right		
16	70 SR	Distributor paddle bracket, R.H.	371 to 417	2-3/4
17	0570 SR	Distributor shaft, 1-5/8" diam., 48" long	371 to 417	11-1/2
18	A 0570 SRA	Distributor complete with paddles, bearing and sprockets	371 to 417	70
19	0566 SR	Distributor chain tightener bracket, 3/8 x 1-1/2" flat, 9-1/4" long	371 to 417	1
		Bolt, machine, 3/8 x 1-1/4"		
20	K 2922	Spacer, 3/4" O.D., 1/2" I.D., 1-9/16" long	371 to 417	1/4
21	69 SRA	6-tooth idler sprocket, 7/8" bore, with K-2921 bushing, No. 62 chain	371 to 417	1
		Bolt, machine, 1/2 x 2-3/4"		
22	K 2921	Bushing, fiber, 7/8" O.D., 49/64" I.D., 1-7/16" long	371 to 417	1 oz.
23	K 2881	Washer, 1-3/8" O.D., 9/16" I.D., 1/16" thick	371 to 417	1 oz.
24	0599 SRA	Distributor drive chain shield	371 to 417	2-1/2
		Bolt, carriage, 5/16 x 3/4" bastard head		
25	62	No. 62 steel chain, 42 links	371 to 417	1 oz.
26	51 SR	7-tooth sprocket, for No. 62 chain, 1-5/8" bore, Order 81-SR	371 only	2
	81-SR	7-tooth sprocket for No. 62 chain, 1-5/8" bore	373 to 417	2-1/4
		Rivet, 3/8 x 2-1/2", button head		
27	0598 SR	Distributor bearing plate, right, 3/16 x 4" flat, 4-3/4" long	371 to 417	3/4
		Bolt, machine, 3/8 x 1" (2 used)		
28	K 4416	Bolt, machine, 3/8 x 1-1/2" hardened for paddles	371 to 417	1 oz.

## MAIN DRIVE



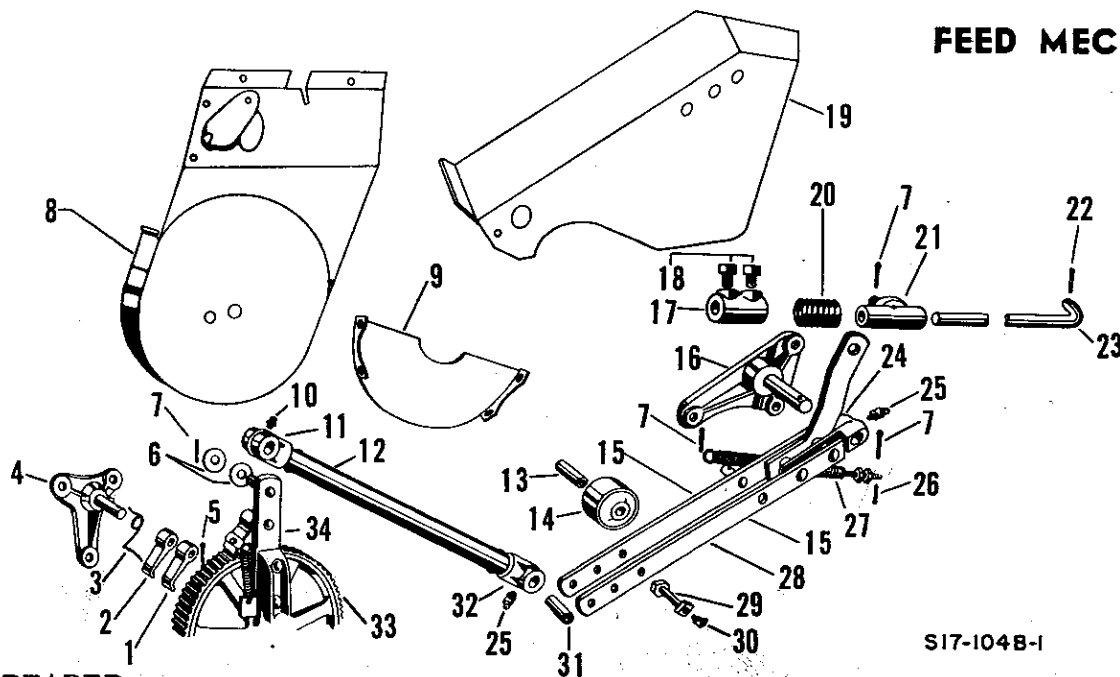
S17-103B-1

## NO. 17 SPREADER

LOT 371 to 417

Ref.	Part No.	Description	Lot No.	Wt. Lbs.
1	1240 S	Auxiliary drive rod, 1/2" Rd., 33-1/8" long	371 to 417	2
2	K 836	Washer, 1-3/8" O.D., 7/16" I.D., 16 gauge	371 to 417	1 oz.
3	K 610	Grease fitting, 5/16" drive type	371 to 417	1 oz.
4	1282 S	Bushing, 19/32" O.D., 9/16" long	371 to 417	1 oz.
5	A 375 SA 1	Drive arm, complete with sprocket	371 to 417	7-1/4
6	378 S	Bushing, 19/32" O.D., 2-5/16" long	371 to 417	1 oz.
7	L 342	6-tooth idler sprocket	371 to 417	1-3/4
		Bolt, carriage, 3/8 x 4"		
8	L 314	Double set collar	371 to 417	1/2
9	L 316	Slide collar	371 to 417	1/2
10	K 1081	Cotter pin, 3/16" dia., 1" long (4 used)	371 to 417	1 oz.
11	K 847	Washer, 1-1/2" O.D., 21/32" I.D., 13 gauge (5 used)	371 to 417	1 oz.
12	L 300	Single set collar	371 to 417	1/4
13	0518 SR	Drive rod, 9/16 dia., 69-3/8" long	371 to 417	4
14	K 1155	Set screw, 3/8" dia., 5/8" long (3 used)	371 to 417	1 oz.
15	1507 S	Compression spring, 7/8" O.D., 7" long, 23 coils	371 to 417	1/4
16	0579 SR	Support bracket for main drive chain shield, 3/16 x 1-1/4" flat 6" long (4 used)	371 to 417	1/4
		Machine screw, 5/16 x 3/4" (2 used)		
17	0578 SR	Main drive chain shield, 4-9/16 x 75-3/16" long, 18 gauge	371 to 417	4-3/4
		Machine screw, 5/16 x 5/8" (4 used)		
18	L 486 A	Drive arm post with pin	371 to 417	2-3/4
		Bolt, carriage, 3/8 x 1-1/2"		
		Bolt, carriage, 3/8 x 1-3/4" (2 used)		
19	K 1082	Cotter pin, 3/16" Dia., 1-1/4" long	371 to 417	1 oz.
20	1504 S	Bushing, 19/32" O.D., 2-7/16" long (4 used)	371 to 378	1 oz.
	K 3094	Spacer, 19/32" O.D. x 2-7/16" long	378 to 417	
21	K 2870	Bushing, fiber, 7/8" O.D., 5/8" I.D., 1" long (2 used)	371 to 417	1 oz.
22	L 574 A	5-tooth idler sprocket with fiber bushings	371 to 417	1-1/2
		Bolt, machine, 3/8 x 3-3/4"		
23	72	Steel chain link (complete chain 71 links)	371 to 417	2 oz.
24	969 SA 2	Front chain straddler with bracket	371 to 417	3
		Bolt, carriage, 3/8 x 1-1/2" (3 used)		
25	L 494 A	Auxiliary drive arm post with pin	371 to 417	3
		Bolt, carriage, 3/8 x 1-1/2"		
		Bolt, carriage, 3/8 x 1-3/4" (2 used)		
26	1739 S	Main drive chain, No. 770 tubular chain, 71 links, Order 0662-SRA	371 to 378	16
	K 2266 A	Offset link assembly	371 to 378	1
	K 2267 A	Pin link assembly	371 to 378	1/2
	K 2268 A	Roller link assembly	371 to 378	1/2
27	0662 SRA	Main drive chain complete, 71 links, No. 672 steel pintle chain	379 to 417	16-1/2
	K 3097 A	Detachable link, No. 672 steel pintle chain with pins and cotter pin	371 to 378	1/2
28	K 3096 A	Pin, 5/16" dia., x 1-7/8" long	371 to 378	1 oz.
29	K 1066	Cotter pin, 3/32" dia. x 1/2" long	371 to 417	1 oz.
30	977 SA 1	Rear chain straddler with bracket. Order 977 SA 2	371 to 382	3
		Bolt, carriage, 3/8 x 1-1/2" (3 used)		
	977 SA 2	Rear chain straddler with bracket	384 to 417	3
31	L 418	Roller for drive chain guides (3 used)	371 to 417	1
		Bolt, machine, 3/8 x 3-1/2"		
32	1237 SA	Auxiliary drive arm	371 to 417	3

## FEED MECHANISM



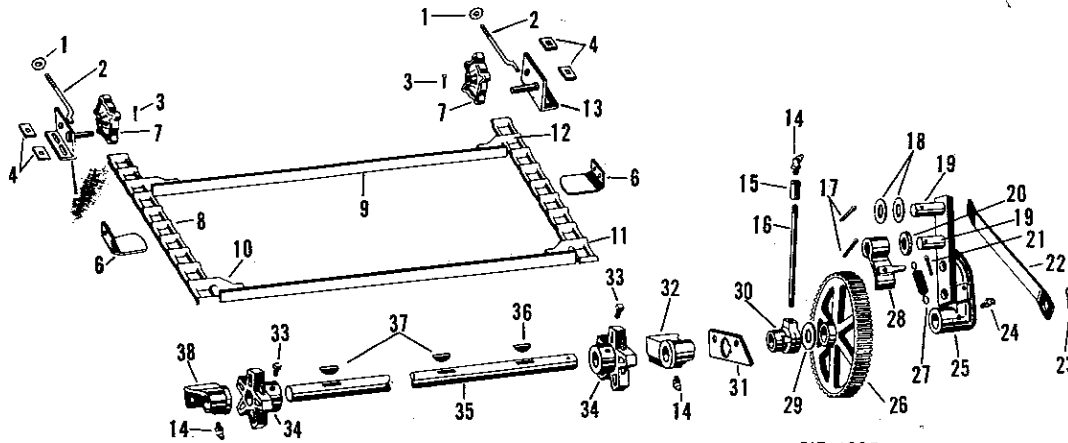
S17-1048-I

## NO. 17 SPREADER

LOT 371 to 417

Ref.	Part No.	Description	Lot No.	Wt. Lbs.
1	L 302	Retention pawl, short .....	371 to 417	1/2
2	L 304	Retention pawl, long .....	371 to 417	1/2
3	1440 S	Torsion spring .....	371 to 417	1 oz.
4	L 532 A	Retention pawl support with pin .....	371 to 417	1-1/2
		Bolt, carriage, 3/8 x 1-1/2" (3 used) .....		
5	K 1072	Cotter pin, 1/8" dia., 1" long .....	371 to 417	1 oz.
6	K 1768	Washer, 1-1/2" O.D., 29/32" I.D., 1/16" thick .....	371 to 417	1 oz.
7	K 1082	Cotter pin, 3/16" dia., 1-1/4" long (4 used) .....	371 to 417	1 oz.
8	0581 SRA	Ratchet wheel shield. Order 1073 SA .....	371 to 393	5-1/2
	1073 SA	Ratchet wheel shield .....	394 to 417	5-1/2
		Bolt, carriage, 5/16 x 1-1/4" (2 used) .....		
9	1232 S	Inner ratchet wheel shield .....	371 to 417	1
		Bolt, carriage, 1/4 x 1/2" (4 used) .....		
10	K 621	Grease fitting, 1/8" pipe thread, straight .....	371 to 417	1 oz.
11	L 474	Upper insert for feed arm tube .....	371 to 417	1-1/4
		Rivet, oval head, 1/4 x 1-3/4" .....		
12	966 SA	Feed mechanism connecting tube .....	371 to 417	5-3/4
13	1331 S	Bushing for feed roller, 1" O.D., 1-15/16" long .....	371 to 417	1/4
14	L 515	Roller for feed arm .....	371 to 417	1-3/4
15	1328 S	Feed hanger arm, 1/4 x 1-3/4" flat, 16-1/2" long (2 used) .....	371 to 417	2-3/4
16	L 478 A	Auxiliary feed arm post with pin .....	371 to 417	3
		Bolt, carriage, 3/8 x 1-3/4" .....		
		Bolt, carriage, 3/8 x 2" (2 used) .....		
17	L 314	Double set collar .....	371 to 417	1/2
18	K 1155	Set screw, 3/8" dia., 5/8" long (2 used) .....	371 to 417	1 oz.
19	1329 SA	Auxiliary feed arm shield .....	371 to 417	4
		Bolt, machine, 5/16 x 3/4" .....		
20	1435 S	Compression spring, 1-5/16" O.D., 2-3/4" long, 5 coils .....	371 to 417	1/4
21	L 316	Slide collar .....	371 to 417	1/2
22	K 1081	Cotter pin, 3/16" dia., 1" long .....	371 to 417	1 oz.
23	0518 SR	Feed rod, 9/16" Rd. 68-3/4" long .....	371 to 417	6-1/2
24	L 472	Auxiliary feed arm bearing with rivets .....	371 to 417	2
		Rivet, wagon box head, 3/8 x 3" (2 used) .....		
25	K 615	Grease fitting, 1/8" pipe thread, 45 degree elbow (2 used) .....	371 to 417	1 oz.
26	K 1067	Cotter pin, 3/32" dia., 3/4" long .....	371 to 417	1 oz.
27	1512 S	Extension spring with bolt, 7/8" O.D., 5-1/2" long overall, 39 coils .....	371 to 417	1/4
28	A 1328 S	Feed hanger arm with stud, 1/4 x 1-3/4" flat 16-1/2" long .....	371 to 417	2-3/4
29	1330 S	Feed roller bolt, 5/8" dia., 2 7/8" long .....	371 to 417	1/4
30	K 624	Grease fitting, 1/8" pipe thread, 90 degree elbow .....	371 to 417	1 oz.
31	965 S	Bushing, 7/8" O.D., 1-15/16" long .....	371 to 417	1/4
		Bolt, machine, 1/2 x 3-1/4" with lock washer .....		
32	L 480	Lower insert for feed arm tube .....	371 to 417	1-1/4
		Rivet, oval head, 1/4 x 1-3/4" .....		
33	L 383	Ratchet wheel, 1-1/16" bore, uses K 600 key .....	371 to 417	12-1/4
34	L 481 A	Feed arm complete with pawl and spring .....	371 to 417	7

## FEED SHAFT AND CONVEYOR



S17-102B-1

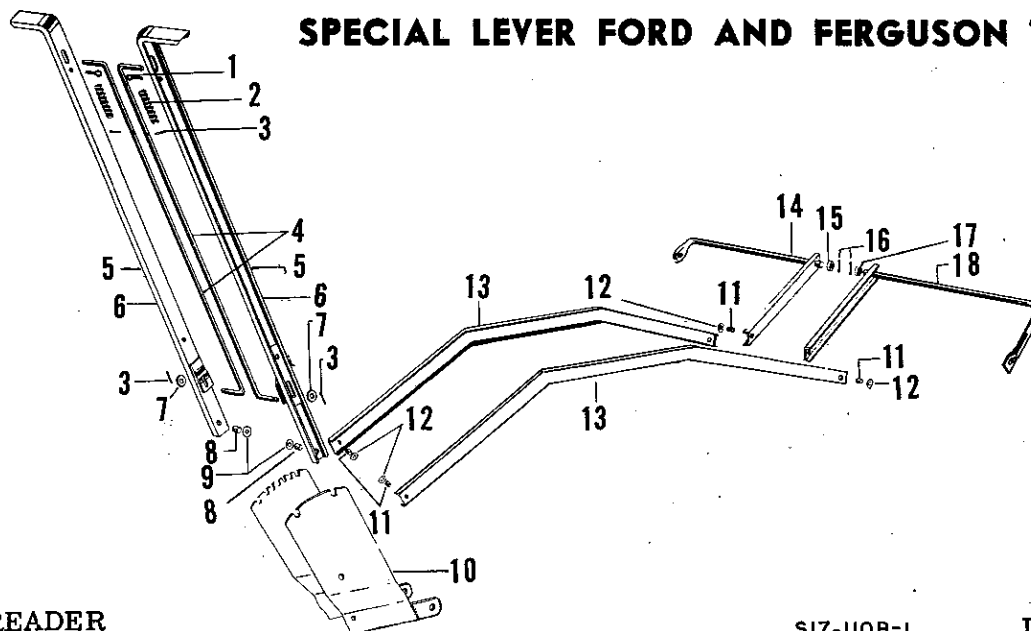
NO. 17 SPREADER

LOT 371 to 417

Ref.	Part No.	Description	Lot No.	Wt. Lbs.
1	K 826	Washer, 1-1/4" O.D., 1/2" I.D., 1/16" thick (2 used).....	371 to 417	1 oz.
2	0563 SR	Conveyor tightener rod, 7/16" Dia., 8-5/8" long (2 used).....	371 to 417	1/2
3	K 1081	Cotter pin, 3/16" Dia., 1" long (2 used).....	371 to 417	1 oz.
4	0567 SR	Clamp strap for conveyor tightener, 3/16" x 1" flat, 1-1/2" long (4 used).....	371 to 417	2 oz.
5	0561 SRA	Conveyor tightener with stud, left, Order 0561 SRA-1.....	371 to 412	2-1/2
	0561 SRA-1	Conveyor tightener with stud, left.....	417 only	2-1/2
6	939 S	Conveyor slide complete, 1/8 x 3" flat, 3-11/16" long..... Bolt, machine, 5/16 x 3/4" (2 used)	371 to 417	3/4
7	L 473	5-tooth idler sprocket.....	371 to 417	1-1/2
8	67	Plain steel chain link, Order 67 H.....	371 to 412	2 oz.
	67 H	Plain steel chain link.....	417 only	2 oz.
9	AA 444 S	Conveyor bar with attachment links, 1-3/8 x 1 x 5/32" angle, 36-1/4" long.....	371 to 399	3-1/2
	01164 SRA	Conveyor bar with attachment links, 1-3/8 x 1 x 3/16" angle, 32-3/16" long.....	401 to 417	3-1/2
10	67 ARS	Steel attachment link, left, Order 67 HARS.....	371 to 412	3 oz.
	67 HARS	Steel attachment link, left.....	417 only	3 oz.
11	67 ALS	Steel attachment link, right, Order 67 HALS.....	371 to 412	3 oz.
	67 HALS	Steel attachment link, right.....	417 only	3 oz.
12	1625 SA	Conveyor with 57 steel chain and AA 444 S bars; (176) 67 plain links, (16) 67-ARS and (16) 67-ALS attachment links; 8 bars each followed by 5 plain links and 8 bars each followed by 6 plain links, order 01167 SRA.....	371 to 388	100
	0895 SRA	Conveyor chain assembly with 13 AA 444 S bars; (182) 67 steel link (13) ARS and (13) ALS attachment links. Assemble (1) bar followed by (7) plain links for (13) consecutive units, Order 01167 SRA.....	389 to 399	90
	01167 SRA	Conveyor chain assembly with (13) 01164 SRA bars with 67 HARS and 67 HALS attachment links, (182) No. 67 H steel links, assem- ble 1 bar followed by 7 plain links for 13 consecutive units.....	401 to 417	102
13	0562 SRA	Conveyor tightener with stud, right, Order 0562 SRA-2.....	371 to 412	2-1/2
	0562 SRA-1	Conveyor tightener with stud, right, Order 0562 SRA-2.....	417 only	2-1/2
	0562 SRA-2	Conveyor tightener with stud, right.....		
14	K 622	Grease fitting, 1/8" pipe thread, 30-degree elbow (3 used).....	371 to 417	1 oz.
15	K 655	Pipe coupling, 1/8".....	371 to 417	1 oz.
16	K 660	Pipe nipple, 1/8" I.D., 8" long.....	371 to 417	3 oz.
17	K 1082	Cotter pin, 3/16 x 1-1/4" (2 used).....	371 to 417	1 oz.
18	K 1768	Washer, 1-1/2" O.D., 29/32" I.D., 3/32" thick (2 used).....	371 to 417	1 oz.
19	1556 S	Stud for feed arm tube and pawl, 7/8" dia., 2-3/4" long (2 used).....	371 to 417	1/4
20	1585 S	Feed pawl spacer, 1-1/4" O.D., 7/16" thick.....	371 to 417	1/4
21	K 1071	Cotter pin, 1/8" dia., 3/4" long.....	371 to 417	1 oz.
22	975 S	Feed shaft brace, 1/4 x 1-1/2" flat, 22-1/2" long, Order 0852 SRA.....	371 to 412	2-1/2
	0852 SRA	Feed shaft brace, 1/4 x 1-1/2" flat, 22-1/2" long..... Bolt, machine, 7/16 x 1"	417 only	2-1/2
23	K 1108	Cotter pin, 5/16" dia., 1-1/2" long.....	371 to 417	1 oz.
24	K 623	Grease fitting, 1/8" pipe thread, 67-1/2 degree elbow.....	371 to 417	1 oz.
25	L 481 A	Feed arm, complete with pawl and spring.....	371 to 417	7
26	L 383	Ratchet wheel, 1-1/16" bore, uses K-600 key.....	371 to 417	12-1/4

## FEED SHAFT AND CONVEYOR (CON'T)

Ref.	Part No.	Description	Lot No.	Wt.Lbs.
27	1439 S	Extension spring, 5/8" O.D., 2-1/4" long, overall 20 coils .....	371 to 417	2 oz.
28	311 SA	Feed pawl, 1/4 x 1-1/4" flat, 5-3/4" long .....	371 to 417	3/4
29	K 1868	Washer, 1-3/4" O.D., 1-3/32" I.D., 5/64" thick .....	371 to 417	1 oz.
30	L 498	Angle feed bearing, 1-1/16" bore .....	371 to 417	3/4
31	1641 S	Angle feed bearing plate, 3/16 x 3" flat, 5-1/8" long .....	371 to 417	1
32	L 469	Feed bearing, right, 1-1/16" bore .....	371 to 417	2
		Bolt, machine, 3/8 x 1" (2 used)		
33	K 1156	Set screw, 3/8" dia., 5/8" long, low head (2 used) .....	371 to 417	1 oz.
34	L 347	5-tooth feed sprocket, 1-1/16" bore, uses K-589 key (2 used) (Order 201341) .....	371 to 417	2
	201341	5-tooth feed sprocket, 1-1/16" bore .....		
35	1067 S	Shaft, 1-1/16" Rd., 47" long. Uses K-589 and K-600 keys .....	371 to 417	11-3/4
36	K 600	No. 20 woodruff key, 7/32" thick, 1-1/4" long .....	371 to 417	1 oz.
37	K 589	No. 13 woodruff key, 3/16" thick, 1" long (2 used) .....	371 to 417	1 oz.
38	L 470	Feed bearing, left, 1-1/16" bore .....	371 to 417	2
		Bolt, machine, 3/8 x 1" (2 used)		



## SPECIAL LEVER FORD AND FERGUSON TRACTORS

NO. 17 SPREADER

S17-110B-1

LOT 371 to 417

Ref.	Part No.	Description	Lot No.	Wt.Lbs.
1	023 HS	Cotter pin, 5/16" Dia., 3/4" long (2 used) .....	371 to 417	1 oz.
2	1285 S	Compression spring, 11/16" O.D., 3-5/8" long, 14-1/2 coils .....	371 to 417	2 oz.
3	K 1071	Cotter pin, 1/8" dia., 3/4" long (4 used) .....	371 to 417	1 oz.
4	1271 S	Lever latch, 3/8" Rd., 35-1/2" long .....	371 to 417	1
5	A 1270SA	Main lever complete, with latch and spring, Order 0654-SRA .....	371 only	7
		Bolt, machine, 1/2 x 1-1/4"		
	0654 SRA	Main lever complete with latch and spring .....	378 to 417	6-3/4
		Bolt, machine, 1/2 x 1-1/4"		
6	1270 SA	Lever with clips .....	371 to 417	5
7	K 814	Washer, 1" O.D., 7/16" I.D., 16 guage (2 used), Order K-2880 .....	371 to 384	1 oz.
	K 2880	Washer, 1" O.D., 7/16" I.D., 16 gauge, electro galv. ....	388 to 417	1 oz.
8	1283 S	Bushing, 11/16" O.D., 3/16" long (2 used) .....	371 to 417	1 oz.
9	K 2881	Washer, 1-3/8" O.D., 9/16" I.D., 16 guage galv. (2 used) .....	371 to 417	1 oz.
10	0650 SRA	Lever sector assembly complete .....	371 to 417	13
		Bolt, machine, 5/8 x 4-3/4" (2 used)		
11	K 1651	Bushing, 9/16" O.D., 7/32" long (4 used) .....	371 to 417	2 oz.
12	K 2880	Washer, 1" O.D., 7/16" I.D., 16 guage galv. (6 used) .....	371 to 417	1 oz.
13	0651 SR	Push bar, 1-15/32 x 15/32 x 5/32" channel, 50-3/4" long .....	371 to 417	5-1/2
14	0653 SRA	Feed rod control shaft, with lever base, 1" Rd., 21-1/4" long .....	371 to 417	6
15	1463 S	Spacer, 1" I.D., 1/4" long .....	371 to 417	1 oz.
16	K 1083	Cotter pin, 3/16" Dia., 1-1/2" long (2 used) .....	371 to 417	1 oz.
17	0648 SR	Spacer for drive lever, 1" std. black pipe, 5/8" long .....	371 to 417	1 oz.
18	0652 SRA	Drive rod control shaft, with lever base, 1" Rd., 25-7/8" long .....	371 to 417	7